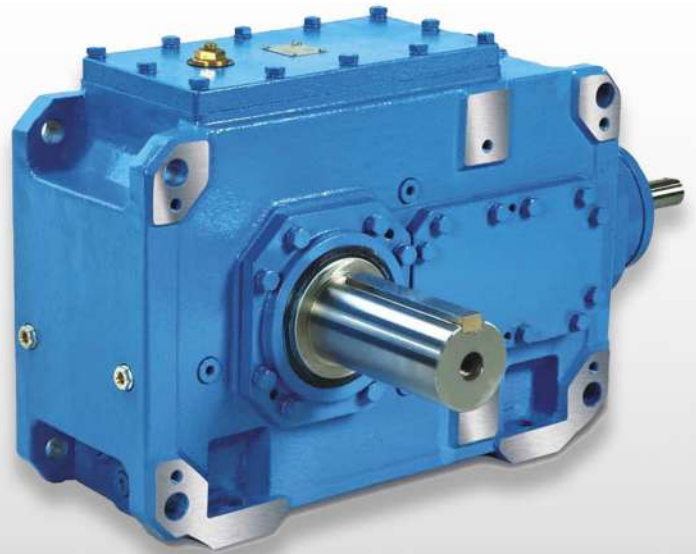




# GEARBOX-WORLD

**H** 系列斜齿齿轮箱  
Series Industrial helical Gear unit

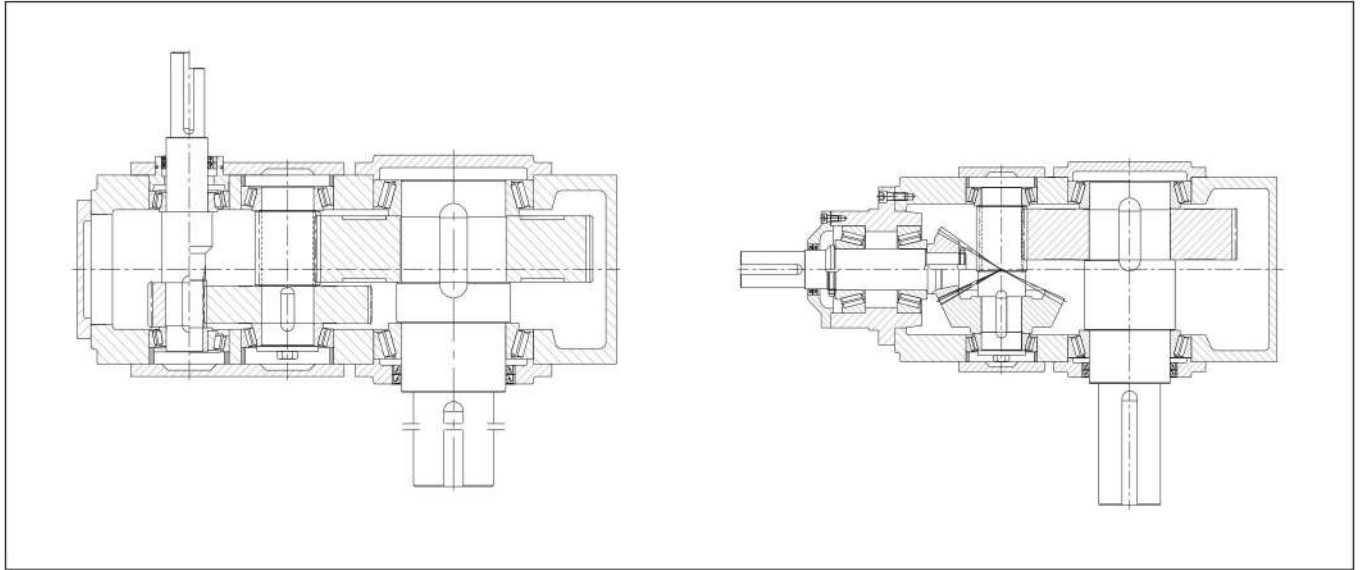
**B** 系列螺旋锥齿轮-斜齿轮齿轮箱  
Series Industrial Bevel-helical Gear unit



Website : [www.gearbox-world.com](http://www.gearbox-world.com)  
Email: [info@gearbox-world.com](mailto:info@gearbox-world.com)

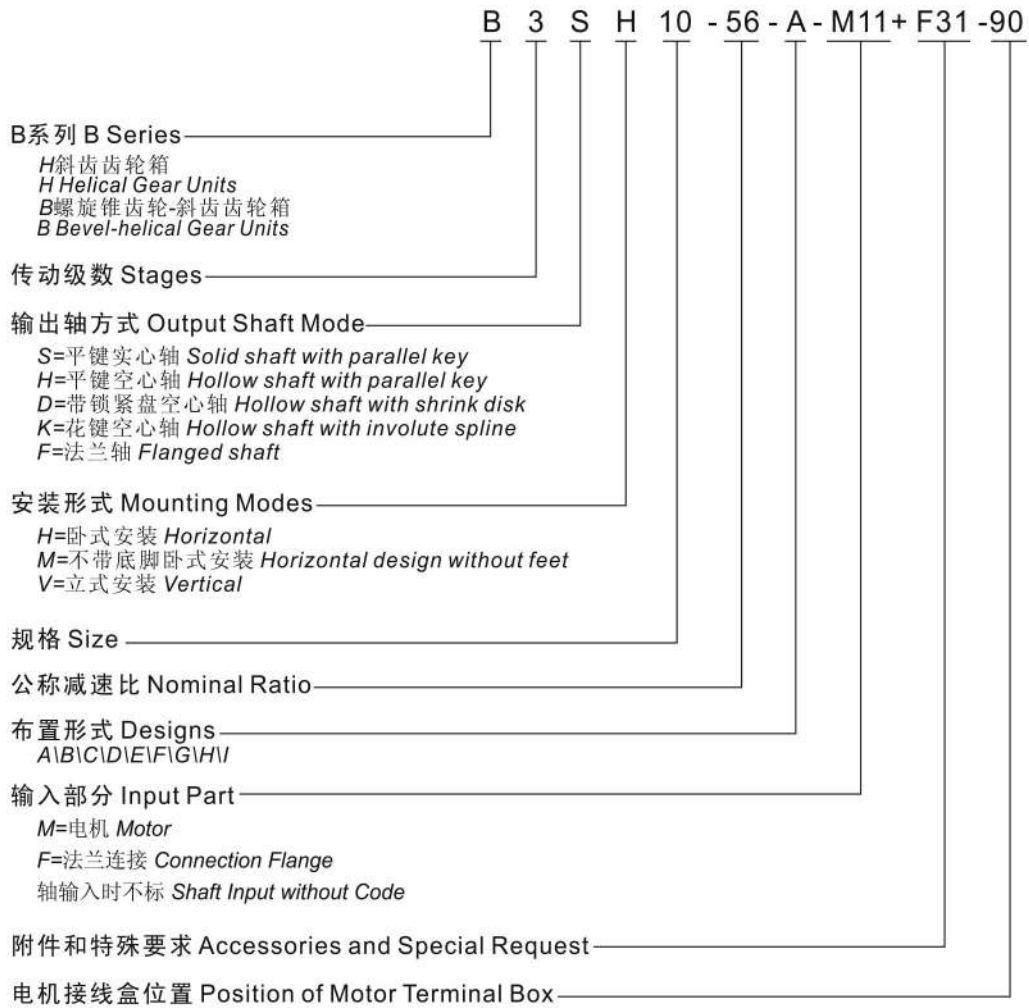
1 结构示意图:

1 Sectional Drawings:



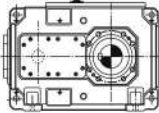
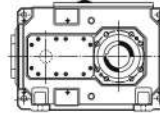
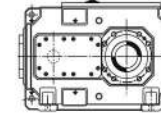
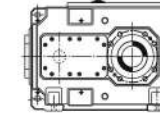
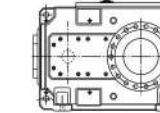

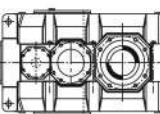
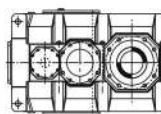
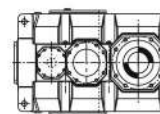
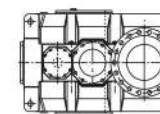
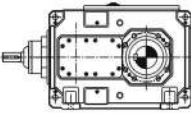
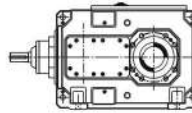
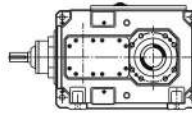
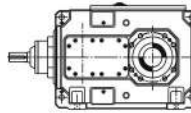
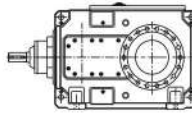

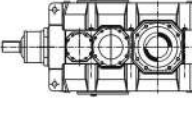
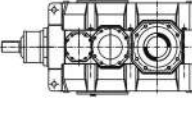
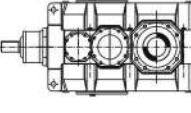
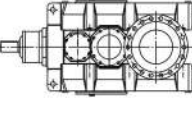
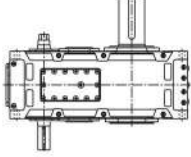
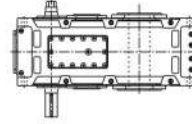
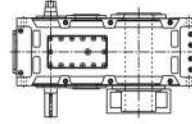
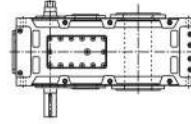
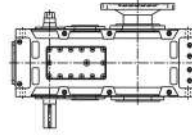

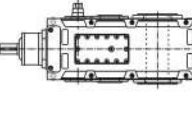
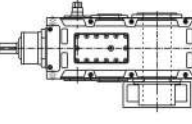
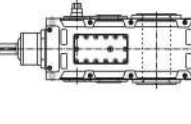
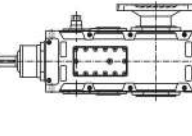
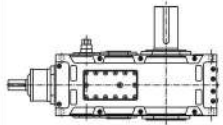
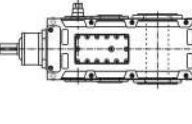
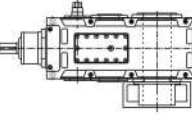
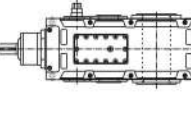
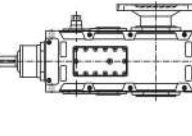
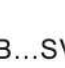
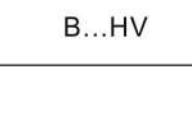
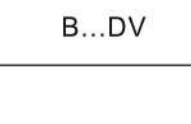
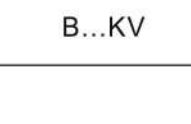

2 型号表示方法:

2 Type Designation



3 安装形式：

3 Mounting modes :

卧式安装 Horizontal					
	平键实心轴 Solid shaft with parallel key	平键空心轴 Hollow shaft with parallel key	带锁紧盘空心轴 Hollow shaft with shrink disk	渐开线花键空心轴 Hollow shaft with involute spline	法兰轴 Flanged shaft
H系列 H series  iN= 1.25-450	 H...SH	 H...HH	 H...DH	 H...KH	 H...FH
		 H...HM	 H...DM	 H...KM	 H...FM
B系列 B series  iN= 5-400	 B...SH	 B...HH	 B...DH	 B...KH	 B...FH
		 B...HM	 B...DM	 B...KM	 B...FM
立式安装 Vertical					
	平键实心轴 Solid shaft with parallel key	平键空心轴 Hollow shaft with parallel key	带锁紧盘空心轴 Hollow shaft with shrink disk	渐开线花键空心轴 Hollow shaft with involute spline	法兰轴 Flanged shaft
H系列 H series  iN= 6.3 - 450	 H...SV	 H...HV	 H...DV	 H...KV	 H...FV
		 B...HV	 B...DV	 B...KV	 B...FV
B系列 B series  iN= 5 - 400	 B...SV	 B...HV	 B...DV	 B...KV	 B...FV
		 B...HV	 B...DV	 B...KV	 B...FV

HB

4 选型及举例:

4 Type Selection and Example:

序号 Steps	说明 Description	代号 Symbols	参数计算 Parameters Calculation and Guidelines						
1	被驱动设备系数 Driven Machine Factor	f1	查6/HB页f1表 Refer to f1 table on P 6/HB.						
2	原动机系数 Prime Mover Factor	f2	原动机系数 Prime Mover Factor		f <sub>2</sub>				
			电机、液压马达、汽轮机 Electric motor, hydraulic motor, turbine		1.0				
			4-6缸活塞发动机, 周期变化1: 100至1: 200 Piston engine with 4-6 cylinders, cyclic variation 1:100 to 1:200		1.25				
			1-3缸活塞发动机, 周期变化1: 100 Piston engine with 1-3 cylinders, cyclic variation 1:100		1.5				
3	齿轮箱可靠度系数 Factor for gear unit reliability	SF	查7/HB页SF表 Refer to SF table on P 7/HB.						
4	输入转速 Input Speed	n1	≤1500r/min 更高转速请来电咨询 Consult us if higher speed required.						
5	输入与输出轴关系 Shaft Arrangement	H、B	平行选H系列, 垂直选B系列 H: Helical gear units; B: Bevel-helical gear units						
6	确定减速比 Calculation of the ratio	i	i=n1/n2						
7	齿轮箱传动效率 Transmission Efficiency	η	单级single stage:98%, 二级2-stage:96%, 三级3-stage:94%, 四级4-stage:92%						
8	以被驱动设备所需的扭矩或功率, 确认齿轮箱输入功率 Calculate the input power of the gear unit on basis of the torque and power required by the driven machine.	P1	P1=T2 · n1/(9550 · i · η) 或 P1=P2/η						
9	根据计算, 查传动能力表, 确定齿轮箱机座号 Determination of gear unit type referring to the table of Transmission Capacity.	T2N、P1N	T2N ≥ T2 · f1 · f2 · SF 或 (or) P1N ≥ P1 · f1 · f2 · SF 如果不满足条件: 3.33 · P1 ≥ P1N, 请向我们咨询。 If 3.33 · P1 ≥ P1N is not met, please consult us.						
10	峰值扭矩校核* Check Peak Torque	TA	P <sub>IN</sub> ≥ TA · n1 · f3/9550	f3		每小时峰值负荷次数 Load peaks per hour			
				单向载荷 Steady direction of load		1-5	6-30	31-100	> 100
				交变载荷 Alternating direction of load		0.5	0.65	0.7	0.85
				0.7	0.95	1.10	1.25		
11	选定连接安装和附件后, 校核轴许用强度 Check permissible strength of the shaft after output mode and accessories are selected.	Fr1/Fr2 Fa1/Fa2	当输入、输出轴为皮带轮、链轮或齿轮等有明显附加径向力传动时必须校核径向力。 It is crucial to check radial forces on the shafts when input and output shafts are for pulleys, sprockets or gears. See 40-41/HB						
12	确认润滑方式、选择润滑油 (见附录) Determination of Lubrication Systems and Lubricants (See Annex)	卧式安装 Horizontal		立式安装 Vertical					
		可供选择的润滑方式Optional lubrications: a). 飞溅润滑 Splash b). 浸油润滑 Dip c). 强制润滑 Forced 轴端泵润滑 Shaft end pump 电动油泵润滑 Electric pump 用户自备稀油站润滑 User-supplied oil station		可供选择的润滑方式Optional lubrications: a). 浸油润滑 Dip b). 强制润滑 Forced 轴端泵润滑 Shaft end pump 电动油泵润滑 Electric pump 用户自备稀油站润滑 User-supplied oil station					
13	确认冷却方式 Determination of Cooling Systems		1 如满足以下条件, 则齿轮箱不带辅助冷却装置 Gear units without auxiliary cooling is sufficient, if P1 ≤ PGA × f4 × f8 2 如满足以下条件, 则齿轮箱带冷却风扇可满足要求, Gear units with fan is sufficient, if P1 ≤ PGB × f4 × f8 3 如满足以下条件, 则齿轮箱需带冷却盘管可满足要求, Gear units with cooling coil is sufficient, if P1 ≤ PGC × f5 × f8 4 如满足以下条件, 则齿轮箱需带冷却盘管和风扇可满足要求, Gear units with cooling coil and fan is sufficient, if P1 ≤ PGD × f5 × f8 5 另外齿轮箱可配置外置冷却附件: 风冷却器、水冷却器用户可以自己配置稀油站提供循环冷却油 External coolers can be configured: air or water cooler by users or circular cooling oil from dilution oil station. ( f4、f5、f8查7/HB)						
14	按型号表示方法确定各项 Determination of every item included in the type designation		型号表示方法见2/HB For details about type designation, see P2/HB						

\* 峰值扭矩: 最大负载扭矩, 是指启动、制动或最大脉动载荷所引起的最大扭矩。(一般工况条件下峰值扭矩为启动或制动时的最大扭矩)

\* Peak torque: max. load torque, e.g. peak starting, braking and operating torque. (Generally, it refers to peak starting or braking torque.)

## 选型举例

### Examples

**已知条件:****原动机:**

电机功率: 185kW

电机转速:  $n_1=1450\text{r/min}$ 最大启动扭矩:  $T_A=1850\text{N.m}$ 

(由用户提供数据, 如果无法提供则按照电机额定扭矩的1.6倍估算)

**被驱动设备(工作机):**

设备名称: 皮带输送机

设备转速:  $n_2=26\text{r/min}$ 使用功率:  $P_1=155\text{kW}$ 

工作制: 12小时/天

每小时启动次数: 7

每小时工作周期: 100%

环境温度:  $+40^\circ\text{C}$ 

安装空间: 室外安装

海拔高度: 500m

**齿轮箱:**

直交齿轮箱, 卧式安装, 带平键实心轴输出, 轴布置形式 C

输出轴旋转方向: 面向输出轴顺时针旋转

配逆止器(附件代号B11)

**选型步骤:**

## 1. 计算速比:

$$i=n_1/n_2=1450/26=55.769 \quad i_N=56$$

## 2. 确定齿轮箱的额定功率:

$$P_{1N} \geq P_1 \cdot f_1 \cdot f_2 \cdot S_F = 155 \times 1 \times 1.4 \times 1.2 = 260.4\text{kW}$$

根据传动能力表B3, 机座号14  $P_{1N}=308\text{kW}$ 

$$3.33 \cdot P_1 / \eta = 3.33 \times 155 / 0.94 = 549\text{kW} \geq P_{1N} \quad \text{满足要求}$$

## 3. 峰值扭矩校核:

$$P_{1N} \geq T_A \cdot n_1 \cdot f_3 / 9550 = 1850 \times 1500 \times 0.65 / 9550 = 189\text{kW}$$

$$P_{1N}=308\text{kW} \geq 189\text{kW} \quad \text{满足要求}$$

## 4. 校核热容量:

$$P_{G1} \cdot f_4 \cdot f_8 = 135 \times 0.75 \times 1 = 101\text{kW} \leq P_1 = 155\text{kW} \quad \text{不满足要求}$$

$$P_{G2} \cdot f_4 \cdot f_8 = 330 \times 0.75 \times 1 = 248\text{kW} \geq 155\text{kW} \quad \text{满足要求}$$

所以齿轮箱配置冷却风扇可以满足热容量要求,

风扇附件代号为F21

5. 确定型号: **B3SH14-56-C-F21-B11****Prime mover****Known Criteria:**

Motor Power: 185kW

Motor Speed:  $n_1=1450\text{r/min}$ Peak starting torque:  $T_A=1850\text{N.m}$ (This value is usually provided by the users. If not, normal torque  $\times 1.6$  prevails)**Driven machine:**

Name: belt conveyer

Speed:  $n_2=26\text{r/min}$ Power:  $P_1=155\text{kW}$ 

Duty: 12h/d

Starts per hour: 7

Operating cycle per hour: 100%

Ambient temperature:  $+40^\circ\text{C}$ 

Place of installation: in the open

Altitude: 500m

**Gear Unit:**Bevel-helical, horizontal mounting, solid output shaft with parallel key  
Shaft design C

Direction of rotation of output shaft: clockwise when facing output shaft end

With backstop (Accessory code B11)

**Selection steps:**

## 1. Calculation of the ratio:

$$i=n_1/n_2=1450/26=55.769 \quad i_N=56$$

## 2. Determination of nominal power of the gear unit:

$$P_{1N} \geq P_1 \cdot f_1 \cdot f_2 \cdot S_F = 155 \times 1 \times 1.4 \times 1.2 = 260.4\text{kW}$$

In the table of transmission capacity, B3, size 14,  $P_{1N}=308\text{kW}$ ,

$$3.33 \times P_1 / \eta = 3.33 \times 155 / 0.94 = 549\text{kW} \geq P_{1N}, \text{ meets the requirement.}$$

## 3. Verification of peak torque:

$$P_{1N} \geq T_A \cdot n_1 \cdot f_3 / 9550 = 1850 \times 1500 \times 0.65 / 9550 = 189\text{kW}$$

$$P_{1N}=308\text{kW} \geq 189\text{kW}$$

## 4. Check of thermal capacity:

$$P_{G1} \cdot f_4 \cdot f_8 = 135 \times 0.75 \times 1 = 101\text{kW} \leq P_1 = 155\text{kW}, \text{ not acceptable}$$

$$P_{G2} \cdot f_4 \cdot f_8 = 330 \times 0.75 \times 1 = 248\text{kW} \geq 155\text{kW}, \text{ acceptable}$$

So gear unit with cooling fan is sufficient to meet the requirements of thermal capacity

Accessory code for fan: F21

5. The type selected: **B3SH14-56-C-F21-B11**

服务系数

Service Factors

表1 Table 1		被驱动设备系数 Driven machine Factor			f1				
被驱动设备 Driven machines		日带载运行时间 (小时) Effective daily operating period under load in hours			被驱动设备 Driven machines		日带载运行时间 (小时) Effective daily operating period under load in hours		
		≤ 2	> 2-10	> 10			≤ 2	> 2-10	> 10
污水处理 Waste water treatment	浓缩器(中心传动) Thickeners (central drive)	-	-	1.2	输送机械 Conveyors	-	-	-	
压滤器 Filter presses	絮凝器 Flocculation apparata	1.0	1.3	1.5	斗式输送机 Bucket conveyors	1.4	1.6	1.6	
曝气机 Aerators	曝气设备 Raking equipment	0.8	1.0	1.3	绞车 Hauling winches	-	1.5	1.8	
接集设备 Combined longitudinal and rotary rakes	浓缩器 Pre-thickeners	-	1.8	2.0	卷扬机 Hoists	1.0	1.2	1.3	
纵向、回转组 和式接集装置	螺杆泵 Screw pumps	1.0	1.2	1.3	皮带输送机 ≤150kW Belt conveyors 150 kW	1.1	1.3	1.4	
浓缩器 Screw pumps	水轮机 Water turbines	-	1.1	1.3	皮带输送机 ≥150kW Belt conveyors 150 kW	-	1.2	1.5	
螺杆泵 Screw pumps	泵 Pumps	-	1.3	1.5	货用电梯 * Goods lifts	-	1.2	1.5	
水轮机 Water turbines	离心泵 Centrifugal pumps	-	-	2.0	客用电梯 * Passenger lifts	-	1.5	1.8	
泵 Pumps	容积式泵 Positive-displacement pumps	-	1.0	1.2	刮板式输送机 Apron conveyors	-	1.2	1.5	
离心泵 Centrifugal pumps	1个活塞 1 piston	1.0	1.2	1.3	自动扶梯 Escalators	1.0	1.2	1.4	
容积式泵 Positive-displacement pumps	>1个活塞 >1 piston	1.3	1.4	1.8	轨道行走机构 Rail travelling gears	-	1.5	-	
1个活塞 1 piston		1.2	1.4	1.5	变频装置 Frequency converters	-	1.8	2.0	
>1个活塞 >1 piston					往复式压缩机 Reciprocating compressors	-	1.8	1.9	
					起重机械 ** Cranes				
挖泥机 Dredgers	斗式输送机 Bucket conveyors	-	1.6	1.6	回转机构 * Slewing gears		1.4	1.8	
倾卸装置 Dumping devices	倾卸装置 Dumping devices	-	1.3	1.5	俯仰机构 Luffing gears		1.1	1.4	
卡特pillar行走机构 Caterpillar travelling gears	卡特pillar行走机构 Caterpillar travelling gears	1.2	1.6	1.8	行走机构 Travelling gears		1.6	2.0	
斗式挖掘机 Bucket wheel excavators	斗式挖掘机 Bucket wheel excavators	-	1.7	1.7	提升机构 Hoisting gears		1.1	1.4	
用于捡拾 as pick-up	用于捡拾 as pick-up	-	2.2	2.2	转臂式起重机 Derricking jib cranes		1.2	1.6	
用于粗料 for primitive material	用于粗料 for primitive material	-	2.2	2.2					
切碎机 Cutter heads	切碎机 Cutter heads	-	2.2	2.2					
行走机构 * Traversing gears	行走机构 * Traversing gears	-	1.4	1.8					
					冷却塔 Cooling towers				
弯板机 Plate bending machines	弯板机 Plate bending machines	-	1.0	1.0	冷却塔风扇 Cooling tower fans	-	-	2.0	
					风机(轴流和离心式) Blowers (axial and radial)	-	1.4	1.5	
化学工业 Chemical industry	化学工业 Chemical industry				食品工业 Food industry				
挤压机 Extruders	挤压机 Extruders	-	-	1.6	蔗糖生产 Cane sugar production				
调浆机 Dough mills	调浆机 Dough mills	-	1.8	1.8	甘蔗切碎机 * Cane knives	-	-	1.7	
橡胶研光机 Rubber calenders	橡胶研光机 Rubber calenders	-	1.5	1.5	甘蔗碾磨机 Cane mills	-	-	1.7	
冷却圆筒 Cooling drums	冷却圆筒 Cooling drums	-	1.3	1.4	甜菜糖生产 Beet sugar production				
混料机,用于 Mixers for	混料机,用于 Mixers for				甜菜切碎机 Beet cossettes macerators,	-	-	1.2	
均匀介质 uniform media	均匀介质 uniform media	1.0	1.3	1.4	榨取机,机械致 Extraction plants, Mechanical				
非均匀介质 non-uniform media	非均匀介质 non-uniform media	1.4	1.6	1.7	冷机、蒸煮机 refrigerators, Juice boilers,	-	-	1.4	
搅拌机,用于 Agitators for media with	搅拌机,用于 Agitators for media with				甜菜清洗机 Sugar beet washing machines,				
密度均匀介质 uniform density	密度均匀介质 uniform density	1.0	1.3	1.5	甜菜切碎机 Sugar beet cutters	-	-	1.5	
不均匀介质 non-uniform density	不均匀介质 non-uniform density	1.2	1.4	1.6					
不均匀气体吸收 non-uniform gas absorption	不均匀气体吸收 non-uniform gas absorption	1.4	1.6	1.8					
烘炉 Toasters	烘炉 Toasters	1.0	1.3	1.5	造纸机械 Paper machines				
离心机 Centrifuges	离心机 Centrifuges	1.0	1.2	1.3	各种类型 *** of all-kind	-	1.8	2.0	
					碎浆机驱动装置 Pulper drives				
金属加工设备 Metal working mills	金属加工设备 Metal working mills				离心式压缩机 Centrifugal compressors	-	1.4	1.5	
翻板机 Plate tilters	翻板机 Plate tilters	1.0	1.0	1.2					
推钢机 Ingot pushers	推钢机 Ingot pushers	1.0	1.2	1.2	索道缆车 Cableways				
绕线机 Winding machines	绕线机 Winding machines	-	1.6	1.6	运货索道 Material ropeways	-	1.3	1.4	
冷床横移架 Cooling bed transfer frames	冷床横移架 Cooling bed transfer frames	-	1.5	1.5	往返系统空中索道 To- and fro system aerial ropeways	-	1.6	1.8	
辊式矫直机 Roller straighteners	辊式矫直机 Roller straighteners	-	1.6	1.6	T型杆升降机 T-bar lifts	-	1.3	1.4	
辊道 Roller tables	辊道 Roller tables				连续索道 Continuous ropeways	-	1.4	1.6	
连续式 continuous	连续式 continuous	-	1.5	1.5					
间歇式 intermittent	间歇式 intermittent	-	2.0	2.0	水泥工业 Cement industry				
可逆式轧管机 Reversing tube mills	可逆式轧管机 Reversing tube mills	-	1.8	1.8	混凝土搅拌机 Concrete mixers	-	1.5	1.5	
剪切机 Shears	剪切机 Shears				破碎机 * Breakers	-	1.2	1.4	
连续式 * continuous	连续式 * continuous	-	1.5	1.5	回转窑 Rotary kilns	-	-	2.0	
曲柄式 * crank type	曲柄式 * crank type	1.0	1.0	1.0	管式磨机 Tube mills	-	-	2.0	
连铸机驱动装置 Continuous casting drivers	连铸机驱动装置 Continuous casting drivers	-	1.4	1.4	选粉机 Separators	-	1.6	1.6	
轧机 Rolls	轧机 Rolls				辊压机 Roll crushers	-	-	2.0	
可逆式开坯机 Reversing blooming mills	可逆式开坯机 Reversing blooming mills	-	2.5	2.5					
可逆式板坯轧机 Reversing slabbing mills	可逆式板坯轧机 Reversing slabbing mills	-	2.5	2.5					
可逆式线材轧机 Reversing wire mills	可逆式线材轧机 Reversing wire mills	-	1.8	1.8					
可逆式薄板轧机 Reversing sheet mills	可逆式薄板轧机 Reversing sheet mills	-	2.0	2.0					
可逆式中厚板轧机 Reversing plate mills	可逆式中厚板轧机 Reversing plate mills	-	1.8	1.8					
辊缝调节驱动装置 Roll adjustment drives	辊缝调节驱动装置 Roll adjustment drives	0.9	1.0	-					

1. 工作机额定功率P2的确定:

- \*) 按最大的扭矩确定额定功率。
- \*\*) 实际的服务系数应根据准确的载荷分类进行选择,具体可咨询我司。
- \*\*\*) 检验热容量是绝对必要的。

2. 所列各项系数均为经验值。使用这些系数的前提条件是,所述机械设备应符合通常的设计规范和载荷条件。如遇特殊情况,请及时与我们联系。

3. 对于那些未列入此表的工作机械,请与我们联系。

1. Determination of nominal power of driven machine

- \*) The normal power usually corresponds to max. torque
- \*\*) The actual service factors should comply with the actually classified loads. For more details, please consult BONENG.
- \*\*\*) A check for thermal capacity is absolutely necessary.

2. The factors listed above are empirical values only. Prerequisite for their applications is that the machinery and equipment correspond to generally accepted design and load specifications. In case of deviations, please consult BONENG.

3. For driven machines not listed in the table, please consult BONENG.

表1 Table 1		被驱动设备系数			Driven machine Factor			f1		
被驱动设备 Driven machines		日带载运行时间 (小时) Effective daily operating period under load in hours			被驱动设备 Driven machines			日带载运行时间 (小时) Effective daily operating period under load in hours		
		≤ 2	> 2-10	> 10				≤ 2	> 2-10	> 10
木材工业 Wood industry	剥皮机 Bark peeler	1.25	1.25	1.50	塑料工业 Plastic industry	碾磨机、复式磨、 涂料、涂膜、 输送带、拉杆、薄型 管型、拔桩机	Grinding mill, compound mill Coating and film coating Pipe, pull rod, thin plastic manufacture Tube, pile drawer accessories	1.25	1.25	1.25
	进给传动 Feed drive	1.75	1.75	1.75		连续混合机、压延机、 吹膜、欲塑化	Continuous mixer, calender Film blower, plasticizer	1.50	1.50	1.50
	主传动 Main drive					分批混合机	Batch mixer	1.75	1.75	1.75
	输送机 Transporter				橡胶工业 Rubber industry	连续式强力内式拌合机、 混合轧机、分批下料碾 磨机、(双光棍式除外)	Continuous powerful internal stirrer Roller mixer, batch charger Crusher(except double rolls)	1.50	1.50	1.50
	燃烧器、反复锯、 转塔式、转运输送	1.25	1.25	1.50		精炼机、压延机	Refiner, calender			
	主要载荷、重载	1.50	1.50	1.50		双棍式夹持进给 及混合碾磨机	Double-roller clamp feeding Mixer grinder	1.25	1.25	1.50
	主原木、地坯	1.75	1.75	2.00		分批式强力内式拌合机、 双光棍式单槽纹棍碾 磨机、双光棍式 粉碎机加热器、双光棍式 分批下料碾磨机	Batch powerful internal stirrer, Double roll single groove roller grinder, Crusher heater, double rolls, Batch charging grinder	1.75	1.75	1.75
	输送带 Conveyor chain					波形棍式碾磨机	Wave roll crusher	2.00	2.00	2.00
	地板 Parquet	1.50	1.50	1.50	发电机和励磁机 Generator and Exciter			1.00	1.00	1.25
	生材 Unprocessed materials	1.50	1.50	1.75	锤式破碎机 Hammer crusher			1.75	1.75	2.00
	切割链 Cutting chain				砂碾机 Sand roller			1.25	1.25	1.50
	锯传动、牵引 Saw drive and traction	1.50	1.50	1.75						
	剥皮筒 Barking drum	1.75	1.75	2.00						
	进给传动 Feed drive									
	轧边、修木、 刨床进给、分类台、 自动倾斜升降	1.25	1.25	1.50						
	多轴送进、原木 搬运和旋转	1.75	1.75	1.75						
	搬运 Transport									
	料盘、 胶合板车床传动、 输送带、起重式	1.50	1.50	1.75						

表2 Table 2		环境温度系数 Thermal factor				f4
不带辅助冷却装置或仅带冷却风扇 Without auxiliary cooling or with fan cooling						
环境温度 Ambient temperature	每小时工作周期 (ED) 百分比 Operating cycle per hour (ED) in %					
	100	80	60	40	20	
10 °C	1.11	1.31	1.60	2.14	3.64	
20 °C	1.00	1.18	1.44	1.93	3.28	
30 °C	0.88	1.04	1.27	1.70	2.89	
40 °C	0.75	0.89	1.08	1.45	2.46	
50 °C	0.63	0.74	0.91	1.22	2.07	

表3 Table 3		环境温度系数 Thermal factor				f5
带冷却盘管或带冷却盘管和风扇 For cooling with cooling coil, or with fan and cooling coil						
环境温度 Ambient temperature	每小时工作周期 (ED) 百分比 Operating cycle per hour (ED) in %					
	100	80	60	40	20	
10 °C	1.05	1.23	1.50	2.03	3.41	
20 °C	1.00	1.17	1.43	1.93	3.25	
30 °C	0.93	1.09	1.33	1.79	3.02	
40 °C	0.87	1.02	1.24	1.68	2.83	
50 °C	0.81	0.95	1.16	1.56	2.63	

表4 Table 4		立式安装齿轮箱供油系数。对于卧式安装齿轮箱 f8=1.0; 当采用强制润滑时, f8=1.05								f8
Oil supply factor for vertical gear units. For horizontal gear units f8= 1.0, and in case of forced lubrication f8= 1.05										
齿轮箱类型 Gear unit type	供油方式 Oil supply	规格 Sizes 4 ... 12				规格 Sizes 13 ... 18				
		不带辅助 冷却装置 Without auxiliary cooling	带冷却风扇 With fan	带冷却盘管 With cooling coil	带风扇和冷却盘管 With fan and cooling coil	不带辅助 冷却装置 Without auxiliary cooling	带冷却风扇 With fan	带冷却盘管 With cooling coil	带风扇和冷却盘管 With fan and cooling coil	
H2.V, H3.V H4.V	浸油润滑 Dip lubrication	0.95	*	0.95	*	*	*	*	*	
	强制润滑 Forced lubrication	1.15	*	1.05	*	1.15	*	1.05	*	
B2.V, B3.V B4.V	浸油润滑 Dip lubrication	0.95	0.95	0.95	0.95	*	*	*	*	
	强制润滑 Forced lubrication	1.15	1.10	1.10	1.10	1.15	1.10	1.10	1.10	

\* 敬请垂询。

\* On request.

表5 Table 5		齿轮箱可靠度系数		Sf
Safety Factor				
一般设备, 减速机失效后仅仅引起单机停产, 并且更换零部件比较容易, 损失较小 Ordinary: single machine halts when gear units fail, easy to replace spare parts and minor loss occurred.			1.0 ≤ Sf ≤ 1.3	
重要设备, 减速机失效后使生产线或者全厂停工, 停机事故损失比较大 Important: a product line or an entire plant halts when gear units fail, heavy loss.			1.3 < Sf ≤ 1.5	
高可靠度要求, 减速机失效后可能造成重大停产事故, 造成极大的经济损失, 以及人身生命事故 Highly reliable: severe production problem happens when gear units fail, enormous loss and life injuries.			1.5 < Sf	



5 传动能力表:

5 Transmission Capacity:

H1系列传动能力表(i=1.25-5.6):

H Series(i=1.25-5.6):

n <sub>1</sub> (r/min)	n <sub>2N</sub> (r/min)	i <sub>N</sub>	H1..3			H1..5			H1..7			H1..9			H1..11		
			T <sub>2N</sub> (kN·m)	i <sub>ex</sub>	P <sub>1N</sub> (kW)	T <sub>2N</sub> (kN·m)	i <sub>ex</sub>	P <sub>1N</sub> (kW)	T <sub>2N</sub> (kN·m)	i <sub>ex</sub>	P <sub>1N</sub> (kW)	T <sub>2N</sub> (kN·m)	i <sub>ex</sub>	P <sub>1N</sub> (kW)	T <sub>2N</sub> (kN·m)	i <sub>ex</sub>	P <sub>1N</sub> (kW)
1450	1160	1.25	2.9	1.243	352	8	1.256	972	15.2	1.263	1845	24.7	1.270	3000			
960	768				233			643			1222			1986			
710	568				172			476			904			1469			
1450	1036	1.4	3.1	1.371	335	8.2	1.378	888	15.9	1.389	1724	25.6	1.400	2774			
960	686				222			588			1141			1837			
710	507				164			435			844			1358			
1450	906	1.6	3.3	1.594	313	8.6	1.588	816	16.3	1.606	1547	27.1	1.625	2572	46	1.636	4367
960	600				207			540			1024			1703			
710	444				153			399			757			1260			
1450	806	1.8	2.7	1.829	227	8.8	1.839	741	17.4	1.774	1466	28	1.800	2361	47.6	1.806	4013
960	533				150			491			971			1563			
710	394				111			363			718			1156			
1450	725	2	2.8	2.000	212	9.4	2.034	713	17.8	1.966	1350	28.7	2.000	2178	49.1	2.000	3727
960	480				140			472			894			1442			
710	355				104			349			661			1066			
1450	647	2.24	2.8	2.194	189	9.6	2.259	651	17.8	2.308	1206	28.7	2.231	1946	50.6	2.222	3431
960	429				125			431			799			1288			
710	317				93			319			591			953			
1450	580	2.5	2.9	2.536	176	9.6	2.520	583	17.8	2.583	1081	28.7	2.500	1743	50.6	2.480	3073
960	384				116			386			716			1154			
710	284				86			285			529			853			
1450	518	2.8	3.1	2.808	167	9.6	2.826	520	17.1	2.800	927	27.2	2.741	1475	50.6	2.783	2744
960	343				111			344			614			977			
710	254				82			255			454			722			
1450	460	3.15	3.1	3.125	149	9.6	3.190	462	17.4	3.130	838	28.1	3.208	1353	48.1	3.080	2317
960	305				99			306			555			896			
710	225				73			226			410			663			
1450	408	3.55	3.2	3.500	136	9.5	3.591	406	17.8	3.524	762	28.6	3.591	1224	50.2	3.478	2149
960	270				90			269			504			810			
710	200				67			199			373			599			
1450	363	4	3.2	3.950	121	9.6	4.050	363	17.8	4.000	675	28.7	4.050	1088	50.6	3.905	1920
960	240				80			241			447			721			
710	178				59			178			330			533			
1450	322	4.5	2.5	4.435	84	7.7	4.619	259	15.8	4.400	532	24.6	4.381	828	46	4.421	1550
960	213				56			172			352			548			
710	158				41			127			260			406			
1450	290	5	2.4	4.952	73	7.2	4.900	218	13.8	4.905	419	23.5	4.947	713	38.7	5.150	1175
960	192				48			145			277			472			
710	142				36			107			205			349			
1450	259	5.6	2.3	5.579	62	6.9	5.556	187	13.1	5.526	355	20.1	5.684	545	36.5	5.474	990
960	171				41			124			235			361			
710	127				30			91			174			267			

注:  卧式安装齿轮箱要求采用强制润滑。

Note:  Forced lubrication required on horizontal gear units.



H1..13			H1..15			H1..17			H1..19			i <sub>N</sub>	n <sub>2N</sub> (r/min)	n <sub>1</sub> (r/min)				
T <sub>2N</sub> (kN·m)	i <sub>ex</sub>	P <sub>1N</sub> (kW)	T <sub>2N</sub> (kN·m)	i <sub>ex</sub>	P <sub>1N</sub> (kW)	T <sub>2N</sub> (kN·m)	i <sub>ex</sub>	P <sub>1N</sub> (kW)	T <sub>2N</sub> (kN·m)	i <sub>ex</sub>	P <sub>1N</sub> (kW)							
												1.25	1160	1450				
													768	960				
													568	710				
												1.4	1036	1450				
													686	960				
													507	710				
67.4	1.588											1.6	906	1450				
		4234											600	960				
		3131											444	710				
70.9	1.839											1.8	806	1450				
		3962											533	960				
		2930											394	710				
72.9	2.034		129	2.000								2	725	1450				
		3663											480	960				
		2709											355	710				
75.2	2.259		130	2.231								2.24	647	1450				
		3371											429	960				
		2493											317	710				
77	2.520		117	2.481								2.5	580	1450				
		4676											384	960				
		3096											284	710				
77	2.826		120	2.760		171	2.760					2.8	518	1450				
		4177													343	960		
		2765													254	710		
73.1	3.208		124	3.087		173	3.087					3.15	460	1450				
		3522													305	960		
		2332													225	710		
74.4	3.591		126	3.476		173	3.476					3.55	408	1450				
		3185													270	960		
		2109													200	710		
75.7	4.050		130	3.947		173	3.947		245	3.994		4	363	1450				
		2873															240	960
		1902															178	710
61.6	4.619		109	4.579		146	4.526		216	4.400		4.5	322	1450				
		2075															213	960
		1374															158	710
58.3	4.900		95	5.100		124	4.900		174	4.950		5	290	1450				
		1770															192	960
		1172															142	710
55.4	5.556		90.4	5.778		118	5.556		150	5.700		5.6	259	1450				
		1502															171	960
		995															127	710
		736																

注:  卧式安装齿轮箱要求采用强制润滑。

Note:  Forced lubrication required on horizontal gear units.

H系列传动能力表(i=6.3-35.5):

H Series(i=6.3-35.5):

n <sub>1</sub> (r/min)	n <sub>2N</sub> (r/min)	i <sub>N</sub>	H...4			H...5			H...6			H...7			H...8			H...9		
			T <sub>2N</sub> (kN·m)	i <sub>ex</sub>	P <sub>1N</sub> (kW)	T <sub>2N</sub> (kN·m)	i <sub>ex</sub>	P <sub>1N</sub> (kW)	T <sub>2N</sub> (kN·m)	i <sub>ex</sub>	P <sub>1N</sub> (kW)	T <sub>2N</sub> (kN·m)	i <sub>ex</sub>	P <sub>1N</sub> (kW)	T <sub>2N</sub> (kN·m)	i <sub>ex</sub>	P <sub>1N</sub> (kW)	T <sub>2N</sub> (kN·m)	i <sub>ex</sub>	P <sub>1N</sub> (kW)
1450	230	6.3	6.3	6.319	152	10.7	6.286	257				20.3	6.088	488				33.7	6.260	811
960	152				100			170						323						537
710	113				74.3			126						239						397
1450	204	7.1	6.5	6.857	138	11.2	7.213	239				20.3	7.048	433				33.7	7.247	719
960	135				91.5			158						287						476
710	100				67.7			117						212						352
1450	181	8	6.7	7.778	127	11.2	7.889	213	13.5	7.792	256	20.3	7.799	386	25.6	7.676	486	33.7	8.018	641
960	120				83.8			141			170			255			322			424
710	88.8				62			104			125			189			238			314
1450	161	9	6.7	8.485	113	11.2	8.652	189	14.4	8.940	243	20.3	8.660	342	25.6	8.887	432	33.7	8.904	569
960	107				74.9			125			161			227			286			377
710	78.9				55.4			92.3			119			168			212			279
1450	145	10	6.3	9.722	94.7	10.5	10.002	159	14.4	9.778	218	20.3	9.660	307	25.6	9.833	389	33.7	9.932	511
960	96				62.7			105			145			204			257			339
710	71				46.4			77.6			107			151			190			250
1450	129	11.2	6.3	10.694	85.1	10.6	11.075	143	14.4	10.724	195	20.2	10.648	275	25.6	10.920	347	33.7	11.138	456
960	85.7				56.3			94.7			129			182			230			302
710	63.4				41.7			70.1			95.6			134			170			223
1450	116	12.5	6.7	12.444	81.2	11.2	12.326	135	13.5	12.397	163	20.3	11.807	245	25.6	12.180	310	33.7	12.574	409
960	76.8				53.8			89.6			108			162			205			271
710	56.8				39.8			66.3			80			120			152			200
1450	104	14	6.7	13.865	72.5	11.2	13.806	121	13.5	13.726	146	20.3	13.939	219	25.6	13.426	276	33.7	14.152	364
960	68.6				48			80			96.6			145			183			241
710	50.7				35.5			59.2			71.5			107			135			178
1450	90.6	16	6.7	15.556	62.8	11.2	15.581	106	14.4	15.278	136	20.3	15.717	192	25.6	14.887	242	33.7	15.962	320
960	60				41.6			70.4			90.2			127			160			212
710	44.4				30.8			52.1			66.7			94			118			157
1450	80.6	18	6.3	17.602	52.2	10.5	17.493	88	14.4	17.111	121	19	17.598	160	25.6	17.576	215	33.7	18.204	282
960	53.3				34.6			58.2			80			106			142			187
710	39.4				25.6			43.1			59.2			78			105			138
1450	72.5	20	6.6	19.444	49.3	11.2	19.534	84.1	14.4	19.311	109	19	19.742	144	25.6	19.817	194	33.7	19.312	255
960	48				32.6			55.7			72.3			95			129			169
710	35.5				24.1			41.2			53.5			71			95			125
1450	64.7	22.4	6.3	22.037	42.5	10.9	22.006	73.5	13.5	21.681	90.9	19.8	20.982	133	24	22.189	162	33.1	21.895	224
960	42.9				28.2			48.6			60.2			88			108			148
710	31.7				20.8			36			44.5			65			80			110
1450	58	25				11.6	25.011	70	14.3	24.212	86	21.7	25.540	131	24	24.892	145	35.7	25.439	217
960	38.4				46			44			57			87			96			143
710	28.4				34			42.1			64			71			106			
1450	51.8	28				11.6	28.490	63	13.9	27.275	75.4	21.7	27.711	118	25	26.456	136	35.7	29.187	194
960	34.3				42			42			49.9			78			90			129
710	25.4				31			36.9			58			67			95			
1450	46	31.5				11.6	31.161	56	15.5	30.999	74	21.7	31.433	105	27.2	32.202	131	35.7	31.924	173
960	30.5				37			37			49			70			87			115
710	22.5				27			36			52			64			85			
1450	40.8	35.5				11.6	34.177	49	15.5	35.312	66	21.7	34.291	92	27.2	34.940	115	35.7	35.013	152
960	27				33			33			44			61			76			100
710	20				24			32			45			56			74			

HB

H...10			H...11			H...12			H...13			H...14			H...15			i <sub>N</sub>	n <sub>2N</sub> (r/min)	n <sub>1</sub> (r/min)
T <sub>2N</sub> (kN·m)	i <sub>ex</sub>	P <sub>1N</sub> (kW)	T <sub>2N</sub> (kN·m)	i <sub>ex</sub>	P <sub>1N</sub> (kW)	T <sub>2N</sub> (kN·m)	i <sub>ex</sub>	P <sub>1N</sub> (kW)	T <sub>2N</sub> (kN·m)	i <sub>ex</sub>	P <sub>1N</sub> (kW)	T <sub>2N</sub> (kN·m)	i <sub>ex</sub>	P <sub>1N</sub> (kW)	T <sub>2N</sub> (kN·m)	i <sub>ex</sub>	P <sub>1N</sub> (kW)			
					1428						2072						3444		230	1450
			59.3	6.246	945				86	6.410	1372				143	6.449	2280	6.3	152	960
					699						1014						1686		113	710
					1266						1837						3054		204	1450
			59.3	6.900	838				86	7.100	1216				143	7.120	2022	7.1	135	960
					620						899						1495		100	710
42.2	7.848	802	59.3	7.644	1128	73.8	7.941	1404	86	7.889	1636	107	7.944	2036	143	7.882	2721	8	181	1450
		531			747			929			1083			1348			1802		120	960
		393			552			687			801			997			1332		88.8	710
42.2	9.085	712	59.3	8.974	1001	73.8	8.772	1247	86	8.799	1453	107	8.800	1809	143	8.758	2417	9	161	1450
		472			663			826			962			1197			1600		107	960
		349			490			611			711			886			1183		78.9	710
42.2	10.053	640	59.3	10.046	900	73.8	9.718	1120	86	9.861	1305	107	9.778	1624	143	9.774	2171	10	145	1450
		424			596			742			864			1075			1437		96	960
		313			441			549			639			795			1063		71	710
42.2	11.163	572	59.3	10.889	804	73.8	11.410	1001	86	10.811	1166	107	10.906	1451	143	10.967	1939	11.2	129	1450
		379			532			662			772			961			1284		85.7	960
		280			394			490			571			710			950		63.4	710
42.2	12.452	512	59.3	12.174	720	73.8	12.773	896	86	12.655	1044	107	12.222	1299	143	12.139	1736	12.5	116	1450
		339			477			593			691			860			1149		76.8	960
		251			353			439			511			636			850		56.8	710
42.2	13.964	456	59.3	13.704	642	73.8	13.844	798	86	14.164	931	107	13.399	1158	143	13.708	1549	14	104	1450
		302			425			529			616			767			1025		68.6	960
		223			314			391			456			567			758		50.7	710
42.2	15.765	401	59.3	15.556	564	73.8	15.478	702	86	15.975	818	107	15.685	1018	143	15.389	1360	16	90.6	1450
		266			373			465			541			674			900		60	960
		196			276			344			400			498			666		44.4	710
42.2	17.743	354	59.3	17.111	498	73.8	17.423	620	86	17.280	722	107	17.556	898	143	17.424	1201	18	80.6	1450
		234			330			410			478			595			795		53.3	960
		173			244			303			354			440			588		39.4	710
42.2	20.012	320	59.3	19.074	450	73.8	19.778	560	86	19.515	653	107	19.800	812	143	20.297	1086	20	72.5	1450
		212			298			371			432			538			719		48	960
		157			220			274			320			398			532		35.5	710
42.2	22.824	286	58.3	21.491	395	73.8	21.756	500	88	22.020	596	107	21.418	725	153	21.374	1037	22.4	64.7	1450
		189			262			331			395			480			687		42.9	960
		140			194			245			292			355			508		31.7	710
42.2	24.212	256	63.5	24.706	385	73.8	24.251	448	88	25.372	534	107	24.187	650	153	24.716	929	25	58	1450
		170			255			296			353			430			615		38.4	960
		125			188			219			261			318			455		28.4	710
41.6	27.451	227	63.5	28.602	347	72.5	27.325	395	88	29.373	480	109	27.292	595	153	27.304	836	28	51.8	1450
		150			230			262			318			394			554		34.3	960
		111			170			194			235			292			409		25.4	710
43.8	31.894	213	63.5	31.648	308	77.6	31.412	375	88	32.501	427	109	31.447	529	153	30.248	743	31.5	46	1450
		141			204			248			283			350			492		30.5	960
		104			151			184			209			259			364		22.5	710
43.8	36.593	186	63.5	35.144	270	78.6	36.366	328	88	36.092	374	109	36.406	463	153	35.514	650	35.5	40.8	1450
		123			179			217			248			307			430		27	960
		91			132			160			183			227			318		20	710

注:  卧式安装齿轮箱要求采用强制润滑。

Note:  Forced lubrication required on horizontal gear units.

H系列传动能力表(i=6.3-35.5): (续前页)

H Series(i=6.3-35.5) (continued)

n <sub>1</sub> (r/min)	n <sub>2N</sub> (r/min)	i <sub>N</sub>	H...16			H...17			H...18			H...19			H...20			H...21			
			T <sub>2N</sub> (kN·m)	i <sub>ex</sub>	P <sub>1N</sub> (kW)	T <sub>2N</sub> (kN·m)	i <sub>ex</sub>	P <sub>1N</sub> (kW)	T <sub>2N</sub> (kN·m)	i <sub>ex</sub>	P <sub>1N</sub> (kW)	T <sub>2N</sub> (kN·m)	i <sub>ex</sub>	P <sub>1N</sub> (kW)	T <sub>2N</sub> (kN·m)	i <sub>ex</sub>	P <sub>1N</sub> (kW)	T <sub>2N</sub> (kN·m)	i <sub>ex</sub>	P <sub>1N</sub> (kW)	
1450	230	6.3						4697													
960	152					195	6.154	3110				292	6.410	4667						6.500	
710	113							2300						3451							
1450	204	7.1			3417			4164													
960	135		160	7.316	2262	195	7.125	2757	230	7.147	3259	292	7.100	4139	335	7.312	4748	410	7.200		
710	100				1673			2039			2410			3061			3512				
1450	181	8			3044			3710													
960	120		160	8.076	2015	195	7.884	2456	230	8.274	2897	292	7.889	3668	335	8.100	4209	410	8.000		
710	88.8				1491			1817			2143			2713			3113				
1450	161	9			2704			3295													
960	107		160	8.941	1790	195	8.755	2182	230	9.155	2573	292	8.799	3257	335	9.000	3737	410	8.923	4574	
710	78.9				1324			1614			1903			2409			2764				3383
1450	145	10			2429			2960													
960	96		160	9.935	1608	195	9.765	1960	230	10.167	2312	292	9.788	2935	335	10.038	3367	410	9.926	4121	
710	71				1189			1449			1710			2171			2490				3048
1450	129	11.2			2170			2645													
960	85.7		160	11.087	1437	195	10.951	1751	230	11.340	2065	292	10.887	2622	335	11.167	3008	410	11.040	3667	
710	63.4				1063			1295			1527			1939			2225				2712
1450	116	12.5			1943			2368													
960	76.8		160	12.440	1286	195	12.432	1568	230	12.717	1850	292	12.176	2348	335	12.420	2694	410	12.348	3297	
710	56.8				951			1160			1368			1737			1992				2438
1450	104	14			1732			2111													
960	68.6		160	13.769	1147	195	13.915	1398	230	14.438	1649	292	13.712	2093	335	13.891	2402	410	13.905	2940	
710	50.7				848			1034			1219			1548			1776				2174
1450	90.6	16			1522			1855													
960	60		160	15.550	1007	195	15.694	1228	230	16.159	1448	292	15.570	1839	335	15.643	2110	410	15.789	2582	
710	44.4				745			908			1071			1360			1561				1910
1450	80.6	18			1344			1638													
960	53.3		160	17.457	890	195	17.899	1084	230	18.225	1279	292	18.061	1624	335	17.763	1863	410	18.316	2280	
710	39.4				658			802			946			1201			1378				1686
1450	72.5	20			1214			1480													
960	48		160	19.765	804	195	18.988	980	230	20.786	1156	292	20.117	1468	335	20.605	1683	410	20.400	2060	
710	35.5				595			725			855			1085			1245				1524
1450	64.7	22.4			1085			1356													
960	42.9		160	23.024	718	200	20.930	898	230	22.050	1032	300	21.782	1347	335	22.950	1504	420	22.368	1885	
710	31.7				531			664			763			996			1112				1394
1450	58	25			1050			1214													
960	38.4		173	24.245	695	200	24.202	804	240	24.306	964	300	25.283	1206	345	24.850	1387	420	25.837	1688	
710	28.4				514			595			713			892			1026				1249
1450	51.8	28			945			1092													
960	34.3		173	28.036	626	200	26.736	723	240	28.106	868	300	28.006	1085	345	28.844	1248	420	28.523	1519	
710	25.4				463			535			642			803			923				1124
1450	46	31.5			840			972													
960	30.5		173	30.971	556	200	29.619	643	240	31.048	772	300	31.117	964	345	31.950	1110	420	31.579	1350	
710	22.5				411			476			571			713			821				999
1450	40.8	35.5			735			850													
960	27		173	34.311	486	200	34.776	563	240	34.397	675	300	34.708	844	345	35.500	971	420	35.088	1182	
710	20				360			416			499			624			718				874

注:  卧式安装齿轮箱要求采用强制润滑。

Note:  Forced lubrication required on horizontal gear units.

H...22			H...23			H...24			H...25			H...26			i <sub>N</sub>	n <sub>2N</sub> (r/min)	n <sub>1</sub> (r/min)
T <sub>2N</sub> (kN·m)	i <sub>ex</sub>	P <sub>1N</sub> (kW)	T <sub>2N</sub> (kN·m)	i <sub>ex</sub>	P <sub>1N</sub> (kW)	T <sub>2N</sub> (kN·m)	i <sub>ex</sub>	P <sub>1N</sub> (kW)	T <sub>2N</sub> (kN·m)	i <sub>ex</sub>	P <sub>1N</sub> (kW)	T <sub>2N</sub> (kN·m)	i <sub>ex</sub>	P <sub>1N</sub> (kW)			
				6.306						6.280					6.3	230	1450
																152	960
																113	710
	7.265			7.038			7.059			6.915			7.232		7.1	204	1450
																135	960
																100	710
458	8.047			7.882			7.878			7.635			7.963		8	181	1450
																120	960
																88.8	710
458	8.941		540	8.868			8.824			8.915			8.792		9	161	1450
																107	960
																78.9	710
458	9.973	4603	540	9.780		620	9.926			9.939			10.266		10	145	1450
		3404														96	960
																71	710
458	11.094	4097	540	10.878		620	10.948		780	11.141			11.445		11.2	129	1450
		3030														85.7	960
																63.4	710
458	12.339	3683	540	12.166	4342	620	12.176		780	12.571		880	12.829		12.5	116	1450
		2724			3211											76.8	960
																56.8	710
458	13.801	3269	540	13.700	3853	620	13.619	4425	780	13.394		880	14.476		14	104	1450
		2418			2850			3272								68.6	960
		4358														50.7	710
458	15.541	2885	540	15.557	3420	620	15.336	3926	780	15.314		880	15.424		16	90.6	1450
		2134			2529			2904								60	960
		3847			4537											44.4	710
458	17.647	2547	540	17.839	3004	620	17.415	3490	780	17.082	4390	880	17.634		18	80.6	1450
		1884			2221			2581			3247					53.3	960
		3476			4099			4707								39.4	710
458	20.471	2301	540	19.312	2714	620	19.969	3116	780	19.218	3920	880	19.671	4423	20	72.5	1450
		1702			2007			2305			2899			3271		48	960
		3106			3797			4204								35.5	710
458	22.800	2056	560	22.039	2514	620	21.618	2783	800	21.108	3618	880	22.129	3980	22.4	64.7	1450
		1521			1859			2059			2676			2944		42.9	960
		2854			3401			3886								31.7	710
470	25.000	1889	560	25.457	2252	640	24.671	2573	800	24.322	3216	900	24.306	3618	25	58	1450
		1397			1665			1903			2379			2676		38.4	960
		2568			3060			3497			4372					28.4	710
470	28.877	1700	560	28.103	2026	640	28.497	2316	800	28.157	2895	900	28.007	3256	28	51.8	1450
		1258			1499			1713			2141			2408		34.3	960
		2283			2720			3109			3886			4372		25.4	710
470	31.879	1512	560	31.115	1801	640	31.459	2058	800	31.156	2573	900	32.424	2895	31.5	46	1450
		1118			1332			1522			1903			2141		30.5	960
		1998			2380			2720			3401			3826		22.5	710
470	35.294	1323	560	34.572	1576	640	34.830	1801	800	34.598	2252	900	35.876	2533	35.5	40.8	1450
		978			1165			1332			1665			1873		27	960
																20	710

注:  卧式安装齿轮箱要求采用强制润滑。

Note:  Forced lubrication required on horizontal gear units.



H系列传动能力表(i=40-450):

H Series(i=40-450):

n <sub>1</sub> (r/min)	n <sub>2N</sub> (r/min)	i <sub>N</sub>	H...5			H...6			H...7			H...8			H...9									
			T <sub>2N</sub> (kN·m)	i <sub>ex</sub>	P <sub>1N</sub> (kW)	T <sub>2N</sub> (kN·m)	i <sub>ex</sub>	P <sub>1N</sub> (kW)	T <sub>2N</sub> (kN·m)	i <sub>ex</sub>	P <sub>1N</sub> (kW)	T <sub>2N</sub> (kN·m)	i <sub>ex</sub>	P <sub>1N</sub> (kW)	T <sub>2N</sub> (kN·m)	i <sub>ex</sub>	P <sub>1N</sub> (kW)							
1450	36.3	40	11.6	39.508	44	15.5	38.622	59	21.7	39.292	83	27.2	39.633	104	35.7	40.474	137							
960	24				29			39			55			69			91							
710	17.8				22			29			41			51			67							
1450	32.2	45	11.6	43.745	39	15.5	42.360	51	21.7	43.221	72	27.2	43.236	90	35.7	44.816	119							
960	21.3				26			34			47			60			79							
710	15.8				19			25			35			44			58							
1450	29	50	11.6	48.689	35	15.5	48.967	46	21.7	50.293	66	27.2	49.542	82	35.7	49.881	108							
960	19.2				23			31			44			54			72							
710	14.2				17			23			32			40			53							
1450	25.9	56	11.6	54.532	31	15.5	54.220	42	21.7	56.033	59	27.2	54.496	73	35.7	55.866	97							
960	17.1				20			28			39			49			64							
710	12.7				15			20			29			36			47							
1450	23	63	11.6	61.543	28	15.5	60.347	37	21.7	62.867	52	27.2	63.413	66	35.7	63.049	86							
960	15.2				19			24			35			44			57							
710	11.3				14			18			26			32			42							
1450	20.4	71	11.6	69.742	24	15.5	67.589	33	21.7	71.139	45	27.2	70.651	57	35.7	70.787	75							
960	13.5				16			22			30			38			50							
710	10				12			16			22			28			37							
1450	18.1	80	11.6	78.723	21	15.5	76.279	29	21.7	78.583	41	27.2	79.267	51	35.7	79.049	68							
960	12				14			19			27			34			45							
710	8.88				10			14			20			25			33							
1450	16.1	90	11.6	86.806	19	15.5	86.440	26	21.7	89.061	33	27.2	89.696	45	35.7	89.050	58							
960	10.7				13			17			22			30			38							
710	7.89				9			13			16			22			28							
1450	14.5	100				15.5	97.572	21	21.7	101.554	33	27.2	99.083	41	35.7	101.210	54							
960	9.6													14				22		27		20		36
710	7.1													10				16		16		16		27
1450	12.9	112				15.5	107.590	20	21.7	115.256	29	27.2	112.294	34	35.7	115.290	48							
960	8.57													13				19		19		22		32
710	6.34													10				14		14		17		24
1450	11.6	125							21.7	125.733	26	27.2	128.046	33	35.7	126.098	43							
960	7.68																	17		17		22		28
710	5.68																	13		13		16		21
1450	10.4	140							21.7	143.985	23	27.2	145.322	29	35.7	138.301	38							
960	6.86																	15		15		19		25
710	5.07																	11		11		14		18
1450	9.06	160							21.7	158.251	20	27.2	158.533	25	35.7	159.874	34							
960	6																	13		13		17		22
710	4.44																	10		10		12		17
1450	8.06	180							21.7	174.630	17	27.2	181.546	22	35.7	177.022	30							
960	5.33																	12		12		15		20
710	3.94																	9		9		11		15
1450	7.25	200							21.7	193.629	16	27.2	199.533	20	35.7	197.028	27							
960	4.8																	11		11		13		18
710	3.55																	8		8		10		13
1450	6.47	224							21.7	228.606	15	27.2	220.185	18	35.7	220.671	24							
960	4.29																	10		10		12		16
710	3.17																	7		7		9		12
1450	5.8	250							21.7	257.753	13	27.2	244.141	16	35.7	249.043	21							
960	3.84																	8		8		11		14
710	2.84																	6		6		8		10
1450	5.18	280							21.7	288.615	12	27.2	288.242	15	35.7	282.219	19							
960	3.43																	8		8		10		13
710	2.54																	6		6		7		9
1450	4.6	315							21.7	305.352	10	27.2	324.993	13	35.7	318.563	16							
960	3.05																	6		6		8		11
710	2.25																	5		5		6		8
1450	4.08	355							19.6	344.112	8	27.2	363.906	11	35.7	351.273	15							
960	2.7																	6		6		7		10
710	2																	4		4		5		7
1450	3.63	400										27.2	385.010	10										
960	2.4																					6		
710	1.78																					5		
1450	3.22	450										25.3	433.881	8										
960	2.13																					6		
710	1.58																					4		

HB

H...10			H...11			H...12			H...13			H...14			H...15			i <sub>N</sub>	n <sub>2N</sub> (r/min)	n <sub>1</sub> (r/min)
T <sub>2N</sub> (kN·m)	i <sub>ex</sub>	P <sub>1N</sub> (kW)	T <sub>2N</sub> (kN·m)	i <sub>ex</sub>	P <sub>1N</sub> (kW)	T <sub>2N</sub> (kN·m)	i <sub>ex</sub>	P <sub>1N</sub> (kW)	T <sub>2N</sub> (kN·m)	i <sub>ex</sub>	P <sub>1N</sub> (kW)	T <sub>2N</sub> (kN·m)	i <sub>ex</sub>	P <sub>1N</sub> (kW)	T <sub>2N</sub> (kN·m)	i <sub>ex</sub>	P <sub>1N</sub> (kW)			
43.8	40.024	168	63.5	39.200	244	78	40.238	297	88	40.257	338	109	40.283	419	153	39.756	588	40	36.3	1450
		111			161			196			224			277			389		24	960
		82			119			145			166			205			288		17.8	710
43.8	43.897	146	63.5	43.210	212	78	44.683	257	88	45.147	294	109	44.733	363	153	43.090	510	45	32.2	1450
		97			140			170			195			241			338		21.3	960
		71			104			126			144			178			250		15.8	710
43.8	50.744	132	63.5	47.911	192	78	49.840	234	88	50.968	267	109	49.896	331	153	48.175	464	50	29	1450
		88			127			155			177			219			307		19.2	960
		65			94			115			131			162			227		14.2	710
43.8	56.187	119	63.5	56.566	173	78	54.938	211	88	57.365	240	109	55.957	298	153	54.229	418	56	25.9	1450
		79			115			140			159			197			276		17.1	960
		58			85			103			117			146			204		12.7	710
43.8	62.537	106	63.5	63.778	154	78	60.916	188	88	64.699	214	109	63.171	264	153	61.557	371	63	23	1450
		70			102			124			141			175			246		15.2	960
		52			75			92			105			129			182		11.3	710
43.8	70.041	93	63.5	71.414	134	78	71.919	163	88	73.789	187	109	71.100	231	153	67.713	325	71	20.4	1450
		61			89			108			124			153			215		13.5	960
		45			66			80			91			113			159		10	710
43.8	79.046	83	63.5	80.111	121	78	81.089	146	88	78.278	167	109	80.190	207	153	75.481	291	80	18.1	1450
		55			80			97			111			137			193		12	960
		41			59			71			82			101			142		8.88	710
43.8	88.748	73	63.5	85.146	107	78	90.798	130	88	88.750	148	109	91.457	184	153	85.046	258	90	16.1	1450
		49			71			86			98			122			171		10.7	960
		36			53			63			72			90			126		7.89	710
43.8	99.106	66	61.6	103.639	93	78	101.856	117	90.7	103.114	137	109	97.020	165	153	97.768	232	100	14.5	1450
		44			61			77			91			109			154		9.6	960
		32			45			57			67			81			114		7.1	710
43.8	111.645	58	61.6	112.450	83	78	108.257	104	90.7	118.306	123	109	110.000	147	153	113.186	207	112	12.9	1450
		38			55			69			81			97			137		8.57	960
		28			41			51			60			72			101		6.34	710
44.2	126.890	53	61.6	127.556	74	78	131.769	95	90.7	129.398	109	113	127.803	136	153	125.238	186	125	11.6	1450
		35			49			63			72			90			123		7.68	960
		26			36			46			53			67			91		5.68	710
44.2	144.542	47	61.6	139.152	67	78	142.973	84	90.7	141.920	98	113	146.633	122	153	139.074	165	140	10.4	1450
		31			44			56			65			81			109		6.86	960
		23			33			41			48			60			81		5.07	710
44.2	158.093	42	61.6	159.444	58	78	162.178	73	90.7	164.058	86	113	160.380	107	153	155.125	145	160	9.06	1450
		28			38			49			57			71			96		6	960
		20			28			36			42			53			71		4.44	710
44.2	173.392	37	61.6	175.389	51	78	176.921	65	90.7	181.654	75	113	175.901	95	153	170.993	128	180	8.06	1450
		24			34			43			50			63			84		5.33	960
		18			25			32			37			46			62		3.94	710
44.2	200.439	33	61.6	204.089	46	78	202.722	59	90.7	202.184	69	113	203.339	85	153	189.597	116	200	7.25	1450
		22			31			39			45			56			77		4.8	960
		16			23			29			34			42			57		3.55	710
44.2	221.938	30	61.6	227.382	42	78	222.994	52	90.7	226.446	61	113	225.149	76	153	223.845	103	224	6.47	1450
		20			28			35			40			51			68		4.29	960
		15			20			26			30			37			51		3.17	710
44.2	247.020	26	61.6	255.111	37	78	259.484	47	90.7	255.560	54	113	250.594	68	153	252.385	93	250	5.8	1450
		17			24			31			36			45			61		3.84	960
		13			18			23			27			33			45		2.84	710
44.2	276.663	23	61.6	288.678	33	78	289.100	43	90.7	286.925	49	113	280.665	61	153	282.605	83	280	5.18	1450
		15			22			28			33			40			55		3.43	960
		11			16			21			24			30			41		2.54	710
44.2	312.234	21	61.6	318.889	29	78	324.356	38	90.7	320.413	44	113	316.751	54	153	317.021	73	315	4.6	1450
		14			19			25			29			36			49		3.05	960
		10			14			18			21			27			36		2.25	710
44.2	353.827	18	61.6	361.407	26	78	367.034	33	90.7	360.951	38	113	355.625	47	153	336.946	59	355	4.08	1450
		12			17			22			25			31			39		2.7	960
		9			13			16			18			23			29		2	710
44.2	399.393	16				78	405.444	30				113	397.131	43				400	3.63	1450
		11						20						28					2.4	960
		8						15						21					1.78	710
42.8	440.402	14				78	459.504	25				113	447.376	38				450	3.22	1450
		9						17						25					2.13	960
		7						12						18					1.58	710

HB

H系列传动能力表(i=40-450): (续前页)

H Series(i=40-450) (continued):

n <sub>1</sub> (r/min)	n <sub>2N</sub> (r/min)	i <sub>N</sub>	H...16			H...17			H...18			H...19			H...20																
			T <sub>2N</sub> (kN·m)	i <sub>ex</sub>	P <sub>1N</sub> (kW)	T <sub>2N</sub> (kN·m)	i <sub>ex</sub>	P <sub>1N</sub> (kW)	T <sub>2N</sub> (kN·m)	i <sub>ex</sub>	P <sub>1N</sub> (kW)	T <sub>2N</sub> (kN·m)	i <sub>ex</sub>	P <sub>1N</sub> (kW)	T <sub>2N</sub> (kN·m)	i <sub>ex</sub>	P <sub>1N</sub> (kW)														
1450	36.3	40	173	40.284	665	200	38.929	769	240	40.385	922	300	38.897	1153	345	39.596	1326														
960	24				440									509			611	764	878												
710	17.8				326									376			452	565	649												
1450	32.2	45	173	45.096	577	200	42.194	668	240	45.208	801	300	42.642	1001	345	44.375	1152														
960	21.3				382									442			531	663	763												
710	15.8				283									327			392	490	564												
1450	29	50	173	48.878	525	200	47.174	607	240	49.000	728	300	49.917	911	345	48.648	1047														
960	19.2				348									402			482	603	693												
710	14.2				257									297			356	446	513												
1450	25.9	56	173	54.647	473	200	53.102	546	240	54.783	655	300	55.870	820	345	56.948	943														
960	17.1				313									362			434	543	624												
710	12.7				231									267			321	401	462												
1450	23	63	173	61.514	420	200	60.278	485	240	61.667	583	300	63.013	728	345	63.739	838														
960	15.2				278									321			386	482	555												
710	11.3				205									238			285	356	410												
1450	20.4	71	173	69.826	367	200	66.306	424	240	70.000	509	300	68.162	637	345	71.888	733														
960	13.5				243									281			337	422	485												
710	10				180									208			249	312	359												
1450	18.1	80	173	76.809	329	200	73.912	380	240	77.000	456	300	76.974	570	345	77.762	656														
960	12				218									252			302	378	435												
710	8.88				161									186			223	279	321												
1450	16.1	90	173	85.620	292	200	83.279	337	240	85.833	405	300	88.439	490	345	87.816	583														
960	10.7				193									223			268	324	386												
710	7.89				143									165			198	240	285												
1450	14.5	100	173	96.471	262	200	95.735	304	240	96.711	342	300	100.079	455	345	100.895	508														
960	9.6				173									201			227	301	337												
710	7.1				128									149			168	223	249												
1450	12.9	112	173	110.901	234	200	110.833	271	240	111.176	325	300	115.862	406	345	114.174	468														
960	8.57				155									179			215	269	310												
710	6.34				115									133			159	199	229												
1450	11.6	125	173	128.390	210	200	122.634	243	240	128.710	291	300	128.198	363	345	132.180	419														
960	7.68				139									161			193	241	277												
710	5.68				103									119			142	178	205												
1450	10.4	140	173	142.060	187	200	136.183	217	240	142.414	259	300	142.362	325	345	146.254	373														
960	6.86				124									143			172	215	247												
710	5.07				91									106			127	159	183												
1450	9.06	160	173	157.756	164	200	151.900	189	240	158.148	228	300	158.792	285	345	162.413	328														
960	6				109									125			151	189	217												
710	4.44				80									93			112	140	160												
1450	8.06	180	173	175.962	145	200	167.438	167	240	176.400	201	300	178.079	251	345	181.156	289														
960	5.33				96									111			133	166	191												
710	3.94				71									82			98	123	142												
1450	7.25	200	173	193.962	131	200	185.656	152	240	194.444	182	300	201.040	227	345	203.160	261														
960	4.8				86									100			120	150	173												
710	3.55				64									74			89	111	128												
1450	6.47	224	173	215.065	117	200	219.192	135	240	215.600	162	300	226.272	203	345	229.355	234														
960	4.29				77									90			108	134	155												
710	3.17				57									66			80	99	115												
1450	5.8	250	173	253.914	104	200	247.139	121	240	254.545	145	300	255.201	182	345	258.141	209														
960	3.84				69									80			96	120	138												
710	2.84				51									59			71	89	102												
1450	5.18	280	173	286.288	94	200	276.730	109	240	287.000	131	300	291.058	163	345	291.144	189														
960	3.43				62									72			86	108	125												
710	2.54				46									53			64	80	92												
1450	4.6	315	173	320.566	83	200	310.431	97	240	321.364	116	300	308.761	145	345	332.052	167														
960	3.05				55									64			77	96	111												
710	2.25				41									47			57	71	82												
1450	4.08	355	173	359.606	73	200	329.942	81	240	360.500	102	300	350.069	123	345	352.249	146														
960	2.7				49									54			67	81	97												
710	2				36									40			50	60	71												
1450	3.63	400	173	382.207	60				240	383.158	85				345	399.375	129														
960	2.4				40																										85
710	1.78				29																										63
1450	3.22	450																													
960	2.13																														
710	1.58																														

HB





B系列传动能力表(i=5-28):

B Series(i=5-28):

n <sub>1</sub> (r/min)	n <sub>2N</sub> (r/min)	i <sub>N</sub>	B...4			B...5			B...6			B...7			B...8			B...9		
			T <sub>2N</sub> (kN·m)	i <sub>ex</sub>	P <sub>1N</sub> (kW)	T <sub>2N</sub> (kN·m)	i <sub>ex</sub>	P <sub>1N</sub> (kW)	T <sub>2N</sub> (kN·m)	i <sub>ex</sub>	P <sub>1N</sub> (kW)	T <sub>2N</sub> (kN·m)	i <sub>ex</sub>	P <sub>1N</sub> (kW)	T <sub>2N</sub> (kN·m)	i <sub>ex</sub>	P <sub>1N</sub> (kW)	T <sub>2N</sub> (kN·m)	i <sub>ex</sub>	P <sub>1N</sub> (kW)
1450	290	5	6.1	4.936	185	9.4	5.006	285				19	4.865	576				29.9	5.002	908
960	192				122			189						381						601
710	142				90			140						282						444
1450	259	5.6	6.2	5.480	167	9.4	5.488	254				19	5.333	515				29.9	5.483	811
960	171				111			168						341						537
710	127				82			124						252						397
1450	230	6.3	6.2	6.296	149	9.4	6.386	226	12	6.205	289	19	6.206	457	23.8	6.135	573	29.9	6.381	720
960	152				99			150			303			477						
710	113				73			111			224			281			353			
1450	204	7.1	6.2	6.959	131	9.4	7.058	200	12	6.802	256	19	6.860	405	23.8	6.725	508	29.9	7.053	638
960	135				87			132			268			422						
710	100				64			98			198			249			312			
1450	181	8	6.2	7.549	118	9.4	7.657	179	12	7.915	228	19	7.880	362	23.8	7.825	452	29.9	8.101	568
960	120				78			118			239			376						
710	88.8				58			88			177			222			278			
1450	161	9	6.2	8.693	104	9.4	8.817	159	12	8.749	202	19	8.569	321	23.8	8.649	402	29.9	8.810	505
960	107				69			105			212			334						
710	78.9				51			78			157			197			247			
1450	145	10	6.2	9.872	94	9.4	10.108	142	12	9.490	182	19	9.823	288	23.8	9.935	361	29.9	10.099	453
960	96				62			94			191			300						
710	71				46			70			141			177			222			
1450	129	11.2	6.2	10.769	83	9.4	10.923	127	12	10.928	162	19	10.615	257	23.8	10.804	322	29.9	10.914	405
960	85.7				55			84			170			268						
710	63.4				41			62			126			158			198			
1450	116	12.5	5.5	12.258	67	9.4	12.611	114	12	12.528	145	17	12.261	206	23.8	12.385	289	28	12.606	339
960	76.8				44			76			136			225						
710	56.8				33			56			101			142			166			
1450	104	14	6	13.484	65	9.8	13.964	105	12	13.538	130	18.2	13.515	196	23.8	13.385	257	29.5	14.137	319
960	68.6				43			70			130			211						
710	50.7				32			52			96			126			156			
1450	90.6	16	6.6	15.691	62	10.5	15.542	100	12	15.63	114	19.8	14.985	188	21.5	15.775	204	31	15.959	295
960	60				41			66			124			195						
710	44.4				30			49			92			100			144			
1450	80.6	18	6.7	17.482	56	11.3	17.407	95	12.6	17.307	105	21.1	17.692	177	23.1	17.041	193	33.9	17.963	284
960	53.3				37			63			117			188						
710	39.4				27			46			87			95			139			
1450	72.5	20	6.7	19.614	50	11.6	19.645	88	13.2	19.263	100	21.7	19.948	164	25	18.895	189	35.7	20.259	271
960	48				33			58			109			179						
710	35.5				25			43			80			93			133			
1450	64.7	22.4	6.7	21.919	45	11.6	21.954	78	14.2	21.575	96	21.7	22.146	147	26.5	22.308	179	35.7	22.208	242
960	42.9				30			52			97			160						
710	31.7				22			38			72			88			118			
1450	58	25	6.7	25.380	41	11.6	25.421	70	15.5	24.349	94	21.7	25.446	131	27.2	25.152	164	35.7	25.843	217
960	38.4				27			46			87			143						
710	28.4				20			34			64			106						
1450	51.8	28	6.7	27.836	36	11.6	27.881	63	15.5	27.211	84	21.7	28.125	118	27.2	27.923	148	35.7	28.563	194
960	34.3				24			42			78			129						
710	25.4				18			31			58			95						

HB

B...10			B...11			B...12			B...13			B...14			B...15			i <sub>N</sub>	n <sub>2N</sub> (r/min)	n <sub>1</sub> (r/min)
T <sub>2N</sub> (kN·m)	i <sub>ex</sub>	P <sub>1N</sub> (kW)	T <sub>2N</sub> (kN·m)	i <sub>ex</sub>	P <sub>1N</sub> (kW)	T <sub>2N</sub> (kN·m)	i <sub>ex</sub>	P <sub>1N</sub> (kW)	T <sub>2N</sub> (kN·m)	i <sub>ex</sub>	P <sub>1N</sub> (kW)	T <sub>2N</sub> (kN·m)	i <sub>ex</sub>	P <sub>1N</sub> (kW)	T <sub>2N</sub> (kN·m)	i <sub>ex</sub>	P <sub>1N</sub> (kW)			
					1397						2082						3704		290	1450
			46	4.897	925				68.6	4.967	1379				122	4.963	2452	5	192	960
					684						1020						1814		142	710
					1304						1888						3309		259	1450
			48.1	5.534	863				69.6	5.613	1250				122	5.609	2191	5.6	171	960
					639						924						1620		127	710
38	6.271	915			1209			1416			1778			2052			3131		230	1450
		606	50.2	6.296	801	58.8	6.226	938	73.8	6.386	1177	85.2	6.156	1359	130	6.340	2073	6.3	152	960
		448			592			693			870			1005			1533		113	710
38	6.875	811			1118			1300			1620			1864			2819		204	1450
		537	52.4	7.037	740	60.9	7.036	861	75.9	7.138	1073	87.3	6.957	1234	132	7.132	1866	7.1	135	960
		397			548			637			793			913			1380		100	710
38	8.000	723			1028			1201			1522			1741			2511		181	1450
		479	54	7.994	680	63.1	8.005	795	80	8.108	1007	91.5	7.915	1153	132	8.101	1663	8	120	960
		354			503			588			745			852			1230		88.8	710
38	8.842	642			913			1102			1371			1599			2231		161	1450
		425	54	8.693	604	65.2	8.947	730	81.1	8.817	908	94.6	8.847	1059	132	8.810	1477	9	107	960
		314			447			540			671			783			1092		78.9	710
38	10.157	576			820			1006			1231			1499			2004		145	1450
		381	54	9.965	543	66.3	10.164	666	81.1	10.108	815	98.8	10.049	993	132	10.099	1327	10	96	960
		282			401			493			603			734			981		71	710
38	11.045	515			732			899			1099			1375			1790		129	1450
		341	54	10.769	484	66.3	11.052	595	81.1	10.923	728	101	10.928	910	132	10.914	1185	11.2	85.7	960
		252			358			440			538			673			877		63.4	710
38	12.662	461			636			805			965			1232			1603		116	1450
		305	52.4	12.751	421	66.3	12.670	533	79.5	12.516	639	101	12.528	815	132	12.308	1061	12.5	76.8	960
		226			311			394			472			603			785		56.8	710
38	13.683	411			614			717			884			1098			1483		104	1450
		272	56.7	13.821	406	66.3	13.692	475	81.6	13.721	585	101	13.538	727	137	13.810	982	14	68.6	960
		201			301			351			433			538			726		50.7	710
35.6	15.804	338			569			630			797			945			1350		90.6	1450
		224	59.5	15.452	377	66.3	16.212	417	83.8	16.062	527	99.4	15.513	626	142	15.286	894	16	60	960
		166			279			309			390			463			661		44.4	710
37.5	17.724	314			520			584			728			856			1243		80.6	1450
		208	62	17.393	344	69.5	17.572	387	86.7	17.978	482	102	17.007	567	148	17.262	823	18	53.3	960
		154			255			286			356			419			609		39.4	710
39.3	20.009	298			481			551			688			797			1161		72.5	1450
		197	63.5	19.744	319	72.7	19.645	365	90.7	20.276	456	105	19.908	527	153	19.379	769	20	48	960
		146			236			270			337			390			568		35.5	710
41.8	22.520	283			430			512			615			732			1037		64.7	1450
		188	63.5	21.643	285	75.6	22.114	339	90.7	22.226	407	108	22.282	484	153	21.900	687	22.4	42.9	960
		139			211			251			301			358			508		31.7	710
43.8	25.400	266			385			469			550			685			929		58	1450
		176	63.5	25.185	255	77.2	25.103	310	90.7	25.864	364	113	25.131	454	153	24.916	615	25	38.4	960
		130			188			230			269			336			455		28.4	710
43.8	27.842	239			347			421			495			617			836		51.8	1450
		158	63.5	27.836	230	77.2	27.517	279	90.7	28.587	328	113	27.548	408	153	27.847	554	28	34.3	960
		117			170			206			242			302			409		25.4	710

注: □ 卧式安装齿轮箱要求采用强制润滑。

Note: □ Forced lubrication required on horizontal gear units.

B系列传动能力表(i=5-28): (续前页)

B Series(i=5-28) (continued):

n <sub>1</sub> (r/min)	n <sub>2N</sub> (r/min)	i <sub>N</sub>	B...16			B...17			B...18			B...19			B...20			B...21		
			T <sub>2N</sub> (kN·m)	i <sub>ex</sub>	P <sub>1N</sub> (kW)	T <sub>2N</sub> (kN·m)	i <sub>ex</sub>	P <sub>1N</sub> (kW)	T <sub>2N</sub> (kN·m)	i <sub>ex</sub>	P <sub>1N</sub> (kW)	T <sub>2N</sub> (kN·m)	i <sub>ex</sub>	P <sub>1N</sub> (kW)	T <sub>2N</sub> (kN·m)	i <sub>ex</sub>	P <sub>1N</sub> (kW)	T <sub>2N</sub> (kN·m)	i <sub>ex</sub>	P <sub>1N</sub> (kW)
1450	290	5																		
960	192					195														
710	142																			
1450	259	5.6			3662															
960	171		135	5.630	2424	195	5.514	3508												
710	127				1793			2594												
1450	230	6.3			3396															
960	152		141	6.362	2248	195	6.234	3110												
710	113				1663			2300												
1450	204	7.1			3096															
960	135		145	7.192	2050	195	7.012	2757	230	7.239	3259									
710	100				1663			2039			2410									
1450	181	8			2816															
960	120		148	8.090	1864	195	7.965	2456	230	8.143	2897									
710	88.8				1379			1817			2143									
1450	161	9			2502															
960	107		148	9.190	1656	195	8.662	2182	230	9.250	2573									
710	78.9				1225			1614			1903									
1450	145	10			2247															
960	96		148	9.993	1487	195	9.930	1960	230	10.059	2312									
710	71				1100			1449			1710									
1450	129	11.2			2007															
960	85.7		148	11.456	1329	195	10.731	1751	230	11.531	2065									
710	63.4				983			1295			1527									
1450	116	12.5			1797															
960	76.8		148	12.380	1190	195	12.297	1568	230	12.462	1850	250	12.326	2010				340	12.499	2734
710	56.8				880			1160			1368			1487						2022
1450	104	14			1603															
960	68.6		148	13.961	1061	195	13.790	1398	230	14.28	1649	262	13.709	1878	295	14.062	2115	360	13.902	2581
710	50.7				785			1034			1219			1389			1564			1909
1450	90.6	16			1465															
960	60		154	15.665	970	200	15.655	1260	230	16.014	1448	275	15.333	1732	308	15.640	1940	380	15.549	2394
710	44.4				717			932			1071			1281			1435			1770
1450	80.6	18			1344															
960	53.3		160	17.339	890	200	17.522	1112	240	17.472	1334	288	17.267	1602	320	17.493	1780	400	17.510	2225
710	39.4				658			823			987			1185			1316			1645
1450	72.5	20			1267															
960	48		167	19.581	839	200	19.762	1005	240	20.348	1206	300	19.607	1508	332	19.698	1668	420	19.883	2111
710	35.5				621			743			892			1115			1234			1561
1450	64.7	22.4			1173															
960	42.9		173	21.982	776	200	22.333	898	240	22.950	1077	300	22.158	1347	345	22.368	1549	420	22.470	1885
710	31.7				574			664			797			996			1145			1394
1450	58	25			1050															
960	38.4		173	24.842	695	200	25.409	804	240	25.936	964	300	25.048	1206	345	25.278	1387	420	25.400	1688
710	28.4				514			595			713			892			1026			1249
1450	51.8	28			945															
960	34.3		173	28.263	626	200	28.398	723	240	29.507	868	300	28.175	1085	345	28.576	1248	420	28.571	1519
710	25.4				463			535			642			803			923			1124

注:  卧式安装齿轮箱要求采用强制润滑。

Note:  Forced lubrication required on horizontal gear units.

B...22			B...23			B...24			B...25			B...26			i <sub>N</sub>	n <sub>2N</sub> (r/min)	n <sub>1</sub> (r/min)
T <sub>2N</sub> (kN·m)	i <sub>ex</sub>	P <sub>1N</sub> (kW)	T <sub>2N</sub> (kN·m)	i <sub>ex</sub>	P <sub>1N</sub> (kW)	T <sub>2N</sub> (kN·m)	i <sub>ex</sub>	P <sub>1N</sub> (kW)	T <sub>2N</sub> (kN·m)	i <sub>ex</sub>	P <sub>1N</sub> (kW)	T <sub>2N</sub> (kN·m)	i <sub>ex</sub>	P <sub>1N</sub> (kW)			
															5	290	1450
																192	960
																142	710
															5.6	259	1450
																171	960
																127	710
															6.3	230	1450
																152	960
																113	710
															7.1	204	1450
																135	960
																100	710
															8	181	1450
																120	960
																88.8	710
															9	161	1450
																107	960
																78.9	710
															10	145	1450
																96	960
																71	710
															11.2	129	1450
																85.7	960
																63.4	710
															12.5	116	1450
																76.8	960
																56.8	710
405	13.97	4386													14	104	1450
		2904														68.6	960
		2148														50.7	710
422	15.538	4015													16	90.6	1450
		2658														60	960
		1966														44.4	710
428	17.378	3679													18	80.6	1450
		2436														53.3	960
		1802														39.4	710
455	19.570	3454	560	19.591	4250				800						20	72.5	1450
		2287			2814						4020					48	960
		1691			2081						2973					35.5	710
470	22.222	3187	560	22.139	3797	640	21.930	2874	800	21.793	3618	900			22.4	64.7	1450
		2110			2514			2125			2676			4070		42.9	960
		1561			1859			2125						3010		31.7	710
470	25.113	2854	560	25.027	3401	640	24.783	3886	800	24.635	3216	900	25.095		25	58	1450
		1889			2252			1903			2379			3618		38.4	960
		1397			1665			1903			2379			2676		28.4	710
470	28.389	2568	560	28.151	3060	640	28.015	3497	800	27.711	4372	900	28.368		28	51.8	1450
		1700			2026			2316			2895			3256		34.3	960
		1258			1499			1713			2141			2408		25.4	710

B2

B3

HB

注:  卧式安装齿轮箱要求采用强制润滑。

Note:  Forced lubrication required on horizontal gear units.





B系列传动能力表(i=31.5-400): (续前页)

B Series(i=31.5-400) (continued):

Table with columns for gear ratios (n1, n2N), gear ratio (iN), torque (T2N), efficiency (iex), and power (P1N) for series B...16 through B...21. Each series is subdivided by gear ratio values like 173, 200, 240, 300, 345, 420.

HB

注: □ 卧式安装齿轮箱要求采用强制润滑。

Note: □ Forced lubrication required on horizontal gear units.







6 热容量表：  
H系列额定热容量(kW):

6 Thermal Capacity:  
H Series Nominal Thermal Capacity (kW):

in		3			5			7			9			11		
		710	960	1450	710	960	1450	710	960	1450	710	960	1450	710	960	1450
1.25	PGA	78	63		127			129			93					
	PGB	166	187	210	396	402	372	545	517	408	623	536				
	PGC	244	271	307	583	639	686	840	911	946	1203	1288	1276			
	PGD	316	377	472	803	934	1117	1153	1322	1537	1589	1783	1991			
1.4	PGA	78	65		134			145			127					
	PGB	164	186	212	397	409	392	550	534	447	650	578	375			
	PGC	237	264	299	572	629	680	820	892	937	1188	1277	1285			
	PGD	306	366	459	784	916	1104	1126	1298	1523	1557	1760	1992			
1.6	PGA	78	69		141			160			170			100		
	PGB	159	183	213	387	412	420	532	540	500	665	630	495	938	729	
	PGC	222	248	284	540	595	655	785	833	894	1134	1230	1276	1946	2057	1944
	PGD	289	347	438	739	870	1063	1043	1214	1452	1489	1706	1982	2579	2838	3039
1.8	PGA	88	80		145			176			192			158		
	PGB	176	205	241	375	410	435	535	561	554	662	655	575	970	821	
	PGC	240	269	309	507	561	625	744	819	894	1087	1187	1259	1895	2025	1990
	PGD	313	376	478	698	827	1019	1019	1196	1450	1425	1650	1953	2504	2802	3106
2	PGA	86	79		143	104		177			203			196		
	PGB	169	197	234	361	397	427	518	549	553	648	651	590	980	852	509
	PGC	228	256	295	479	531	593	705	778	852	1033	1130	1207	1824	1955	1947
	PGD	297	358	455	657	779	964	965	1135	1382	1354	1573	1873	2400	2700	3026
2.24	PGA	83	78		140	109		175			211			232		
	PGB	161	189	227	342	382	422	481	520	544	624	645	620	969	887	631
	PGC	215	241	278	446	496	558	636	704	779	967	1063	1151	1726	1864	1902
	PGD	280	338	431	615	733	913	870	1029	1264	1270	1485	1790	2276	2588	2964
2.5	PGA	77	73		135	108		170			210			250		
	PGB	148	175	211	322	362	405	452	494	525	593	621	614	942	884	676
	PGC	193	216	251	412	459	518	586	649	723	895	986	1075	1618	1753	1810
	PGD	252	304	388	568	679	848	802	950	1172	1177	1381	1674	2131	2437	2819
2.8	PGA	73	70	50	128	105		180	133		226			261		
	PGB	139	164	199	300	340	384	463	511	553	611	649	658	900	865	705
	PGC	177	199	231	376	419	475	591	655	733	901	994	1091	1495	1625	1698
	PGD	232	281	359	518	620	777	808	959	1189	1181	1390	1695	1970	2265	2647
3.15	PGA	73	73	64	137	127		213	189		263	217		344		
	PGB	134	161	200	296	348	415	519	601	702	644	731	828	947	1019	1055
	PGC	172	193	226	371	416	481	687	769	881	978	1091	1237	1522	1682	1858
	PGD	222	270	348	507	612	779	948	1140	1442	1294	1548	1941	1989	2349	2879
3.55	PGA	67	68	60	136	127		199	178		249	209		330		
	PGB	122	147	183	288	340	407	475	553	649	598	682	778	875	949	998
	PGC	155	174	204	355	398	460	615	689	791	885	988	1124	1372	1519	1685
	PGD	201	244	314	484	585	746	853	1027	1301	1174	1407	1768	1798	2128	2617
4	PGA	61	62	56	125	118	85	183	167		218	189		318	235	
	PGB	111	134	166	261	309	374	425	498	591	507	585	677	808	891	964
	PGC	137	155	181	315	353	410	539	604	696	733	820	937	1236	1372	1534
	PGD	178	217	280	430	521	665	748	902	1147	978	1175	1483	1622	1927	2387
4.5	PGA	68	70	66	131	129	106	191	183	135	257	238		318	267	
	PGB	118	144	180	264	316	389	424	504	611	567	667	795	765	872	994
	PGC	147	165	194	315	354	413	533	599	696	810	908	1049	1174	1310	1489
	PGD	189	230	298	429	521	669	734	889	1137	1071	1294	1646	1548	1855	2330
5	PGA	62	64	63	125	125	111	187	184	151	238	228	169	324	290	
	PGB	108	131	165	249	301	373	406	488	599	511	608	738	747	869	1020
	PGC	130	147	173	296	333	390	501	564	659	713	801	930	1110	1243	1427
	PGD	169	205	266	403	490	631	693	841	1080	945	1145	1464	1470	1770	2242
5.6	PGA	55	57	56	111	111	99	168	166	136	229	220	163	310	277	
	PGB	95	116	146	220	266	330	363	435	535	488	581	704	708	823	967
	PGC	114	128	151	256	288	337	440	494	577	663	745	866	1040	1164	1337
	PGD	147	179	232	350	425	548	609	739	949	884	1071	1370	1381	1663	2106

HB

H系列額定热容量(kW):

H Series Nominal Thermal Capacity (kW):

13			15			17			19			in	
710	960	1450	710	960	1450	710	960	1450	710	960	1450		
												PGA	1.25
												PGB	
												PGC	
												PGD	
												PGA	1.4
												PGB	
												PGC	
												PGD	
864	510											PGA	1.6
2394	2459	2060										PGB	
3156	3313	3187										PGC	
												PGD	
981	674											PGA	1.8
2318	2417	2161										PGB	
3033	3264	3328										PGC	
												PGD	
115												PGA	2
1052	757		770									PGB	
2260	2368	2161	2047	2073	1626							PGC	
2941	3190	3313	3037	3116	2826							PGD	
179												PGA	2.24
1085	851		881	523								PGB	
2163	2290	2172	1993	2048	1719							PGC	
2817	3104	3336	2924	3073	2963							PGD	
222												PGA	2.5
1087	888		971	621								PGB	
2044	2174	2102	1947	2016	1746							PGC	
2660	2955	3228	2818	2996	2972							PGD	
253												PGA	2.8
1062	902		1031	707		857	500					PGB	
1903	2034	2002	1877	1957	1748	2147	2203	1836				PGC	
2475	2770	3075	2689	2892	2947	3075	3223	3087				PGD	
378			248									PGA	3.15
1116	1128	1033	1252	1146	816	1215	1040					PGB	
1895	2075	2221	2018	2179	2223	2352	2517	2487				PGC	
2445	2844	3394	2790	3147	3634	3231	3624	4035				PGD	
377			290			212						PGA	3.55
1053	1078	1014	1221	1140	860	1249	1096	678				PGB	
1728	1896	2042	1872	2027	2087	2223	2387	2387				PGC	
2231	2603	3123	2575	2942	3397	3026	3412	3839				PGD	
372			318			277						PGA	4
976	1024	1012	1158	1124	938	1229	1132	821	1184	1032	623	PGB	
1066	1715	1870	1701	1851	1943	2047	2212	2263				PGC	
2014	2364	2866	2336	2692	3159	2772	3158	3625				PGD	
415	304		418			395			192			PGA	4.5
1006	1107	1193	1235	1289	1261	1297	1307	1192	1310	1274	1069	PGB	
1607	1783	1992	1734	1908	2075	2035	2227	2382				PGC	
2083	2474	3062	2355	2760	3339	2726	3170	3779				PGD	
415	340		455			506			229			PGA	5
959	1087	1227	1209	1317	1395	1450	1541	1560	1531	1585	1526	PGB	
1512	1686	1911	1643	1820	2022	2197	2424	2660				PGC	
1963	2348	2942	2230	2642	3255	2928	3447	4202				PGD	
379	311		424			486			208			PGA	5.6
863	978	1104	1097	1195	1266	1333	1416	1433	1608	1665	1604	PGB	
1326	1478	1675	1451	1608	1787	1955	2157	2367				PGC	
1726	2065	2586	1974	2338	2880	2607	3069	3741				PGD	

HB





H系列額定热容量(kW):

H Series Nominal Thermal Capacity (kW):

in	18			19			20			21			22			23-26		
	710	960	1450	710	960	1450	710	960	1450	710	960	1450	710	960	1450	710	960	1450
6.3	PGA			189														
	PGB																	
	PGC																	
	PGD																	
7.1	PGA	175			250			212			228							
	PGB	770	659															
	PGC	1556	1737	1443														
	PGD	2086	2260	2209														
8	PGA	234			294			271			290			243				
	PGB	798	719															
	PGC	1509	1693	1500														
	PGD	2001	2203	2260														
9	PGA	276			330			320			344			311				
	PGB	814	789	542														
	PGC	1470	1662	1608														
	PGD	1943	2191	2400														
10	PGA	304			366			353			395			362				
	PGB	816	830	691														
	PGC	1416	1611	1649														
	PGD	1870	2143	2447														
11.2	PGA	322	223		388			387			430			409				
	PGB	806	847	787														
	PGC	1360	1553	1651														
	PGD	1786	2070	2431														
12.5	PGA	330	250		411	301		406	289		461			440				
	PGB	784	844	840														
	PGC	1283	1470	1605														
	PGD	1682	1965	2355														
14	PGA	345	281		413	328		429	333		470			472				
	PGB	783	860	906														
	PGC	1246	1431	1600														
	PGD	1632	1921	2342														
16	PGA	339	292		401	341		428	354		464	336		478				
	PGB	750	837	919														
	PGC	1166	1341	1528														
	PGD	1528	1810	2236														
18	PGA	330	299		403	362		419	368		462	367		473	352			
	PGB	709	805	919														
	PGC	1078	1243	1442														
	PGD	1417	1689	2114														
20	PGA	329	304		395	361		418	378		450	373		474	372			
	PGB	688	787	915														
	PGC	1023	1181	1382														
	PGD	1341	1602	2019														
22.4	PGA	322	300		353	325		406	369		419.1	350		455	362			
	PGB	667	764	893														
	PGC	981	1133	1329														
	PGD	1285	1537	1939														
25	PGA	295	276		349	323		364	333		430	363		427	343			
	PGB	419	451	455														
	PGC	771	906	1035														
	PGD	893	1033	1227														
28	PGA	286	274	196	343	326	222	359	338		433	380		439	370			
	PGB	404	441	464														
	PGC	727	854	988														
	PGD	843	981	1182														
31.5	PGA	281	276	216	336	327	246	353	341	249	431	394		440	389			
	PGB	398	440	480														
	PGC	703	826	967														
	PGD	813	952	1165														
35.5	PGA	273	274	232	326	325	268	346	342	276	426	404	273	438	404			
	PGB	387	433	489														
	PGC	672	789	935														
	PGD	778	916	1137														

HB







H系列 额定热容量(kW):

H Series Nominal Thermal Capacity (kW):

18			19			20			21			22			23	24	25	26		in
710	960	1450	710	960	1450	710	960	1450	710	960	1450	710	960	1450	710	960	1450	710		
260	264	231	314	317	272	335	336	283	416	401	293	432	407	269					PGA	40
366	412	474																	PGB	
622	730	871																	PGC	
722	853	1066																	PGD	
249	254	227	311	316	276	323	326	280	403	393	297	421	402	278					PGA	45
351	397	460																	PGB	
586	689	823																	PGC	
680	804	1009																	PGD	
247	259	250	306	320	304	319	332	313	403	410	360	409	410	344					PGA	50
348	399	480																	PGB	
572	671	815																	PGC	
666	793	1012																	PGD	
243	258	260	293	311	310	314	332	329	385	401	379	408	421	387					PGA	56
341	394	485																	PGB	
562	660	808																	PGC	
650	777	1001																	PGD	
231	250	262	273	295	307	300	324	336	369	393	397	390	413	411					PGA	63
323	378	474																	PGB	
524	616	760																	PGC	
608	730	950																	PGD	
218	237	249	269	292	306	280	303	316	349	373	381	373	397	400					PGA	71
305	357	450																	PGB	
486	571	706																	PGC	
562	676	881																	PGD	
210	228	241	255	277	292	276	299	315	332	358	369	352	377	384					PGA	80
293	343	433																	PGB	
465	546	676																	PGC	
539	648	846																	PGD	
201	219	233	242	263	280	261	283	300	323	349	363	336	361	372					PGA	90
280	329	417																	PGB	
440	516	640																	PGC	
510	614	803																	PGD	
189	208	226	234	253	264	248	272	294	322	346	348	326	356	379	423		507		PGA	100
263	310	397																	PGB	
407	478	595																	PGC	
472	569	748																	PGD	
171	185	198	224	243	259	240	260	276	315	340	352	325	350	358	413	430	495	515	PGA	112
																			PGB	
																			PGC	
																			PGD	
164	177	192	217	235	254	229	249	268	305	330	348	318	344	359	405	422	485	504	PGA	125
158	171	188	208	227	248	222	241	263	288	313	336	308	334	356	394	410	471	491	PGA	140
152	165	182	200	218	240	213	232	255	276	301	327	291	317	342	378	393	452	470	PGA	160
145	158	177	191	208	232	205	224	249	272	297	329	279	304	335	364	379	436	453	PGA	180
143	156	175	184	201	226	196	214	240	257	280	314	275	300	335	359	373	428	446	PGA	200
138	151	170	177	193	219	188	206	233	245	268	303	259	283	321	355	369	425	442	PGA	224
129	141	159	168	183	208	181	198	224	232	253	287	247	270	305	340	353	406	423	PGA	250
122	133	151	161	176	199	172	188	213	222	243	276	233	255	289	322	335	388	403	PGA	280
119	130	147	158	172	195	165	181	204	213	233	264	224	245	278	310	323	371	386	PGA	315
114	124	141	150	164	186	162	177	200	203	222	252	216	236	267	301	314	361	375	PGA	355
111	121	138				154	168	190				206	225	255		298		356	PGA	400
																			PGA	450

HB





B系列 额定热容量(kW):

B Series Nominal Thermal Capacity (kW):

in		18			19			20			21			22			23-26			
		710	960	1450	710	960	1450	710	960	1450	710	960	1450	710	960	1450	710	960	1450	
5	PGA																			
	PGB																			
	PGC																			
	PGD																			
5.6	PGA																			
	PGB																			
	PGC																			
	PGD																			
6.3	PGA																			
	PGB																			
	PGC																			
	PGD																			
7.1	PGA	263																		
	PGB	832	897	760																
	PGC	1694	1919	2177																
	PGD	2220	2558	2817																
8	PGA	272																		
	PGB	799	874	808																
	PGC	1582	1793	2043																
	PGD	2073	2402	2729																
9	PGA	269																		
	PGB	742	823	812																
	PGC	1434	1624	1858																
	PGD	1877	2188	2549																
10	PGA	266																		
	PGB	715	799	818																
	PGC	1364	1546	1772																
	PGD	1782	2085	2464																
11.2	PGA	260	187																	
	PGB	677	760	797																
	PGC	1270	1439	1652																
	PGD	1654	1940	2315																
12.5	PGA	242	186																	
	PGB	611	691	749																
	PGC	1126	1276	1468																
	PGD	1470	1730	2093																
14	PGA	323	259																	
	PGB	705	798	792																
	PGC	1211	1410	1569																
	PGD	1550	1838	2110																
16	PGA	298	245																	
	PGB	645	732	741																
	PGC	1109	1292	1447																
	PGD	1416	1682	1949																
18	PGA	314	263																	
	PGB	670	763	787																
	PGC	1144	1332	1503																
	PGD	1461	1738	2033																
20	PGA	288	246		324	271					371	270								
	PGB	613	700	736	715	814	839				805	899	813							
	PGC	1043	1214	1379										384	270	793				
	PGD	1334	1589	1876										815	907					
22.4	PGA	279	243		322	276		339	286		370	279								
	PGB	589	675	722	696	795	836	732	833	864	785	881	824							
	PGC	1000	1164	1332										381	291	844				
	PGD	1279	1525	1816										795	893					
25	PGA	277	250		315	281		337	297		362	292								
	PGB	574	661	732	664	763	833	711	816	881	747	846	841							
	PGC	958	1116	1294										372	306	869				
	PGD	1226	1467	1780										755	857					
28	PGA	265	248	182	307	285	200	328	302		352	301								
	PGB	537	621	711	633	731	828	678	782	878	710	811	855							
	PGC	872	1015	1193																
	PGD	1114	1336	1650																

HB





B系列 额定热容量(kW):

B Series Nominal Thermal Capacity (kW):

18			19			20			21			22			23	24	25	26		in
710	960	1450	710	960	1450	710	960	1450	710	960	1450	710	960	1450	710	710	710	710		
260	250	199	293	279	216	319	302	227	334	299		361	312						PGA	31.5
523	608	712	593	688	799	646	749	863	661	759	831	718	821	871					PGB	
844	982	1165																	PGC	
1078	1296	1620																	PGD	
247	241	203	287	278	228	304	293	235	324	297		342	306						PGA	35.5
489	569	677	572	666	786	605	703	825	634	731	821	667	767	839					PGB	
771	897	1071																	PGC	
987	1188	1498																	PGD	
239	236	204	273	267	226	296	289	240	307	287	208	331	302						PGA	40.0
469	548	657	538	627	747	583	679	805	593	686	783	640	738	822					PGB	
733	853	1022																	PGC	
939	1132	1434																	PGD	
228	228	203	255	253	221	282	278	240	285	270	207	314	291	206					PGA	45.0
445	520	629	498	582	700	547	638	765	546	634	733	599	692	785					PGB	
685	798	960																	PGC	
876	1057	1346																	PGD	
212	216	204	252	256	240	264	267	247	307	302	260	291	283	232					PGA	50.0
410	481	594	478	561	690	508	595	730	572	668	799	551	641	757					PGB	
622	725	880																	PGC	
796	963	1240																	PGD	
220	228	225	243	251	245	260	268	260	291	294	271	313	312	279					PGA	

379	447	563	442	520	654	467	549	689	518	608	752	541	633	776					PGB	63.0
564	657	805																	PGC	
718	869	1133																	PGD	
195	204	205	223	232	232	243	252	251	265	272	261	287	291	273					PGA	71.0
362	426	539	414	487	615	449	529	666	485	569	707	522	612	754					PGB	
532	620	760																	PGC	
680	824	1075																	PGD	
184	193	196	234	250	256	229	239	240	327	351	343	270	276	262	459		549		PGA	80.0
339	400	507				421	495	626				489	574	710					PGB	
490	570	700																	PGC	
628	761	994																	PGD	
176	188	195	224	240	248	239	256	264	317	339	337	331	355	345	454	472	543	570	PGA	90
168	180	188	212	227	236	230	246	255	298	319	321	344	339	450	468	539	566	570	PGA	100
158	169	179	202	216	227	217	232	243	289	309	315	301	322	323	408	424	488	513	PGA	112
151	161	172	192	205	218	207	221	234	271	291	300	292	313	318	408	424	488	513	PGA	125
144	154	165	185	198	211	197	211	225	262	281	294	275	294	304	383	399	458	481	PGA	140
139	148	160	175	187	202	189	203	218	248	265	281	265	284	298	372	386	444	467	PGA	160
130	139	152	163	175	190	179	191	208	231	248	266	251	269	286	355	369	425	446	PGA	180
124	132	146	162	174	191	167	179	196	224	240	260	235	251	271	329	342	394	413	PGA	200
121	130	144	153	163	181	167	179	198	209	224	246	227	243	266	328	341	392	412	PGA	224
114	122	136	148	158	176	157	168	187	203	217	241	212	227	252	304	317	364	382	PGA	250
110	117	132	139	148	167	151	161	182	194	207	233	205	220	247	290	302	347	364	PGA	280
103	110	124	131	140	158	143	153	172	180	193	217	196	210	236	273	284	326	343	PGA	315
97.6	104	117				135	144	162				183	196	220		260		314	PGA	355
																			PGA	400

HB

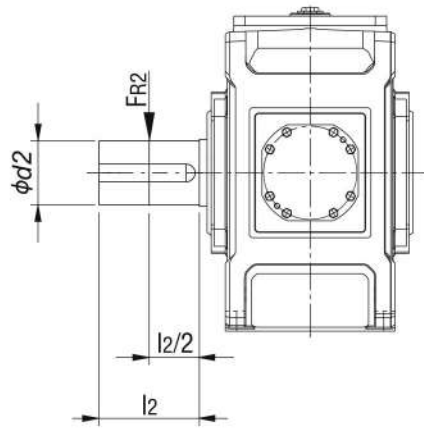


7 输出轴允许的附加径向力:

7 Permissible Additional Radial Forces on Output Shaft:

7.1 输出轴d2上允许的附加径向力:

7.1 Permissible Additional Radial Forces on Output Shaft d2:



允许的附加径向力Fr2 (kN) , 作用于输出轴端中部\*\*  
Permissible Additional Radial Forces Fr2(kN) acting on the center of the output shaft \*\*

型号 Type	布置形式 Design	3	4	5	6	7	8	9	10	11	12	13	14	15	16	17	18	19	20	21	22	23	24	25	26
H1SH	A+B	*																							
H2SH	A+B+G+H	—	10	22	22	30	30	30	45	64	64	150	150	140	205	205	205	365	372	395	400	470	465	460	530
	C+D		10	13	13	18	18	10	28	35	35	112	112	85	135	135	135	284	305	308	330	365	380	355	430
H3SH	A+B+G+H			29	29	40	40	40	60	85	85	190	190	185	265	265	265	365	372	395	400	470	465	460	530
	C+D			18	18	26	26	18	40	50	50	150	150	120	185	185	190	284	305	308	330	365	380	355	430
H4SH	C+D					40	40	40	60	85	85	190	190	185	265	265	265	365	372	395	400	470	465	460	530
	A+B+G+H			18	18	26	26	18	40	50	50	150	150	120	185	185	190	284	305	308	330	365	380	355	430
B2SH	A+C		13	27	27	37	37	38	55	78	78	160	160	150	210	210	210	365	372	395	400	470	465	460	530
	B+D		12	15	15	17	17	10	30	35	38	110	110	75	145	100	100	284	305	308	330	365	380	355	430
B3SH	A+C		14	29	29	40	40	40	60	85	85	190	190	185	265	265	265	365	372	395	400	470	465	460	530
	B+D			18	18	26	26	18	40	50	50	150	150	120	185	185	190	284	305	308	330	365	380	355	430
B4SH	A+C			29	29	40	40	40	60	85	85	190	190	185	265	265	265	365	372	395	400	470	465	460	530
	B+D			18	18	26	26	18	40	50	50	150	150	120	185	185	190	284	305	308	330	365	380	355	430

注:

- 1) 如果给定了力的作用角和回转方向, 通常情况下, 可允许承受较大的附加力。请与我司联系。
- 2) \*敬请垂询。
- 3) \*\*当作用力不在轴端中部时, 请参见7.2。
- 4) 基础螺栓的最低性能等级为8.8级。基础必须干燥, 不得有油脂。如用户要求, 允许输入轴d1上附加径向力, 具体请与我司联系。

Note:

- 1) If angle of action and direction of swing of the force are known, in most cases, higher radial force can be allowed. Please consult us.
- 2) \*Upon request.
- 3) \*\*For application of force outside the center of the shaft end, see 7.2.
- 4) The min. requirement of the foundation bolt is class 8.8. The foundation must be dry and grease-free. Permissible additional radial force on input shaft d1 is upon request.



7.2 输出轴d2上允许的附加径向力:

7.2 Permissible Additional Radial Forces on Output Shaft d2:

作用力不在轴端中部  
The application of forces  
outside the center of shaft end

$F_{RZ2} = F_{R2} \times k$

$F_{RZ2}$  允许的轴端外部径向力  
Permissible external radial force

$F_{R2}$  允许的附加径向力  
根据第2页上的表确定。  
Permissible additional radial force  
according to the table on P2.

$k$  作用力系数根据下表确定  
The factor for action force is in  
the tale below.

作用力系数k Factor for action force (k)

规格 Size	距离 Distance z ( mm )																									
	-350	-300	-250	-200	-150	-100	-75	-50	-25	0	25	50	75	100	150	200	250	300	350	400						
3								1.21	1.09	1	0.85	0.74	0.65	0.58	0.48											
4								1.17	1.08	1	0.86	0.76	0.68	0.62	0.52	0.44										
5\6								1.22	1.14	1.06	1	0.88	0.79	0.72	0.66	0.62	0.52	0.44								
7\8								1.19	1.12	1.06	1	0.89	0.81	0.74	0.68	0.58	0.51	0.46	0.41							
9\10								1.22	1.15	1.1	1.05	1	0.9	0.82	0.76	0.7	0.61	0.54	0.48	0.44						
11\12								1.18	1.13	1.08	1.04	1	0.91	0.84	0.78	0.73	0.64	0.57	0.51	0.47						
13\14								1.24	1.15	1.11	1.07	1.03	1	0.92	0.86	0.8	0.75	0.67	0.6	0.55	0.5					
15\16								1.2	1.12	1.09	1.06	1.03	1	0.93	0.87	0.82	0.77	0.69	0.63	0.58	0.53					
17\18								1.25	1.17	1.11	1.08	1.05	1.03	1	0.94	0.88	0.84	0.79	0.72	0.66	0.6	0.56				
19\20								1.22	1.13	1.1	1.06	1.04	1.02	1	0.95	0.9	0.85	0.81	0.74	0.69	0.62	0.58				
21\22								1.27	1.21	1.12	1.09	1.05	1.04	1.02	1	0.96	0.92	0.86	0.83	0.75	0.71	0.64	0.6			
23\24								1.27	1.2	1.1	1.08	1.04	1.03	1.02	1	0.97	0.93	0.87	0.84	0.77	0.72	0.65	0.61			
25\26								1.29	1.22	1.18	1.09	1.07	1.03	1.03	1.02	1	0.98	0.96	0.87	0.83	0.76	0.7	0.64	0.61	0.55	0.51



8 布置形式:

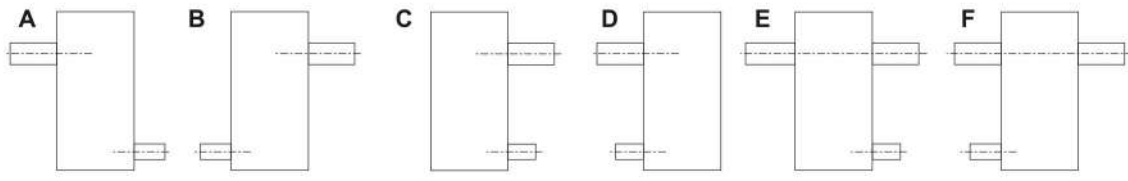
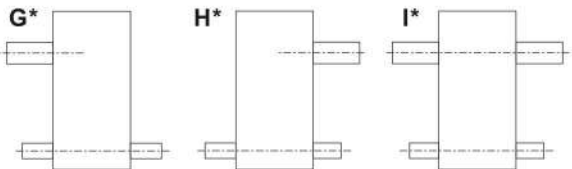
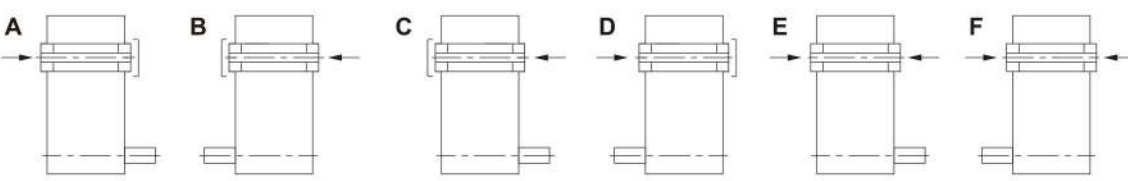
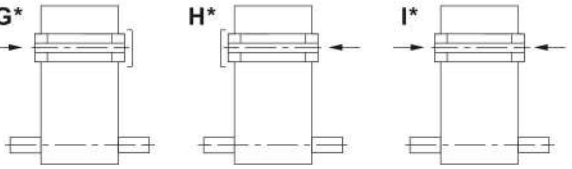
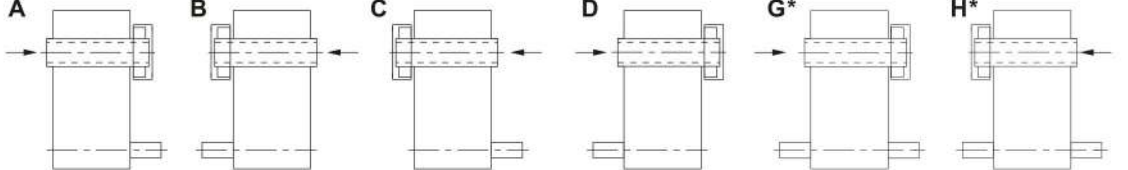
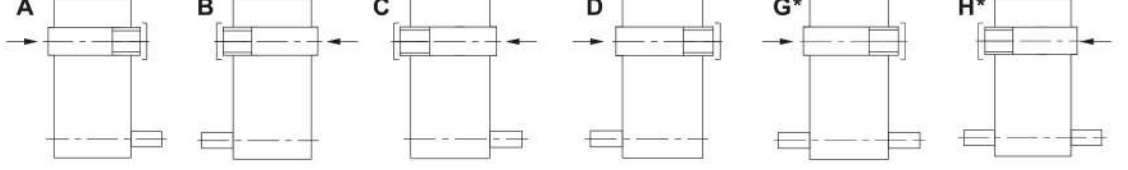
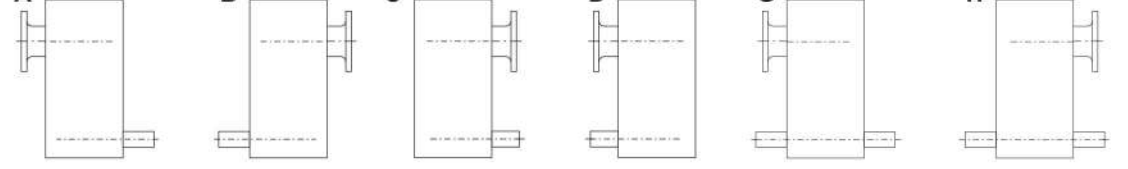
8.1 H系列布置形式:

轴布置:

8 Designs:

8.1 H series designs:

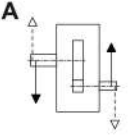
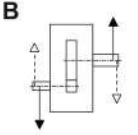
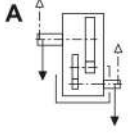
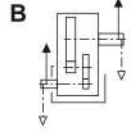
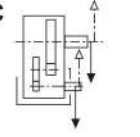
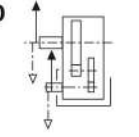
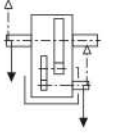
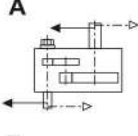
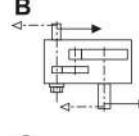
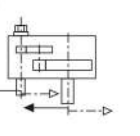
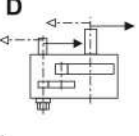
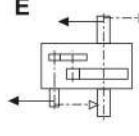
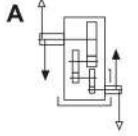
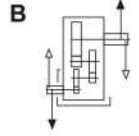
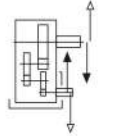
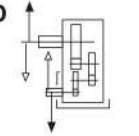
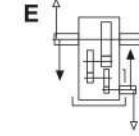
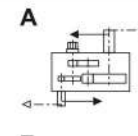
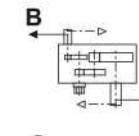
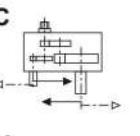
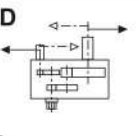
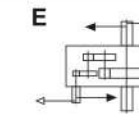
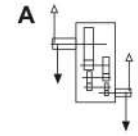
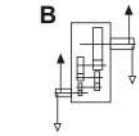
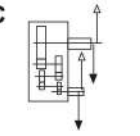
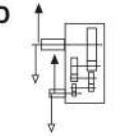
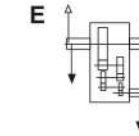
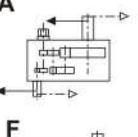
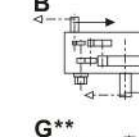
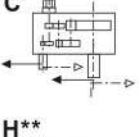
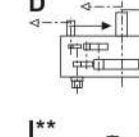
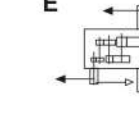
Designs of shafts

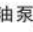
<p>实心轴 Solid shaft</p> <p>H.SH H.SV</p>	  <p>注: H1系列仅供货实心轴A、B布置形式。 Note: H1 series only supply solid shaft with A, B design.</p>																																																																		
<p>空心轴 Hollow shaft</p> <p>H.HH H.HV H.HM</p>	 																																																																		
<p>带锁紧盘空心轴 Hollow shaft with shrink disk</p> <p>H.DH H.DV H.DM</p>																																																																			
<p>带花键空心轴 Hollow shaft with involute spline</p> <p>H.KH H.KV H.KM</p>																																																																			
<p>法兰轴 Flanged shaft</p> <p>H.FH H.FV H.FM</p>																																																																			
<p>*) 当布置形式 G\H\I 在右表中iN时不可供货 *) Designs G\H\I with iN values shown in the right hand table are on request.</p>	<table border="1"> <thead> <tr> <th>size type</th> <th>4</th> <th>5</th> <th>6</th> <th>7</th> <th>8</th> <th>9</th> <th>10</th> <th>11</th> <th>12</th> <th>13</th> <th>14</th> <th>15</th> <th>16</th> <th>17</th> <th>18</th> <th>≥19</th> </tr> </thead> <tbody> <tr> <td>H2</td> <td>20 22.4</td> <td>20 22.4</td> <td>25 28</td> <td>18 20 22.4</td> <td>22.4 25 28</td> <td>18 20 22.4</td> <td>22.4 25 28</td> <td>20 22.4</td> <td>25 28</td> <td>18 20</td> <td>22.4 25</td> <td>18 20</td> <td>20 22.4</td> <td>18 20</td> <td>20 22.4</td> <td rowspan="3">敬 请 垂 询 On request</td> </tr> <tr> <td>H3</td> <td>/</td> <td>80 90</td> <td>100 112</td> <td>80 90</td> <td>100 112</td> <td>90</td> <td>112</td> <td>80 90</td> <td>100 112</td> <td>80 90</td> <td>100 112</td> <td>90</td> <td>100</td> <td>90</td> <td>100</td> </tr> <tr> <td>H4</td> <td>/</td> <td>/</td> <td>/</td> <td>250 280 315 355</td> <td>315 355 400 450</td> <td>280 315 355</td> <td>355 400 450</td> <td>280 315 355</td> <td>355 400 450</td> <td>280 315 355</td> <td>355 400 450</td> <td>280 315 355</td> <td>315 355 400</td> <td colspan="2">敬 请 垂 询 On request</td> </tr> </tbody> </table>	size type	4	5	6	7	8	9	10	11	12	13	14	15	16	17	18	≥19	H2	20 22.4	20 22.4	25 28	18 20 22.4	22.4 25 28	18 20 22.4	22.4 25 28	20 22.4	25 28	18 20	22.4 25	18 20	20 22.4	18 20	20 22.4	敬 请 垂 询 On request	H3	/	80 90	100 112	80 90	100 112	90	112	80 90	100 112	80 90	100 112	90	100	90	100	H4	/	/	/	250 280 315 355	315 355 400 450	280 315 355	355 400 450	280 315 355	355 400 450	280 315 355	355 400 450	280 315 355	315 355 400	敬 请 垂 询 On request	
size type	4	5	6	7	8	9	10	11	12	13	14	15	16	17	18	≥19																																																			
H2	20 22.4	20 22.4	25 28	18 20 22.4	22.4 25 28	18 20 22.4	22.4 25 28	20 22.4	25 28	18 20	22.4 25	18 20	20 22.4	18 20	20 22.4	敬 请 垂 询 On request																																																			
H3	/	80 90	100 112	80 90	100 112	90	112	80 90	100 112	80 90	100 112	90	100	90	100																																																				
H4	/	/	/	250 280 315 355	315 355 400 450	280 315 355	355 400 450	280 315 355	355 400 450	280 315 355	355 400 450	280 315 355	315 355 400	敬 请 垂 询 On request																																																					

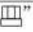


旋转方向关系:

Direction of rotation:




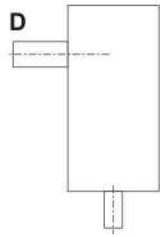
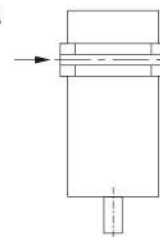

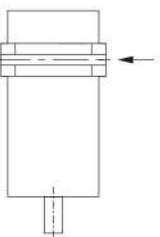
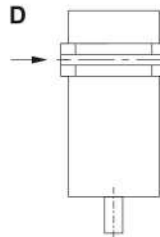
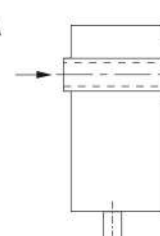
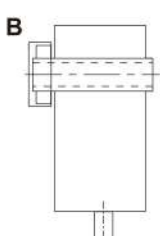
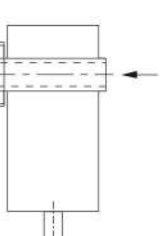
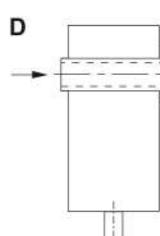
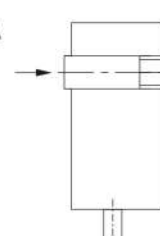
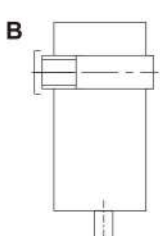
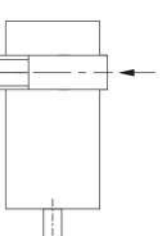
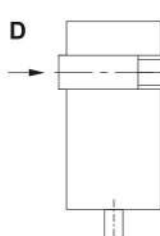
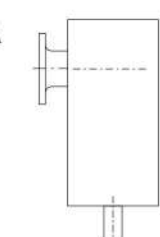

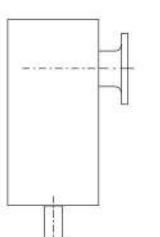
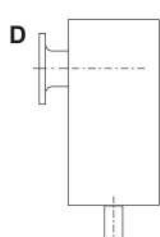
H1.H					
H2.H H2.M					
H2.V					
H3.H H3.M					
H3.V					
H4.H H4.M					
H4.V					

注: 1) 齿轮箱可双向旋转,图中“”为轴端油泵;  
2)\*\*只适合4-16型。

Note: 1) Direction of rotation of the gear unit is reversible. The symbol “” in the graphs stands for shaft end oil pump.  
2)\*\* Only suit for size 4-16.

8.2 B系列布置形式：  
轴布置：

8.2 B series designs:  
Designs of shafts:

<p>实心轴 Solid shaft</p> <p>B.SH B.SV</p>	<p><b>A</b></p> 	<p><b>B</b></p> 	<p><b>C</b></p> 	<p><b>D</b></p> 
<p>空心轴 Hollow shaft</p> <p>B.HH B.HV B.HM</p>	<p><b>A</b></p> 	<p><b>B</b></p> 	<p><b>C</b></p> 	<p><b>D</b></p> 
<p>带锁紧盘空心轴 Hollow shaft with shrink disk</p> <p>B.DH B.DV B.DM</p>	<p><b>A</b></p> 	<p><b>B</b></p> 	<p><b>C</b></p> 	<p><b>D</b></p> 
<p>带花键空心轴 Hollow shaft with involute spline</p> <p>B.KH B.KV B.KM</p>	<p><b>A</b></p> 	<p><b>B</b></p> 	<p><b>C</b></p> 	<p><b>D</b></p> 
<p>法兰轴 Flanged shaft</p> <p>B.FH B.FV B.FM</p>	<p><b>A</b></p> 	<p><b>B</b></p> 	<p><b>C</b></p> 	<p><b>D</b></p> 

HB

旋转方向关系:

Direction of rotation:

<p>B2.H</p>	
<p>B2.V</p>	
<p>B3.H</p>	
<p>B3.V</p>	
<p>B4.H</p>	
<p>B4.V *</p>	



注: 齿轮箱可双向旋转, 图中“☐”为轴端油泵, \*B4.V 在规格 > 12 仅配电动油泵, 不再配轴端油泵。

Note: Direction of rotation of the gear unit is reversible. The symbol “☐” in the graphs stands for shaft end pump. If B4.V specification is over 12, only supply electric oil pump, no more shaft end pump.

8.3 逆止器布置及轴旋转方向关系：

8.3 Relations between backstop design and direction of rotation:

H3S H3H H3D H3K H3F							
H4S H4H H4D H4K H4F	7-10						
	11-18						
B2S B2F		/		/		/	/
B2D			/		/	/	/
B2H B2K						/	/
B3S B3H B3D B3K B3F							
B4S B4H B4D B4K B4F	5-10						
	11-18						

注：齿轮箱可由逆止器确定正反转。

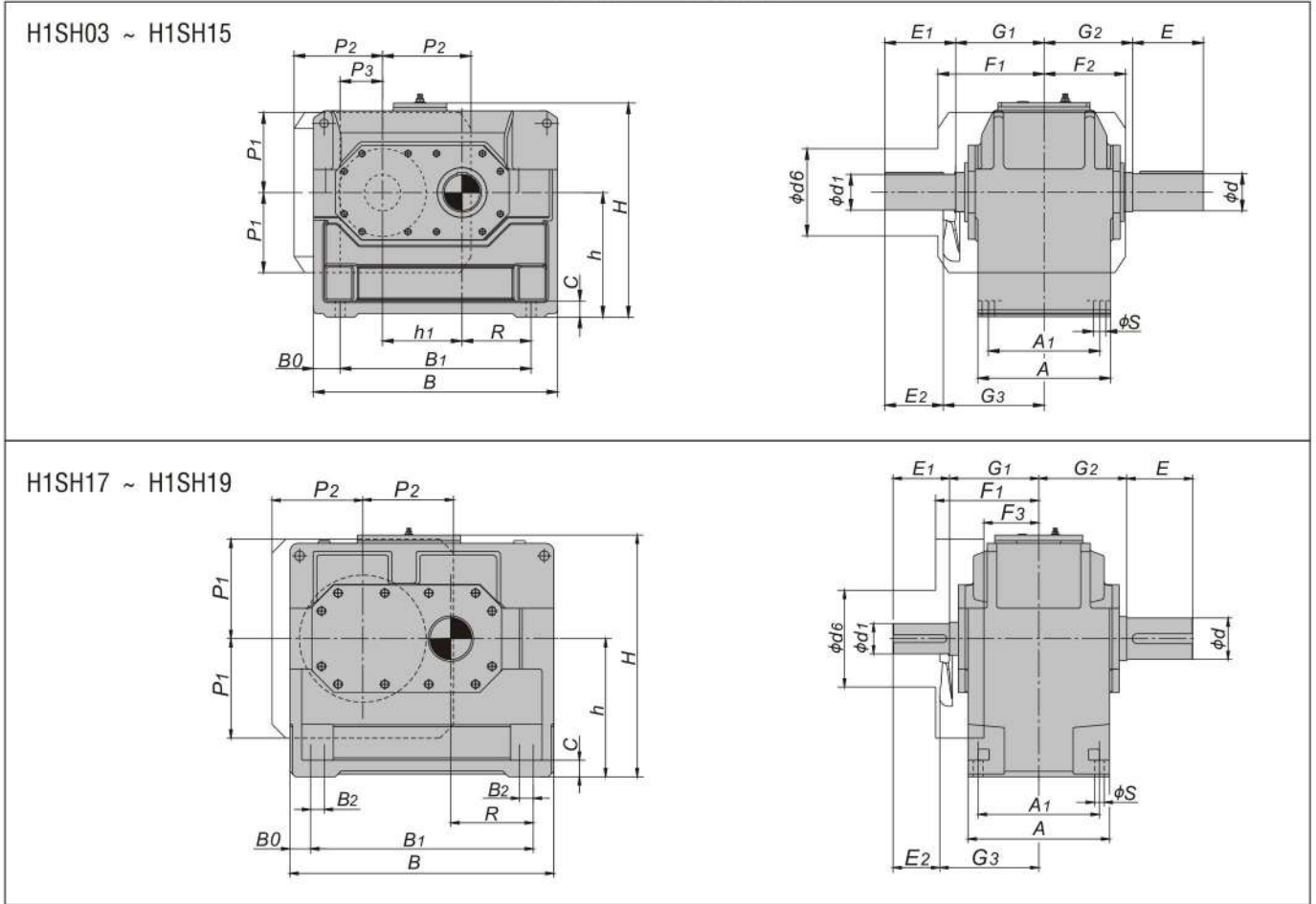
Note: The direction of rotation is controlled by the backstop.



9 外形尺寸:

9 Outline Dimensions:

H1SH3 ~ H1SH19 \*



规格 Size	i <sub>N</sub> = 1.25 - 2.8			i <sub>N</sub> = 1.6 - 2.8			i <sub>N</sub> = 2 - 2.8			i <sub>N</sub> = 3.15 - 4			i <sub>N</sub> = 4.5 - 5.6			齿轮箱/Gear Units			
	d <sub>1</sub>	E <sub>1</sub>	E <sub>2</sub>	d <sub>1</sub>	E <sub>1</sub>	E <sub>2</sub>	d <sub>1</sub>	E <sub>1</sub>	E <sub>2</sub>	d <sub>1</sub>	E <sub>1</sub>	E <sub>2</sub>	d <sub>1</sub>	E <sub>1</sub>	E <sub>2</sub>	A	A <sub>1</sub>	B	B <sub>0</sub>
3	60m6	125	105							45k6	100	80	32k6	80	60	200	160	420	55
5	85m6	160	130							60m6	135	105	50k6	110	80	285	240	580	70
7	100m6	200	165							75m6	140	105	60m6	140	105	375	315	690	75
9	110m6	200	165							90m6	165	130	75m6	140	105	425	350	805	90
11				130m6	240	205				110m6	205	170	90m6	170	135	515	440	960	95
13				150m6	245	200				130m6	245	200	100m6	210	165	580	490	1100	115
15							180m6	290	240	150m6	250	200	125m6	250	200	545	450	1295	135
17							200m6	330	280	170m6	290	240	140m6	250	200	615	530	1410	120
19							220m6	340	290	190m6	340	290	160m6	300	250	690	590	1590	150

规格 Size	齿轮箱/Gear Units																输出轴/Output Shaft			重量 weight (kg)	
	B <sub>1</sub>	B <sub>2</sub>	c	d <sub>6</sub>	F <sub>1</sub>	F <sub>2</sub>	F <sub>3</sub>	G <sub>1</sub>	G <sub>3</sub>	H	h	h <sub>1</sub>	P <sub>1</sub>	P <sub>2</sub>	P <sub>3</sub>	R	s	d	E		G <sub>2</sub>
3	310	-	28	130	225	130	-	190	210	375	200	130	150	145	80	110	19	60m6	125	170	128
5	440	-	35	190	270	185	-	225	255	525	290	185	225	215	115	160	24	85m6	160	210	302
7	540	-	45	245	315	230	-	265	300	625	350	225	255	250	120	195	28	105m6	200	250	547
9	625	-	50	280	330	265	-	280	315	735	420	265	300	265	140	225	35	125m6	210	270	862
11	770	-	60	350	375	320	-	325	360	875	500	320	360	330	190	280	35	150m6	240	320	1515
13	870	-	70	350	430	-	150	365	410	1020	580	370	415	350	-	315	42	180m6	310	360	2395
15	1025	-	80	450	430	-	120	360	410	1115	600	442	500	430	-	370	48	220m6	350	360	3200
17	1170	130	80	445	470	-	150	400	450	1235	670	490	550	430	-	425	42	240m6	400	400	4250
19	1290	150	90	445	510	-	190	440	490	1395	760	555	630	475	-	465	48	270m6	450	440	5800

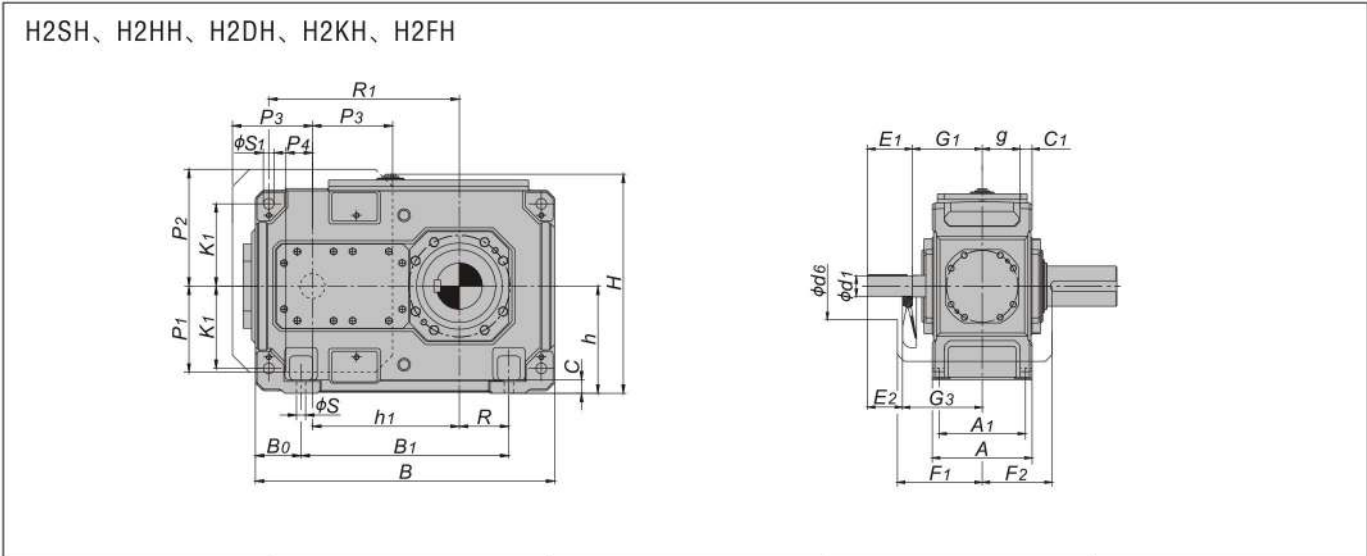
\*) H1系列仅供货实心轴A、B布置形式。

\*) H1 series only supply solid shaft with A,B design.





H2.H4 ~ H2.H12

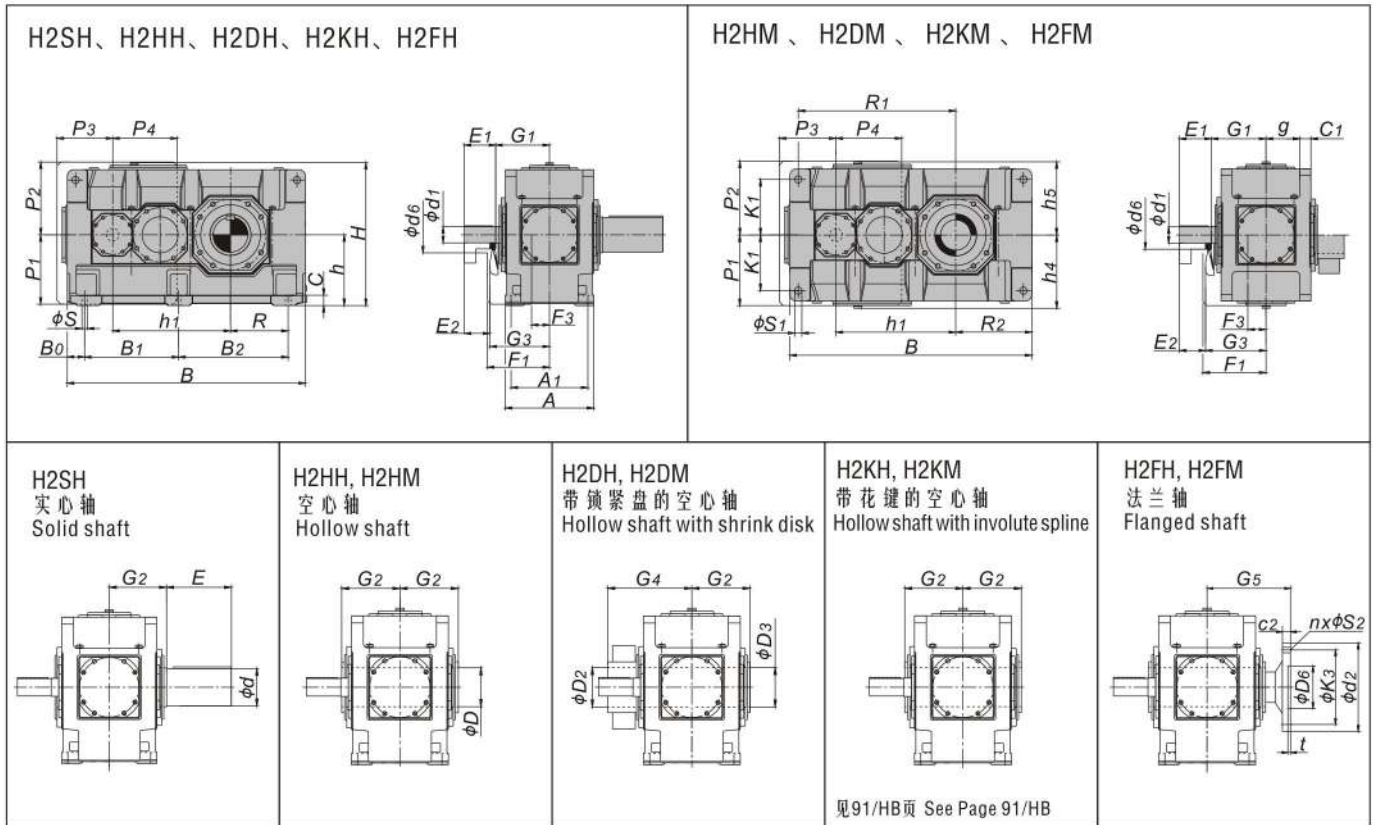


<p><b>H2SH</b> 实心轴 Solid shaft</p>	<p><b>H2HH</b> 空心轴 Hollow shaft</p>	<p><b>H2DH</b> 带锁紧盘的空心轴 Hollow shaft with shrink disk</p>	<p><b>H2KH</b> 带花键的空心轴 Hollow shaft with involute spline</p>	<p><b>H2FH</b> 法兰轴 Flanged shaft</p>
见91/HB页 See Page 91/HB				

规格 Size	in = 6.3 - 11.2												in = 8 - 14												in=12.5-22.4												in=16-28												齿轮箱/Gear Units											
	d1	E1	E2	d1	E1	E2	d1	E1	E2	d1	E1	E2	A	A1	B	B0	B1	c	c1	C2	F1	F2	G1	G2	G3	G4	G5	Q																																
4	45k6	100	80				32k6	80	60				215	180	565	105	355	28	30 ± 1	-	205	158	170	140	190	205	-	77.5																																
5	50k6	100	80				38k6	80	60				255	220	640	105	430	28	30 ± 1	25	230	177.5	195	165	215	240	255	97.5																																
6				50k6	100	80				38k6	80	60	255	220	720	105	510	28	30 ± 1	25	230	177.5	195	165	215	240	255	97.5																																
7	60m6	135	105				50k6	110	80				300	260	785	120	545	35	36 ± 1	30	255	210	210	195	240	280	300	114																																
8				60m6	135	105				50k6	110	80	300	260	890	120	650	35	36 ± 1	30	255	210	210	195	240	285	300	114																																
9	75m6	140	110				60m6	140	110				370	320	925	145	635	40	45 ± 1.5	38	285	245	240	235	270	330	350	140																																
10				75m6	140	110				60m6	140	110	370	320	1025	145	735	40	45 ± 1.5	38	285	245	240	235	270	350	350	140																																
11	90m6	165	130				70m6	140	105				430	370	1105	165	775	50	54 ± 1.5	42	325	285	275	270	310	400	400	161																																
12				90m6	165	130				70m6	140	105	430	370	1260	165	930	50	54 ± 1.5	42	325	285	275	270	310	405	400	161																																

规格 Size	齿轮箱/Gear Units															输出轴/Output Shaft										重量 weight (kg)
	H	h	h1	K1	K3	P1	P2	P3	P4	R	R1	S1	nxS2	s	t	D	D2	D3	D6	d	d2	d6	E			
4	415	200	270	150	-	195	225	150	30	85	345	24H9	-	19	-	80H7	85H7	85H7	-	80m6	-	136	170	190		
5	482	230	315	180	260	225	260	175	55	100	405	24H9	16x22	19	10	95H7	100H7	100H7	150H6	100m6	300	150	210	300		
6	482	230	350	180	280	225	260	175	55	145	440	24H9	18x22	19	10	105H7	110H7	110H7	160H6	110m6	320	150	210	355		
7	572	280	385	215	320	272	305	210	70	130	500	28H9	16x26	24	10	115H7	120H7	120H7	180H6	120m6	370	200	210	505		
8	582	280	430	215	340	272	305	210	70	190	545	28H9	18x26	24	10	125H7	130H7	130H7	190H6	130m6	390	200	250	590		
9	662	320	450	245	380	312	355	240	100	155	585	36H9	20x26	28	12	135H7	140H7	140H7	220H6	140m6	430	200	250	830		
10	662	320	500	245	420	312	355	240	100	205	635	36H9	22x26	28	12	150H7	150H7	150H7	240H6	160m6	470	200	300	960		
11	782	380	545	300	450	372	420	285	135	180	710	40H9	18x33	35	12	165H7	165H7	165H7	260H6	170m6	510	210	300	1335		
12	790	380	615	300	480	372	420	285	135	265	780	40H9	22x33	35	12	180H7	180H7	180H7	280H6	180m6	540	210	300	1615		

## H2.H13 ~ H2.H26



规格 Size	in=6.3-11.2			in=7.1-12.5			in=8-14			in=12.5-20			in=14-22.4			in=16-25			齿轮箱/Gear Units											
	d1	E1	E2	d1	E1	E2	d1	E1	E2	d1	E1	E2	d1	E1	E2	d1	E1	E2	A	A1	B	B0	B1	B2	c	c1	C2	F1	F3	G1
13	100m6	205	170							85m6	170	135						550	475	1290	100	545	545	60	61 ± 2	48	385	135	330	
14										100m6	205	170						550	475	1430	100	545	685	60	61 ± 2	48	385	135	330	
15	120m6	210	165									100m6	210	165				625	535	1550	120	655	655	70	72 ± 2	55	430	155	365	
16				120m6	210	165							100m6	210	165			625	535	1640	120	655	745	70	72 ± 2	55	430	155	365	
17	125m6	245	200									110m6	210	165				690	600	1740	135	735	735	80	81 ± 2	60	485	140	420	
18				125m6	245	200								110m6	210	165			690	600	1860	135	735	855	80	81 ± 2	60	485	140	420
19	150m6	245	200									120m6	210	165				790	690	2010	155	850	850	90	91 ± 2	65	540	190	475	
20				150m6	245	200								120m6	210	165			790	690	2130	155	850	970	90	91 ± 2	65	540	190	475
21	170m6	290	240									140m6	250	200				830	720	2140	170	900	900	100	100 ± 2	75	565	200	495	
22				170m6	290	240								140m6	250	200			830	720	2250	170	900	1010	100	100 ± 2	75	565	200	495
23	190m6	330	280									150m6	250	200				930	810	2380	180	1010	1010	115	120 ± 2	-	630	220	560	
24				190m6	330	280								150m6	250	200			930	810	2510	180	1010	1140	115	120 ± 2	-	630	220	560
25	200m6	340	290									170m6	300	250				1045	910	2580	200	1090	1090	130	120 ± 2	-	670	240	600	
26				200m6	340	290								170m6	300	250			1045	910	2760	200	1090	1270	130	120 ± 2	-	670	240	600

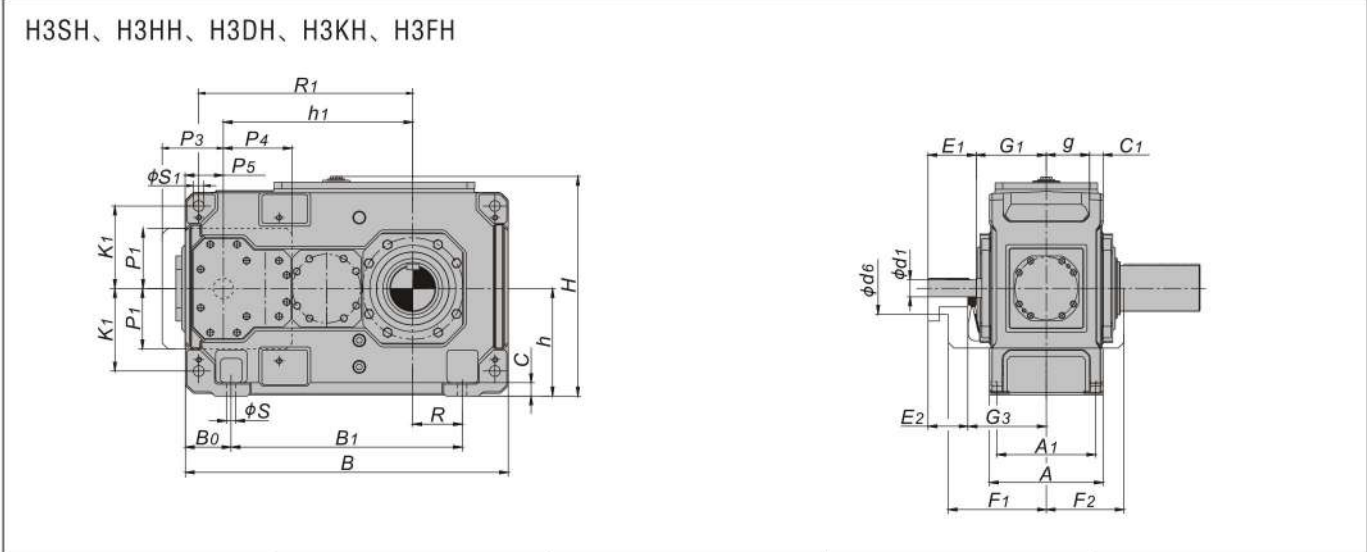
规格 Size	齿轮箱/Gear Units																				输出轴/Output Shaft											重量 weight(kg)		
	G2	G3	G4	G5	Q	H	h	h1	h4	h5	K1	K3	P1	P2	P3	P4	R	R1	R2	S	S1	nXS2	t	D	D2	D3	D6	d	d2	d6	E	H2.H	H2.M	
13	335	365	480	480	211.5	900	440	635	450	460	340	500	430	460	330	365	305	835	405	35	48H9	20X33	14	190H7	190H7	190H7	310H6	200m6	580	250	350	200	1880	
14	335	365	480	480	211.5	900	440	705	450	460	340	540	430	460	330	365	375	905	475	35	48H9	24X33	14	210H7	210H7	210H7	310H6	210m6	620	250	350	2570	2430	
15	380	410	550	550	238	1000	500	762	490	500	375	630	490	500	370	440	365	1005	485	42	55H9	28X33	17	230H7	230H7	230H7	360H6	230m6	710	280	410	3430	3240	
16	380	410	550	550	238	1000	500	808	490	500	375	660	490	500	370	440	410	1050	530	42	55H9	30X33	17	240H7	240H7	240H7	360H6	240m6	740	280	410	3655	3465	
17	415	465	600	600	259	1110	550	860	555	560	425	660	540	565	435	505	390	1145	525	42	55H9	24X39	18	250H7	250H7	250H7	410H6	250m6	750	280	410	4650	4420	
18	415	465	600	600	259	1110	550	920	555	560	425	710	540	565	435	505	450	1205	585	42	55H9	26X39	18	275H7	280H7	280H7	410H6	270n6	800	280	470	5125	4870	
19	465	520	*	670	299	1240	620	997	615	620	475	770	600	600	500	450	435	1345	590	48	65H9	30X39	18	-	*	*	460H6	290n6	860	310	470	6600	6300	
20	465	520	*	670	299	1240	620	1057	615	620	475	830	600	600	500	450	495	1405	650	48	65H9	32X39	18	-	*	*	460H6	300n6	930	310	500	7500	7200	
21	490	545	*	710	310	1390	700	1067	685	690	520	850	680	680	500	610	485	1400	655	56	75H9	28X45	20	-	*	*	520H6	320n6	950	450	500	8900	8400	
22	490	545	*	710	310	1390	700	1122	685	690	520	940	680	680	500	610	540	1455	710	56	75H9	28X45	20	-	*	*	520H6	340n6	1040	450	550	9600	9200	
23	540	610	*	-	342	1550	780	1185	770	770	580	-	770	770	550	550	550	1560	730	56	80H9	-	-	-	-	*	*	-	360n6	-	450	590	11600	11000
24	540	610	*	-	342	1550	780	1250	770	770	580	-	770	770	550	550	615	1625	795	56	80H9	-	-	-	-	*	*	-	380n6	-	450	590	13000	12300
25	605	650	*	-	400	1720	860	1325	860	860	660	-	845	860	550	550	590	1685	790	66	90H9	-	-	-	-	*	*	-	400n6	-	450	650	15500	14700
26	605	650	*	-	400	1720	860	1415	860	860	660	-	845	860	550	550	680	1775	880	66	90H9	-	-	-	-	*	*	-	420n6	-	450	650	17200	16200

注：“\*” 敬请垂询。

Note: “\*” on request.



H3.H5 ~ H3.H12



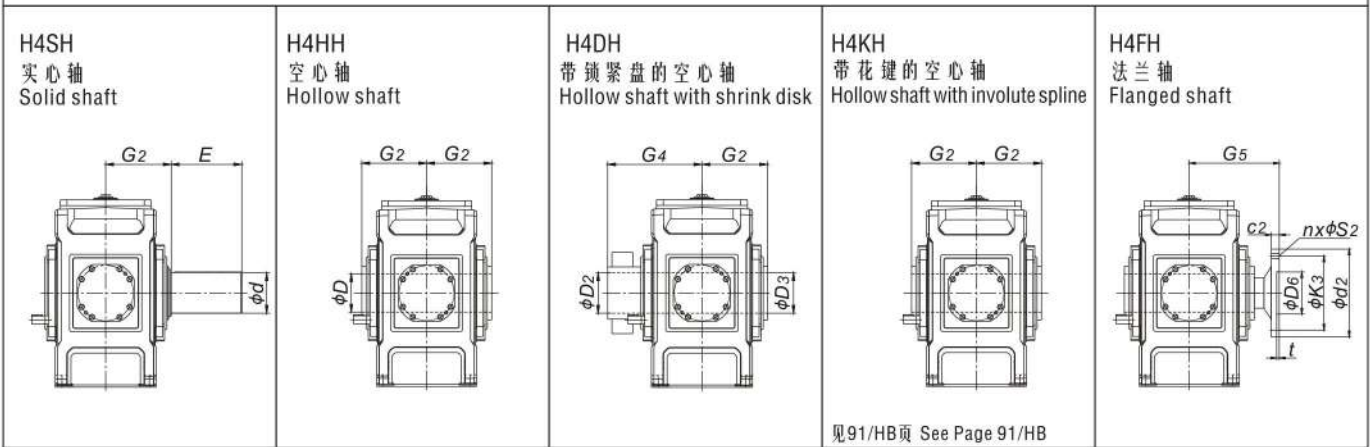
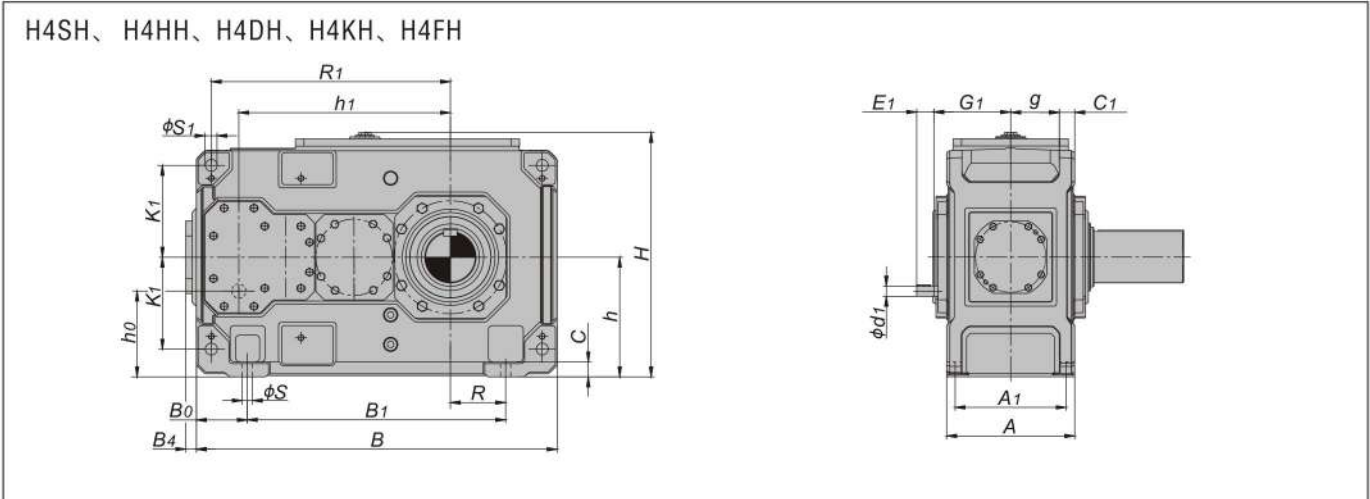
<p><b>H3SH</b> 实心轴 Solid shaft</p>	<p><b>H3HH</b> 空心轴 Hollow shaft</p>	<p><b>H3DH</b> 带锁紧盘的空心轴 Hollow shaft with shrink disk</p>	<p><b>H3KH</b> 带花键的空心轴 Hollow shaft with involutespline</p> <p>见91/HB页 See Page 91/HB</p>	<p><b>H3FH</b> 法兰轴 Flanged shaft</p>
--	---	---	---	--

规格 Size	in = 25 - 45						in=31.5-56			in=50-63			in=63-80			in=71-90			in=90-112			齿轮箱/Gear Units									
	d1	E1	E2	d1	E1	E2	d1	E1	E2	d1	E1	E2	d1	E1	E2	d1	E1	E2	d1	E1	E2	A	A1	B	B0	B1	c	c1	C2	F1	F2
5	40k6	90	70				30k6	70	50				24k6	60	40					255	220	690	105	480	28	30 ± 1	25	200	175	170	
6				40k6	90	70				30k6	70	50				24k6	60	40		255	220	770	105	560	28	30 ± 1	25	200	175	170	
7	45k6	100	80				35k6	80	60				28k6	70	50					300	260	845	120	605	35	36 ± 1	30	240	205	210	
8				45k6	100	80				35k6	80	60				28k6	70	50		300	260	950	120	710	35	36 ± 1	30	240	205	210	
9	60m6	125	105				45k6	100	80				32k6	80	60					370	320	1000	145	710	40	45 ± 1.5	38	285	240	250	
10				60m6	125	105				45k6	100	80				32k6	80	60		370	320	1100	145	810	40	45 ± 1.5	38	285	240	250	
11	70m6	140	110				50k6	110	80				42k6	100	70					430	370	1200	165	870	50	54 ± 1.5	42	325	280	285	
12				70m6	140	110				50k6	110	80				42k6	100	70		430	370	1355	165	1025	50	54 ± 1.5	42	325	280	285	

规格 Size	齿轮箱/Gear Units																		输出轴/Output Shaft										重量 weight (kg)
	G2	G3	G4	G5	g	H	h	h1	K1	K3	P1	P3	P4	P5	R	R1	s	S1	nXS2	t	D	D2	D3	D6	d	d2	d6	E	
5	165	190	240	255	97.5	482	230	405	180	260	137	135	140	80	100	455	19	24	16X22	10	95H7	100H7	100H7	150H6	100m6	300	150	210	320
6	165	190	240	255	97.5	482	230	440	180	280	137	135	140	80	145	490	19	24	18X22	10	105H7	110H7	110H7	160H6	110m6	320	150	210	365
7	195	230	280	300	114	572	280	495	215	320	157	160	180	100	130	560	24	28	16X26	10	115H7	120H7	120H7	180H6	120m6	370	170	210	540
8	195	230	285	300	114	582	280	540	215	340	157	160	180	100	190	605	24	28	18X26	10	125H7	130H7	130H7	190H6	130m6	390	170	250	625
9	235	270	330	350	140	662	320	580	245	380	182	190	205	120	155	660	28	36	20X26	12	135H7	140H7	140H7	220H6	140m6	430	170	250	875
10	235	270	350	350	140	662	320	630	245	420	182	190	205	120	205	710	28	36	22X26	12	150H7	150H7	150H7	240H6	160m6	470	170	300	1020
11	270	315	400	400	161	782	380	705	300	450	218	220	255	150	180	805	35	40	18X33	12	165H7	165H7	165H7	260H6	170m6	510	190	300	1400
12	270	315	405	400	161	790	380	775	300	480	218	220	255	150	265	875	35	40	22X33	12	180H7	180H7	180H7	280H6	180m6	540	190	300	1675



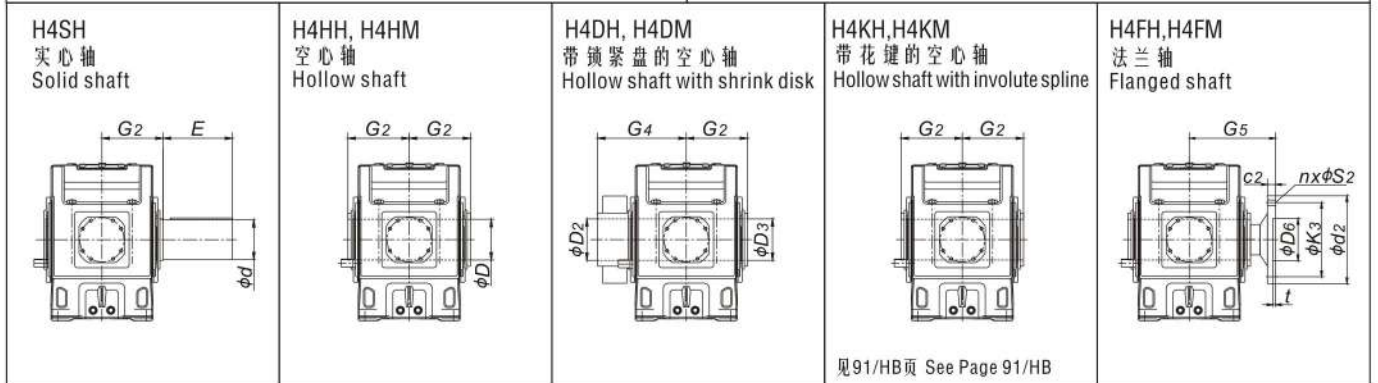
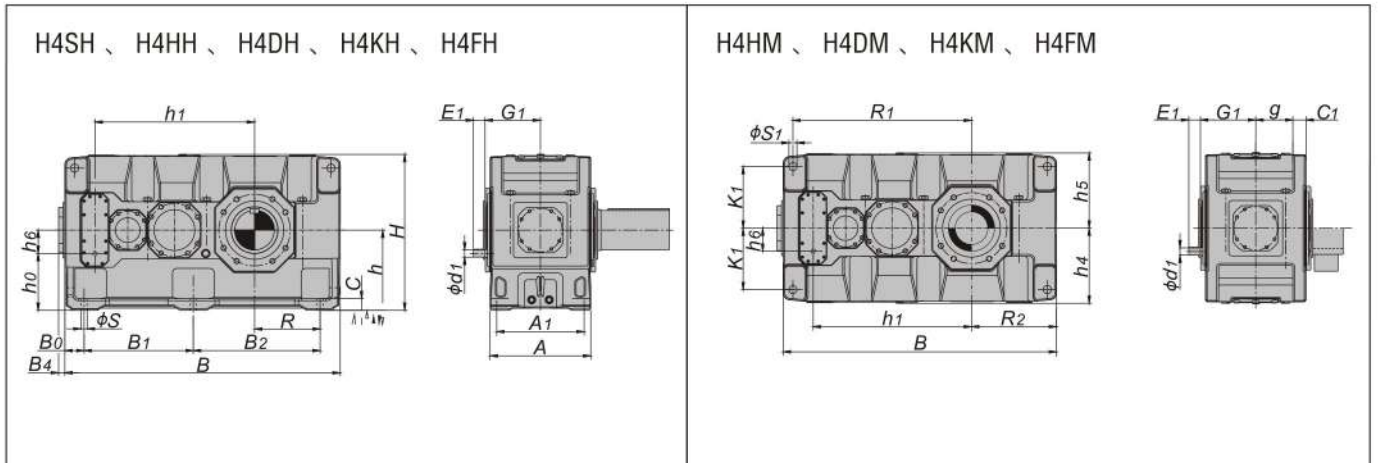
H4.H7 ~ H4.H12



规格 Size	iN = 100 - 180				iN = 125 - 224				iN = 200 - 355				iN = 250 - 450				齿轮箱/Gear Units									
	d1	E1	d1	E1	d1	E1	d1	E1	d1	E1	d1	E1	A	A1	B	B0	B1	B4	c	c1	C2	G1	G2	G4	G5	
7	30k6	50			24k6	40							300	260	845	120	605	37	35	36 ± 1	30	180	195	280	300	
8			30k6	50			24k6	40					300	260	950	120	710	37	35	36 ± 1	30	180	195	285	300	
9	35k6	60			28k6	50							370	320	1000	145	710	43	40	45 ± 1.5	38	215	235	330	350	
10			35k6	60			28k6	50					370	320	1100	145	810	43	40	45 ± 1.5	38	215	235	350	350	
11	45k6	100			32k6	80							430	370	1200	165	870	47	50	54 ± 1.5	42	250	270	400	400	
12			45k6	100			32k6	80					430	370	1355	165	1025	47	50	54 ± 1.5	42	250	270	405	400	

规格 Size	齿轮箱/Gear Units														输出轴/Output Shaft							重量 weight (kg)
	g	H	h	h0	h1	K1	K3	R	R1	s	S1	nXS2	t	D	D2	D3	D6	d	d2	E		
7	114	572	280	200	495	215	320	130	560	24	28H9	16X26	10	115H7	120H7	120H7	180H6	120m6	370	210	550	
8	114	582	280	200	540	215	340	190	605	24	28H9	18X26	10	125H7	130H7	130H7	190H6	130m6	390	250	645	
9	140	662	320	230	580	245	380	155	660	28	36H9	20X26	12	135H7	140H7	140H7	220H6	140m6	430	250	875	
10	140	662	320	230	630	245	420	205	710	28	36H9	22X26	12	150H7	150H7	150H7	240H6	160m6	470	300	1010	
11	161	782	380	270	705	300	450	180	805	35	40H9	18X33	12	165H7	165H7	165H7	260H6	170m6	510	300	1460	
12	161	790	380	270	775	300	480	265	875	35	40H9	22X33	12	180H7	180H7	180H7	280H6	180m6	540	300	1725	

H4.H13 ~ H4.H26



见91/HB页 See Page 91/HB

规格 Size	in=100-180												in=112-200												in=125-224												in=200-355												in=224-400												in=250-450												齿轮箱/Gear Units											
	d1	E1	d1	E1	d1	E1	d1	E1	d1	E1	d1	E1	d1	E1	d1	E1	d1	E1	d1	E1	d1	E1	A	A1	B	B0	B1	B2	B4	c	c1	C2	G1	G2	G4	G5																																																
13	50k6	100						38k6	80							550	475	1395	100	597.5	597.5	47	60	61 ± 2	48	305	335	480	480																																																							
14					50k6	100								38k6	80	550	475	1535	100	597.5	737.5	47	60	61 ± 2	48	305	335	480	480																																																							
15	60m6	135						50k6	110							625	535	1680	120	720	720	56	70	72 ± 2	55	345	380	550	550																																																							
16			60m6	135						50k6	110					625	535	1770	120	720	810	56	70	72 ± 2	55	345	380	550	550																																																							
17	60m6	135						50k6	110							690	600	1770	135	750	750	53	80	81 ± 2	60	380	415	600	600																																																							
18			60m6	135						50k6	110					690	600	1890	135	750	870	53	80	81 ± 2	60	380	415	600	600																																																							
19	75m6	140						60m6	140							790	690	2030	155	860	860	53	90	91 ± 2	65	440	465	*	670																																																							
20			75m6	140						60m6	140					790	690	2150	155	860	980	53	90	91 ± 2	65	440	465	*	670																																																							
21	90m6	165						70m6	140							830	720	2340	170	1000	1000	62	100	100 ± 2	75	460	490	*	710																																																							
22			90m6	165						70m6	140					830	720	2450	170	1000	1110	62	100	100 ± 2	75	460	490	*	710																																																							
23	90m6	165						70m6	140							930	810	2530	180	1085	1085	35	115	120 ± 2	-	505	540	*	-																																																							
24			90m6	165						70m6	140					930	810	2660	180	1085	1215	35	115	120 ± 2	-	505	540	*	-																																																							
25	100m6	205						85m6	170							1045	910	2830	200	1215	1215	65	130	120 ± 2	-	565	605	*	-																																																							
26			100m6	205						85m6	170					1045	910	3010	200	1215	1395	65	130	120 ± 2	-	565	605	*	-																																																							

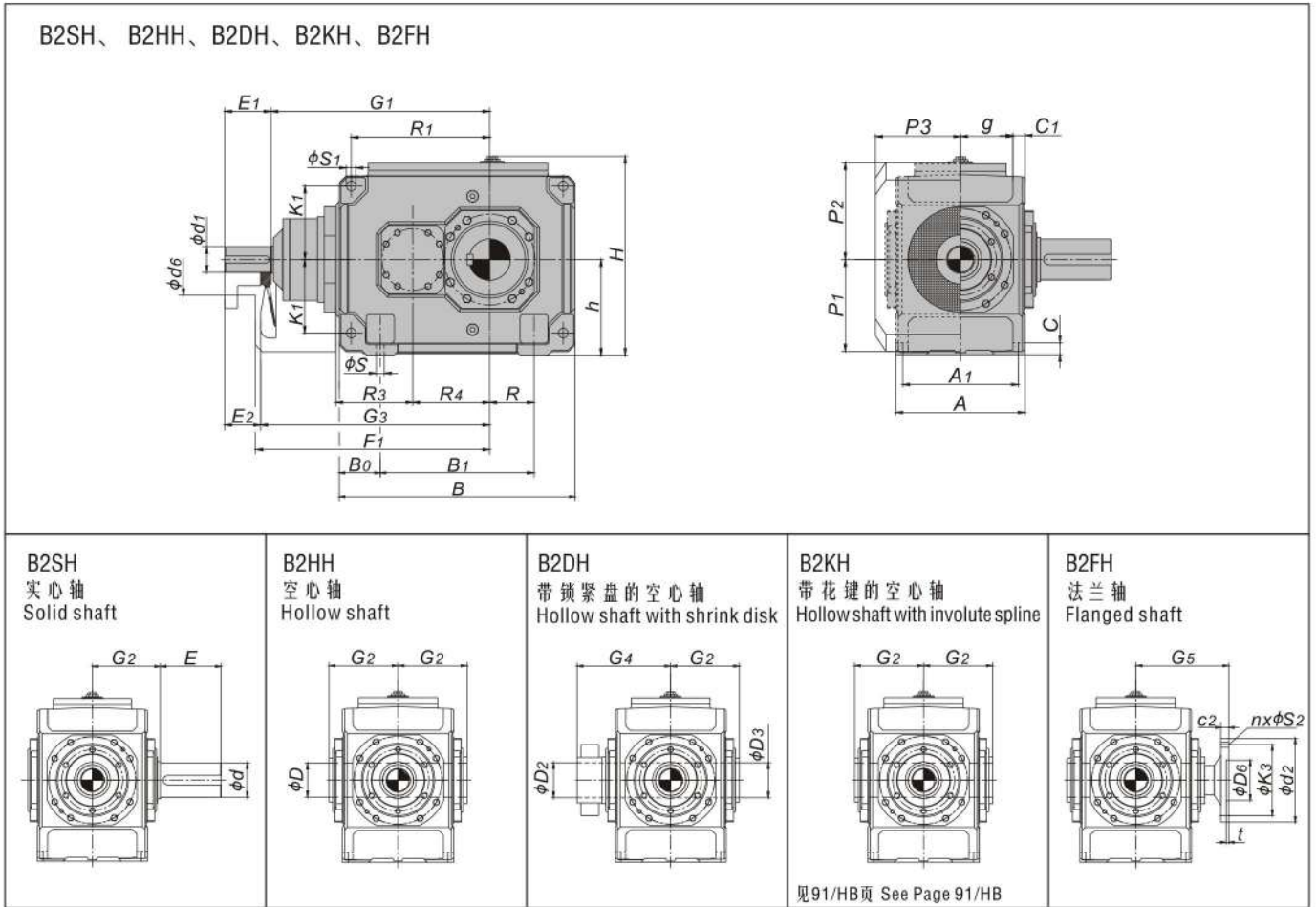


规格 Size	齿轮箱/Gear Units																		输出轴/Output Shaft										重量 weight (kg)	
	g	H	h	h0	h1	h4	h5	h6	K1	K3	R	R1	R2	S	S1	nXS2	t	D	D2	D3	D6	d	d2	E	H4.H	H4.M				
13	211.5	900	440	310	820	450	460	130	340	500	305	940	405	35	48H9	20X33	14	190H7	190H7	190H7	310H6	200m6	580	350	2390	2270				
14	211.5	900	440	310	890	450	460	130	340	540	375	1010	475	35	48H9	24X33	14	210H7	210H7	210H7	310H6	210m6	620	350	2730	2600				
15	238	1000	500	340	987	490	500	160	375	630	365	1135	485	42	55H9	28X33	17	230H7	230H7	230H7	360H6	230m6	710	410	3635	3440				
16	238	1000	500	340	1033	490	500	160	375	660	410	1180	530	42	55H9	30X33	17	240H7	240H7	240H7	360H6	240m6	740	410	3965	3740				
17	259	1110	550	390	1035	555	560	160	425	660	390	1175	525	42	55H9	24X39	18	250H7	250H7	250H7	410H6	250m6	750	410	4680	4445				
18	259	1110	550	390	1095	555	560	160	425	710	450	1235	585	42	55H9	26X39	18	275H7	280H7	280H7	410H6	270n6	800	470	5185	4915				
19	299	1240	620	435	1190	615	620	185	475	770	435	1365	590	48	65H9	30X39	18	-	*	*	460H6	290n6	860	470	6800	6300				
20	299	1240	620	435	1250	615	620	185	475	830	495	1425	650	48	65H9	32X39	18	-	*	*	460H6	300n6	930	500	8200	7700				
21	310	1390	700	475	1387	685	690	225	520	850	485	1600	655	56	75H9	28X45	20	-	*	*	520H6	320n6	950	500	9200	8600				
22	310	1390	700	475	1442	685	690	225	520	940	540	1655	710	56	75H9	28X45	20	-	*	*	520H6	340n6	1040	550	9900	9400				
23	342	1570	780	555	1505	770	790	225	580	-	550	1725	730	56	80H9	-	-	-	*	*	-	360n6	-	590	11600	10700				
24	342	1570	780	555	1570	770	790	225	580	-	615	1790	795	56	80H9	-	-	-	*	*	-	380n6	-	590	13500	12600				
25	400	1720	860	595	1695	860	860	265	660	-	590	1965	790	66	90H9	-	-	-	*	*	-	400n6	-	650	16100	15200				
26	400	1720	860	595	1785	860	860	265	660	-	680	2055	880	66	90H9	-	-	-	*	*	-	420n6	-	650	17600	16500				

注：“\*” 敬请垂询。

Note: “\*” on request.

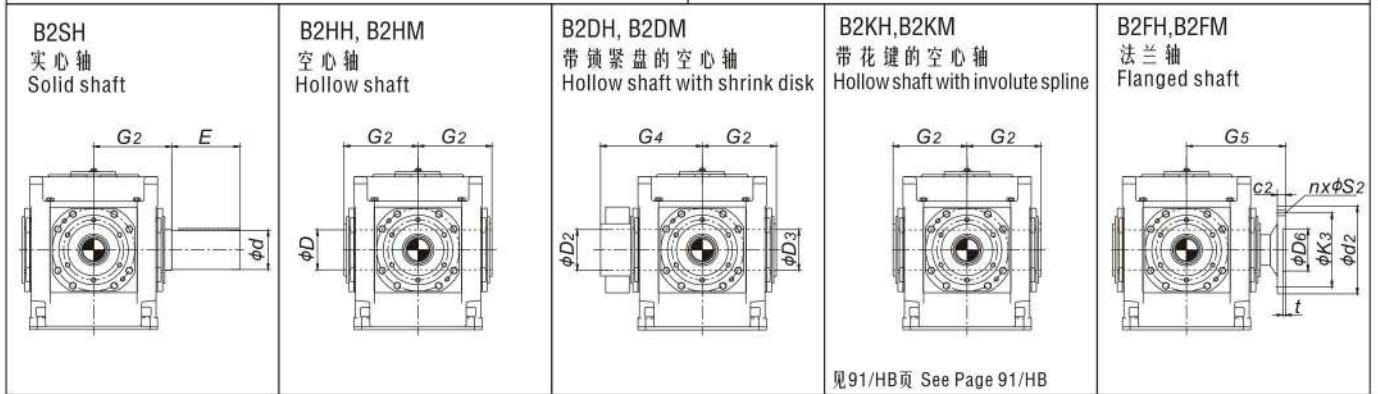
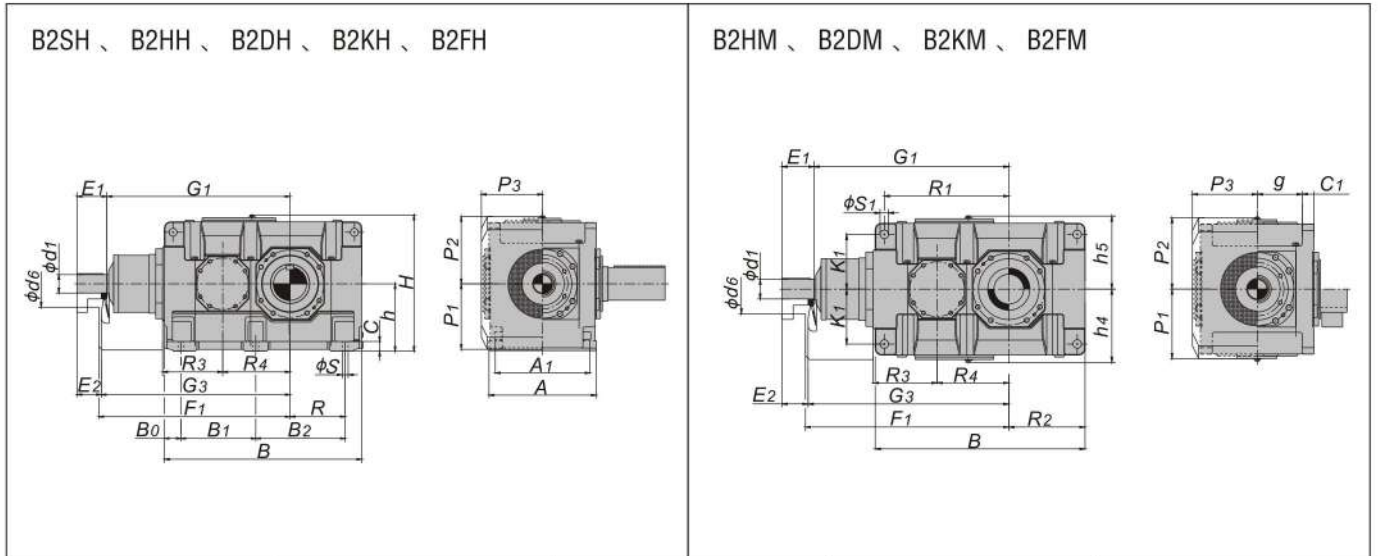
B2.H4 ~ B2.H12



规格 Size	iN = 5 - 11.2		iN = 6.3 - 14			齿轮箱/Gear Units																	
	d1	E1	E2	d1	E1	E2	A	A1	B	B0	B1	c	c1	C2	F1	G1	G2	G3	G4	G5	g	H	h
4	50k6	100	80				270	235	505	105	295	28	30 ± 1	-	495	465	170	485	235	-	105	415	200
5	60m6	110	80				320	285	565	105	355	28	30 ± 1	25	575	535	200	565	275	290H6	130	482	230
6				60m6	110	80	320	285	645	105	435	28	30 ± 1	25	610	570	200	600	275	290H6	130	482	230
7	75m6	135	105				380	340	690	120	450	35	36 ± 1	30	685	640	235	670	320	340H6	154	582	280
8				75m6	135	105	380	340	795	120	555	35	36 ± 1	30	730	685	235	715	325	340H6	154	582	280
9	85m6	165	130				440	390	820	145	530	40	48 ± 1.5	38	805	755	270	790	365	385H6	172	662	320
10				85m6	165	130	440	390	920	145	630	40	48 ± 1.5	38	855	805	270	840	385	385H6	172	662	320
11	95m6	165	130				530	470	975	165	645	50	54 ± 1.5	42	980	925	320	960	450	450H6	211	790	380
12				95m6	165	130	530	470	1130	165	800	50	54 ± 1.5	42	1050	995	320	1030	455	450H6	211	790	380

规格 Size	齿轮箱/Gear Units													输出轴/Output Shaft								重量 weight (kg)
	K1	K3	P1	P2	P3	R	R1	R3	R4	s	S1	nXS2	t	D	D2	D3	D6	d	d2	d6	E	
4	150	-	195	200	188	85	285	160	160	19	24H9	-	-	80H7	85H7	85H7	-	80m6	-	150	170	235
5	180	260	220	235	215	100	330	185	185	19	24H9	16X22	10	95H7	100H7	100H7	150	100m6	300	160	210	360
6	180	280	220	235	215	145	365	185	220	19	24H9	18X22	10	105H7	110H7	110H7	160	110m6	320	160	210	410
7	215	320	270	285	250	130	405	225	225	24	28H9	16X26	10	115H7	120H7	120H7	180	120m6	370	210	210	615
8	215	340	270	285	250	190	450	225	270	24	28H9	18X26	10	125H7	130H7	130H7	190	130m6	390	210	250	700
9	245	380	310	325	270	155	480	265	265	28	36H9	20X26	12	135H7	140H7	140H7	220	140m6	430	195	250	1000
10	245	420	310	325	270	205	530	265	315	28	36H9	22X26	12	150H7	150H7	150H7	240	160m6	470	195	300	1155
11	300	450	370	385	328	180	580	320	320	35	40H9	18X33	12	165H7	165H7	165H7	260	170m6	510	210	300	1640
12	300	480	370	385	328	265	650	320	390	35	40H9	22X33	12	180H7	180H7	180H7	280	180m6	540	210	300	1910

B2.H13 ~ B2.H18



见91/HB页 See Page 91/HB

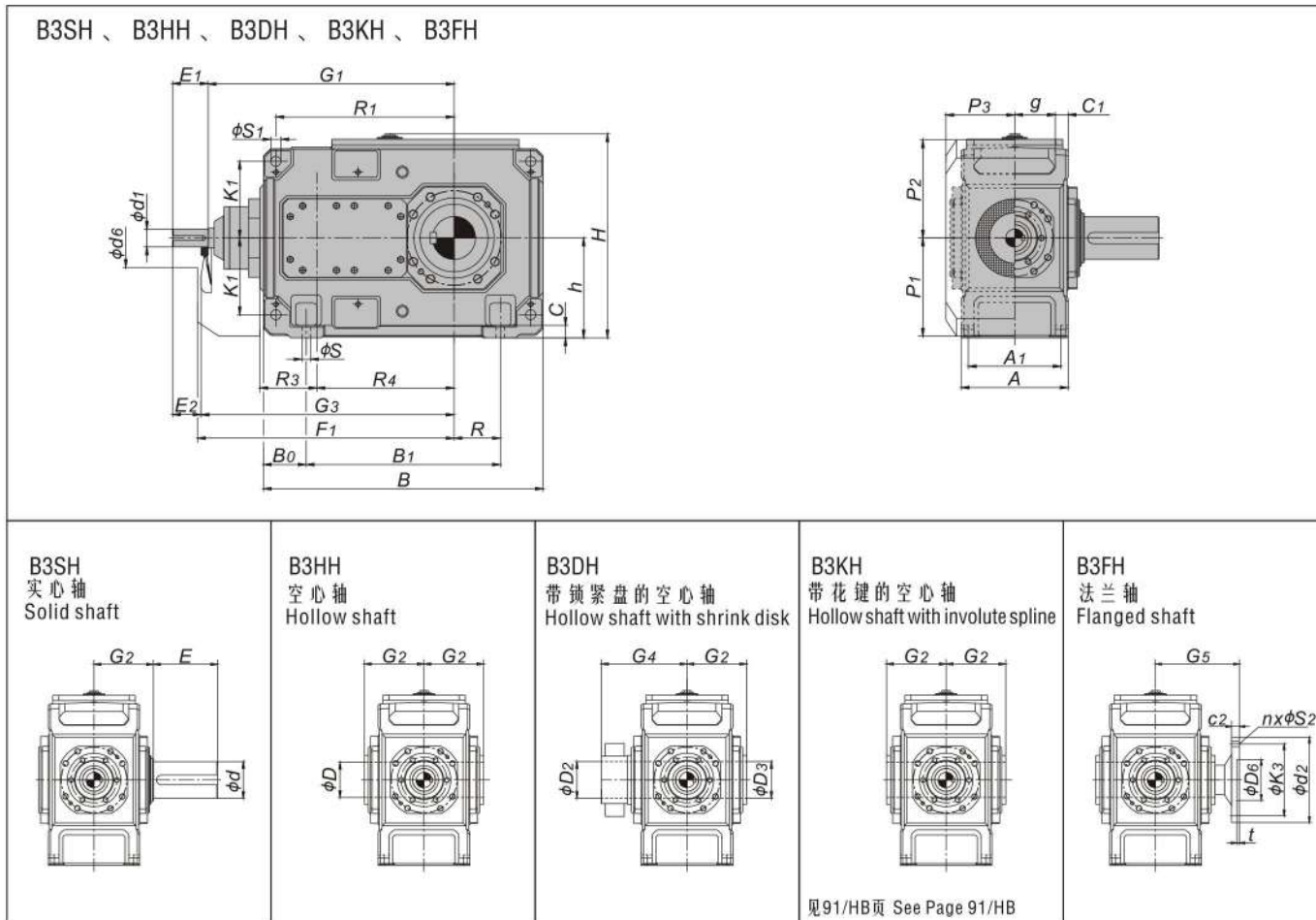
规格 Size	iN=5-11.2		iN=5.6-11.2			iN=5.6-12.5			iN=6.3-14			iN=7.1-12.5			齿轮箱/Gear Units												
	d1	E1	E2	d1	E1	E2	d1	E1	E2	d1	E1	E2	d1	E1	E2	A	A1	B	B0	B1	B2	c	c1	C2	F1	G1	G2
13	115m6	205	165												655	580	1130	100	465	465	60	61 ± 2	48	1130	1070	390	1110
14										115m6	205	165			655	580	1270	100	465	605	60	61 ± 2	48	1200	1140	390	1180
15	140m6	245	200												765	670	1350	120	555	555	70	72 ± 2	55	1340	1277	460	1322
16							140m6	245	200						765	670	1440	120	555	645	70	72 ± 2	55	1385	1323	460	1368
17				150m6	245	200									885	780	1490	135	610	610	80	81 ± 2	60	1500	1435	540	1480
18												150m6	245	200	885	780	1610	135	610	730	80	81 ± 2	60	1560	1495	540	1540



规格 Size	齿轮箱/Gear Units																输出轴/Output Shaft										重量 weight (kg)				
	G4	G5	g	H	h	h4	h5	K1	K3	P1	P2	P3	R	R1	R2	R3	R4	s	nXS2	S1	t	D	D2	D3	D6	d	d2	d6	E	B2.H	B2.M
13	-	525	264	900	440	450	460	340	500	430	450	375	305	675	405	380	370	35	20X33	48H9	14	-	-	-	310H6	200m6	580	245	350	2450	2350
14	535	525	264	900	440	450	460	340	540	430	450	375	375	745	475	380	440	35	24X33	48H9	14	210H7	210H7	210H7	310H6	210m6	620	245	350	2825	2725
15	-	625	308	1000	500	490	500	375	630	490	495	435	365	805	485	450	442	42	28X33	55H9	17	-	-	-	360H6	230m6	710	280	410	3990	3795
16	620	625	308	1000	500	490	500	375	660	490	495	435	410	850	530	450	488	42	30X33	55H9	17	240H7	240H7	240H7	360H6	240m6	740	280	410	4345	4160
17	-	695	356	1110	550	555	560	420	660	540	555	505	390	895	525	510	490	48	24X39	65H9	18	-	-	-	410H6	250m6	750	380	410	5620	5320
18	700	695	356	1110	550	555	560	420	710	540	555	505	450	955	585	510	550	48	26X39	65H9	18	275H7	280H7	280H7	410H6	270m6	800	380	470	6150	5860



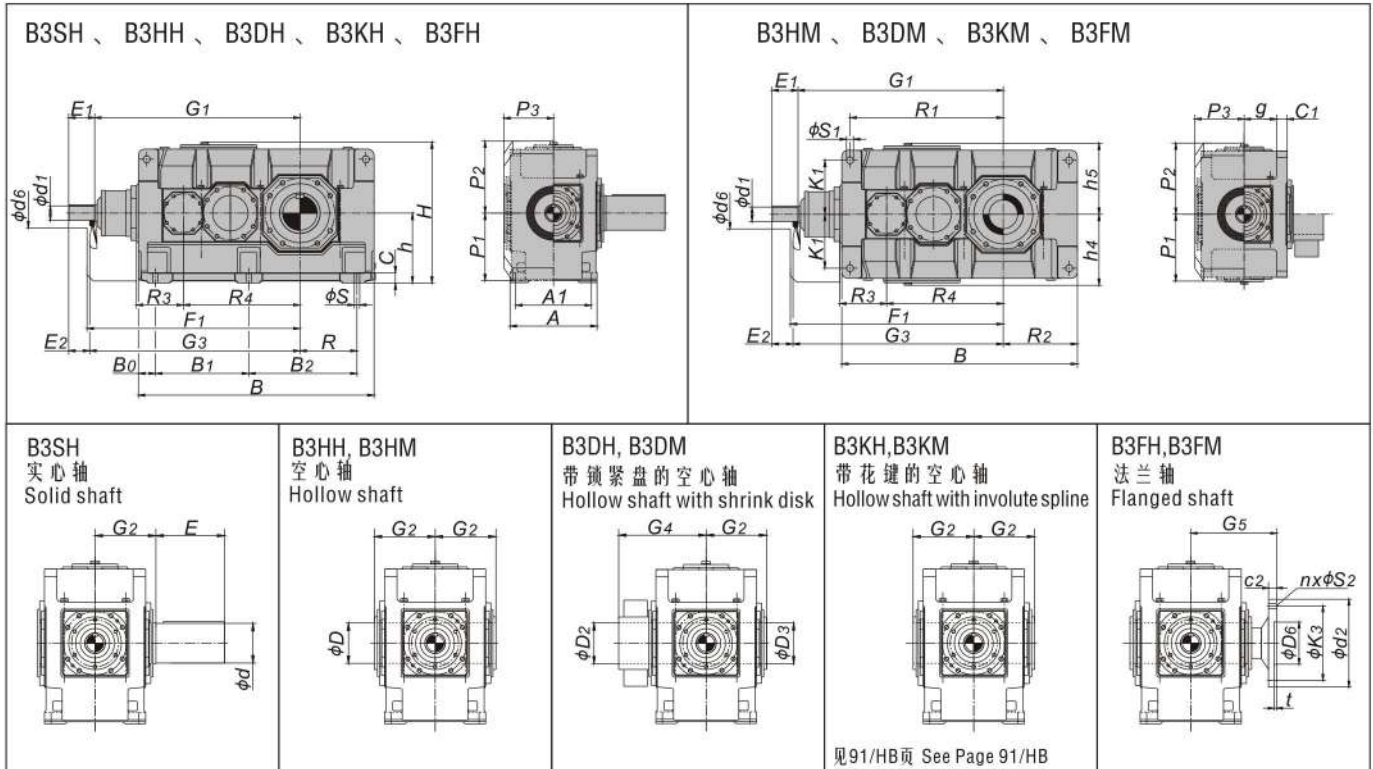
B3.H4 ~ B3.H12



规格 Size	in = 12.5 - 45				in = 16 - 56			in = 50 - 71			in = 63 - 90			齿轮箱/Gear Units													
	d1	E1	E2		d1	E1	E2	d1	E1	E2	d1	E1	E2	A	A1	B	B0	B1	c	c1	C2	F1	G1	G2	G3	G4	G5
4	35k6	70	50					30k6	60	40				215	180	565	105	355	28	30 ± 1	-	530	500	140	520	205	-
5	45k6	80	60					35k6	60	40				255	220	640	105	430	28	30 ± 1	25	605	575	165	595	240	255
6				45k6	80	60					35k6	60	40	255	220	720	105	510	28	30 ± 1	25	640	610	165	630	240	255
7	50k6	100	80					40k6	80	60				300	260	785	120	545	35	36 ± 1	30	720	690	195	710	280	300
8				50k6	100	80					40k6	80	60	300	260	890	120	650	35	36 ± 1	30	765	735	195	755	285	300
9	60m6	110	80					50k6	100	70				370	320	925	145	635	40	45 ± 1.5	38	845	800	235	830	330	350
10				60m6	110	80					50k6	100	70	370	320	1025	145	735	40	45 ± 1.5	38	895	850	235	880	350	350
11	75m6	135	105					60m6	110	80				430	370	1105	165	775	50	54 ± 1.5	42	1010	960	270	990	400	400
12				75m6	135	105					60m6	110	80	430	370	1260	165	930	50	54 ± 1.5	42	1080	1030	270	1060	405	400

规格 Size	齿轮箱/Gear Units															输出轴/Output Shaft										重量 weight (kg)
	q	H	h	K1	K3	P1	P2	P3	R	R1	R3	R4	s	S1	t	nXS2	D	D2	D3	D6	d	d2	d6	E		
4	77.5	415	200	150	-	195	200	143	85	345	110	270	19	24H9	-	-	80H7	85H7	85H7	-	80m6	-	110	170	210	
5	97.5	482	230	180	260	220	235	168	100	405	130	315	19	24H9	10	16X22	95H7	100H7	100H7	150H6	100m6	300	130	210	325	
6	97.5	482	230	180	280	220	235	168	145	440	130	350	19	24H9	10	18X22	105H7	110H7	110H7	160H6	110m6	320	130	210	380	
7	114	572	280	215	320	275	275	193	130	500	160	385	24	28H9	10	16X26	115H7	120H7	120H7	180H6	120m6	370	165	210	550	
8	114	582	280	215	340	275	275	193	190	545	160	430	24	28H9	10	18X26	125H7	130H7	130H7	190H6	130m6	390	165	250	635	
9	140	662	320	245	380	315	325	231	155	585	185	450	28	36H9	20	20X26	135H7	140H7	140H7	220H6	140m6	430	175	250	890	
10	140	662	320	245	420	315	325	231	205	635	185	500	28	36H9	20	22X26	150H7	150H7	150H7	240H6	160m6	470	175	300	1020	
11	161	782	380	300	450	370	385	263	180	710	225	545	35	40H9	20	18X33	165H7	165H7	165H7	260H6	170m6	510	190	300	1455	
12	161	790	380	300	480	370	385	263	265	780	225	615	35	40H9	20	22X33	180H7	180H7	180H7	280H6	180m6	540	190	300	1730	

B3.H13 ~ B3.H26



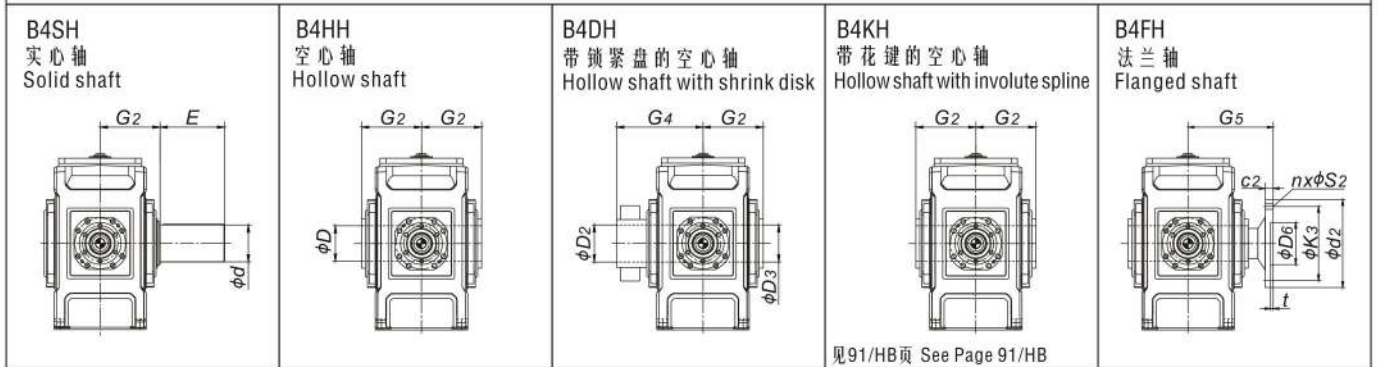
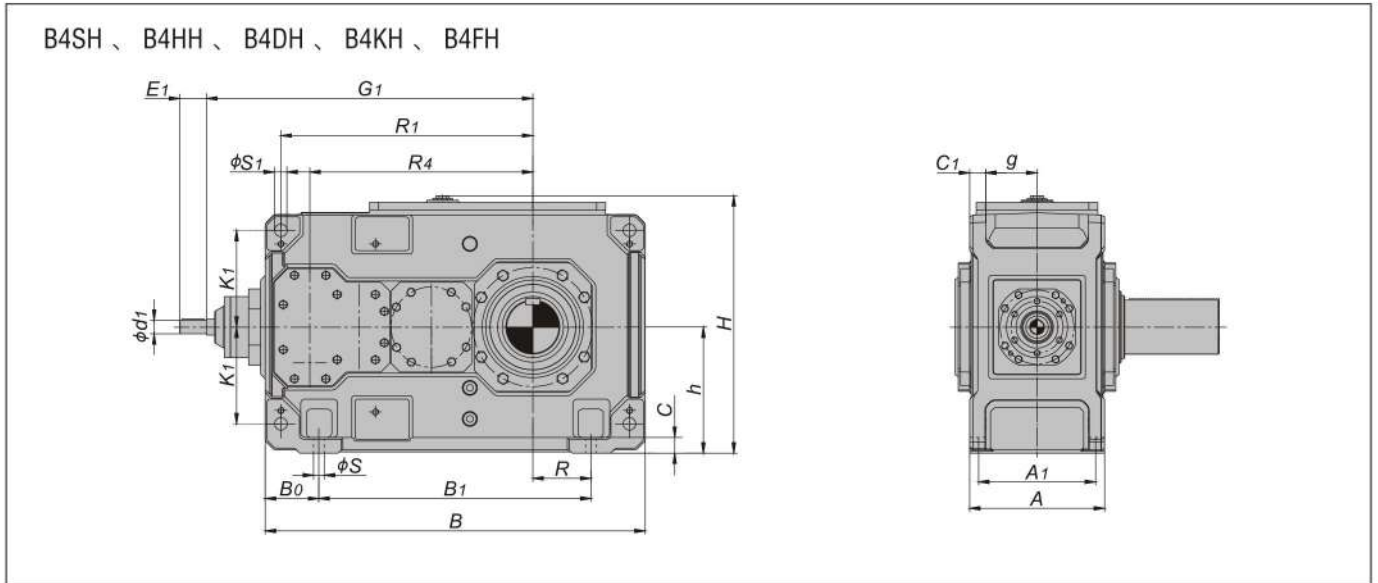
规格 Size	in=12.5-45						in=14-50			in=16-56			in=50-71			in=56-80			in=63-90			齿轮箱/Gear Units												
	d1	E1	E2	d1	E1	E2	d1	E1	E2	d1	E1	E2	d1	E1	E2	d1	E1	E2	d1	E1	E2	A	A1	B	B0	B1	B2	c	c1	C2	F1	G1	G2	G3
13	85m6	165	130									70m6	140	105							550	475	1290	100	545	545	60	61 ± 2	48	1180	1125	335	1160	
14							85m6	165	130									70m6	140	105	550	475	1430	100	545	685	60	61 ± 2	48	1250	1195	335	1230	
15	95m6	165	130									75m6	140	105							625	535	1550	120	655	655	70	72 ± 2	55	1420	1367	380	1402	
16				95m6	165	130						75m6	140	105							625	535	1640	120	655	745	70	72 ± 2	55	1470	1413	380	1448	
17	115m6	205	165									90m6	170	130							690	600	1740	135	735	735	80	81 ± 2	60	1620	1560	415	1600	
18				115m6	205	165						90m6	170	130							690	600	1860	135	735	855	80	81 ± 2	60	1680	1620	415	1660	
19	140m6	245	200									110m6	210	165							790	690	2010	155	850	850	90	91 ± 2	65	1900	1832	465	1877	
20				140m6	245	200						110m6	210	165							790	690	2130	155	850	970	90	91 ± 2	65	1960	1892	465	1937	
21	140m6	245	200									110m6	210	165							830	720	2140	170	900	900	100	100 ± 2	75	1970	1902	490	1947	
22				140m6	245	200						110m6	210	165							830	720	2250	170	900	1010	100	100 ± 2	75	2025	1957	490	2002	
23	150m6	245	200									115m6	210	165							930	810	2380	180	1010	1010	115	120 ± 2	-	2200	2130	540	2175	
24				150m6	245	200						115m6	210	165							930	810	2510	180	1010	1140	115	120 ± 2	-	2265	2195	540	2240	
25	150m6	245	200									115m6	210	165							1045	910	2580	200	1090	1090	130	120 ± 2	-	2315	2270	605	2315	
26				150m6	245	200						115m6	210	165							1045	910	2760	200	1090	1270	130	120 ± 2	-	2430	2360	605	2405	

规格 Size	齿轮箱/Gear Units																		输出轴/Output Shaft										重量weight (kg)		
	G4	G5	φ	H	h	h4	h5	K1	K3	P1	P2	P3	R	R1	R2	R3	R4	s	S1	nXS2	t	D	D2	D3	D6	d	d2	d6	E	B3.H	B3.M
13	480	480	211.5	900	440	450	460	340	500	425	435	325	305	835	405	265	635	35	48H9	20X33	14	190H7	190H7	190H7	310H6	200m6	580	210	350	2380	2260
14	480	480	211.5	900	440	450	460	340	540	425	435	325	375	905	475	265	705	35	48H9	24X33	14	210H7	210H7	210H7	310H6	210m6	620	210	350	2750	2615
15	550	550	238	1000	500	490	500	375	630	485	520	365	365	1005	485	320	762	42	55H9	28X33	17	230H7	230H7	230H7	360H6	230m6	710	210	410	3730	3540
16	550	550	238	1000	500	490	500	375	660	485	520	365	410	1050	530	320	808	42	55H9	30X33	17	240H7	240H7	240H7	360H6	240m6	740	210	410	3955	3765
17	600	600	259	1110	550	555	560	425	660	535	570	395	390	1145	525	370	860	42	55H9	24X39	18	250H7	250H7	250H7	410H6	250m6	750	230	410	4990	4760
18	600	600	259	1110	550	555	560	425	710	535	570	395	450	1205	585	370	920	42	55H9	26X39	18	275H7	280H7	280H7	410H6	270n6	800	230	470	5495	5240
19	*	670	299	1240	620	615	620	475	770	610	630	448	435	1345	590	420	997	48	65H9	30X39	18	-	*	*	460H6	290n6	860	245	470	7000	6500
20	*	670	299	1240	620	615	620	475	830	610	630	448	495	1405	650	420	1057	48	65H9	32X39	18	-	*	*	460H6	300n6	930	245	500	8100	7600
21	*	710	310	1390	700	685	690	520	850	690	690	473	485	1400	655	450	1067	56	75H9	28X45	20	-	*	*	520H6	320n6	950	280	500	9200	8600
22	*	710	310	1390	700	685	690	520	940	690	690	473	540	1455	710	450	1122	56	75H9	28X45	20	-	*	*	520H6	340n6	1040	280	550	9900	9400
23	*	-	342	1570	780	770	790	580	-	770	770	528	550	1560	730	490	1185	56	80H9	-	-	-	*	*	-	360n6	-	350	590	11500	10600
24	*	-	342	1570	780	770	790	580	-	770	770	528	615	1625	795	490	1250	56	80H9	-	-	-	*	*	-	380n6	-	350	590	13400	12500
25	*	-	400	1720	860	860	860	660	-	845	865	585	590	1685	790	490	1325	66	90H9	-	-	-	*	*	-	400n6	-	380	650	16000	15100
26	*	-	400	1720	860	860	860	660	-	845	865	585	680	1775	880	490	1415	66	90H9	-	-	-	*	*	-	420n6	-	380	650	17500	16400

注：“\*” 敬请垂询。

Note: “\*” on request.

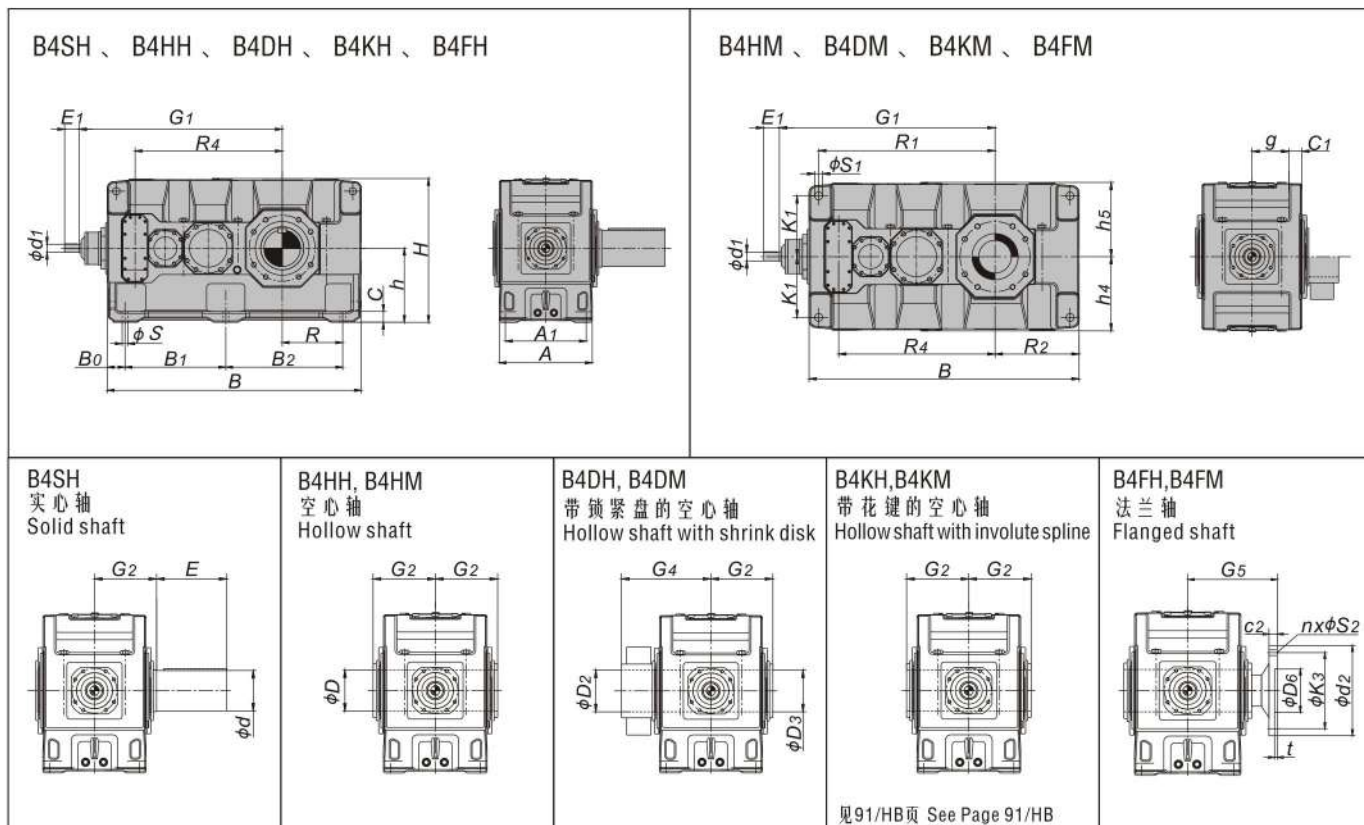
B4.H5 ~ B4.H12



规格 Size	in = 80 - 180								in = 100 - 224								in = 200 - 315								in = 250 - 400								齿轮箱/Gear Units																			
	d1	E1	d1	E1	d1	E1	d1	E1	d1	E1	d1	E1	d1	E1	d1	E1	d1	E1	A	A1	B	B0	B1	c	c1	C2	G1	G2	G4	G5																						
5	35k6	55			25k6	50				255	220	690	105	480	28	30 ± 1	25	615	165	240	255																															
6			35k6	55			25k6	50		255	220	770	105	560	28	30 ± 1	25	650	165	240	255																															
7	35k6	70			30k6	60				300	260	845	120	605	35	36 ± 1	30	725	195	280	300																															
8			35k6	70			30k6	60		300	260	950	120	710	35	36 ± 1	30	770	195	285	300																															
9	45k6	80			35k6	60				370	320	1000	145	710	40	45 ± 1.5	38	840	235	330	350																															
10			45k6	80			35k6	60		370	320	1100	145	810	40	45 ± 1.5	38	890	235	350	350																															
11	50k6	100			40k6	80				430	370	1200	165	870	50	54 ± 1.5	42	1010	270	400	400																															
12			50k6	100			40k6	80		430	370	1355	165	1025	50	54 ± 1.5	42	1080	270	405	400																															

规格 Size	齿轮箱/Gear Units													输出轴/Output Shaft										重量 weight (kg)
	g	H	h	K1	K3	R	R1	R4	s	S1	nXS2	t	D	D2	D3	D6	d	d2	E					
5	97.5	482	230	180	260	100	455	405	19	24H9	16X22	10	95H7	100H7	100H7	150H6	100m6	300	210	335				
6	97.5	482	230	180	280	145	490	440	19	24H9	18X22	10	105H7	110H7	110H7	160H6	110m6	320	210	385				
7	114	572	280	215	320	130	560	495	24	28H9	16X26	10	115H7	120H7	120H7	180H6	120m6	370	210	555				
8	114	582	280	215	340	190	605	540	24	28H9	18X26	10	125H7	130H7	130H7	190H6	130m6	390	250	655				
9	140	662	320	245	380	155	660	580	28	36H9	20X26	12	135H7	140H7	140H7	220H6	140m6	430	250	890				
10	140	662	320	245	420	205	710	630	28	36H9	22X26	12	150H7	150H7	150H7	240H6	160m6	470	300	1025				
11	161	782	380	300	450	180	805	705	35	40H9	18X33	12	165H7	165H7	165H7	260H6	170m6	510	300	1485				
12	161	790	380	300	480	265	875	775	35	40H9	22X33	12	180H7	180H7	180H7	280H6	180m6	540	300	1750				

B4.H13 ~ B4.H26



见91/HB页 See Page 91/HB

规格 Size	in=80 - 180						in=90 - 200						in=100 - 224						in=200 - 315						in=224 - 355						in=250 - 400						齿轮箱/Gear Units											
	d1	E1	d1	E1	d1	E1	d1	E1	d1	E1	d1	E1	d1	E1	d1	E1	d1	E1	A	A1	B	B0	B1	B2	c	c1	C2	G1	G2	G4																		
13	60m6	110								50k6	100							550	475	1395	100	597.5	597.5	60	61 ± 2	48	1170	335	480																			
14					60m6	110											50k6	100	550	475	1535	100	597.5	737.5	60	61 ± 2	48	1240	335	480																		
15	75m6	135						60m6	110									625	535	1680	120	720	720	70	72 ± 2	55	1402	380	550																			
16			75m6	135						60m6	110							625	535	1770	120	720	810	70	72 ± 2	55	1448	380	550																			
17	75m6	135						60m6	110									690	600	1770	135	750	750	80	81 ± 2	60	1450	415	600																			
18			75m6	135						60m6	110							690	600	1890	135	750	870	80	81 ± 2	60	1510	415	600																			
19	85m6	165						70m6	140									790	690	2030	155	860	860	90	91 ± 2	65	1680	465	*																			
20			85m6	165						70m6	140							790	690	2150	155	860	980	90	91 ± 2	65	1740	465	*																			
21	95m6	165						75m6	140									830	720	2340	170	1000	1000	100	100 ± 2	75	1992	490	*																			
22			95m6	165						75m6	140							830	720	2450	170	1000	1110	100	100 ± 2	75	2047	490	*																			
23	95m6	165						75m6	140									930	810	2530	180	1085	1085	115	120 ± 2	-	2110	540	*																			
24			95m6	165						75m6	140							930	810	2660	180	1085	1215	115	120 ± 2	-	2175	540	*																			
25	115m6	205						90m6	170									1045	910	2830	200	1215	1215	130	120 ± 2	-	2395	605	*																			
26			115m6	205						90m6	170							1045	910	3010	200	1215	1395	130	120 ± 2	-	2485	605	*																			

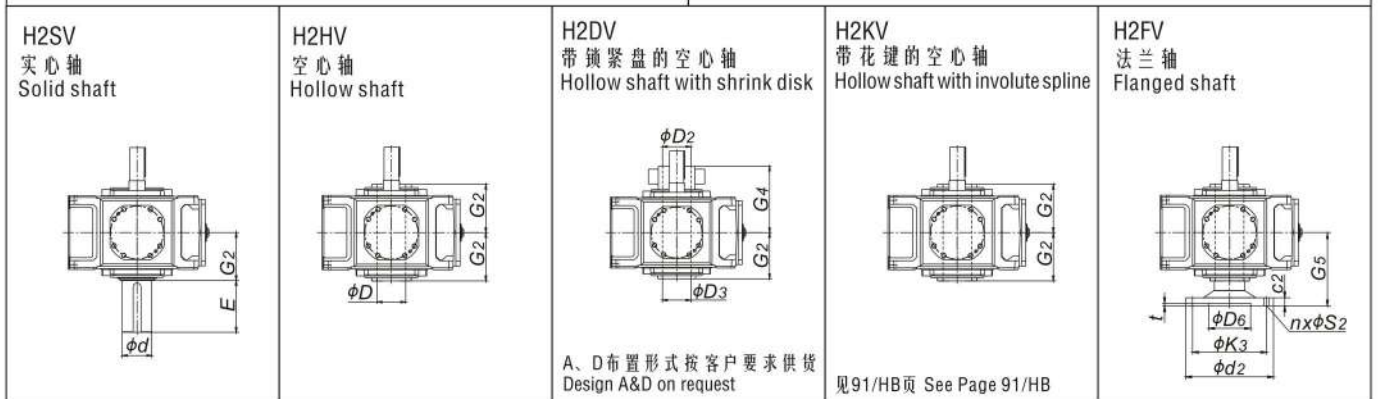
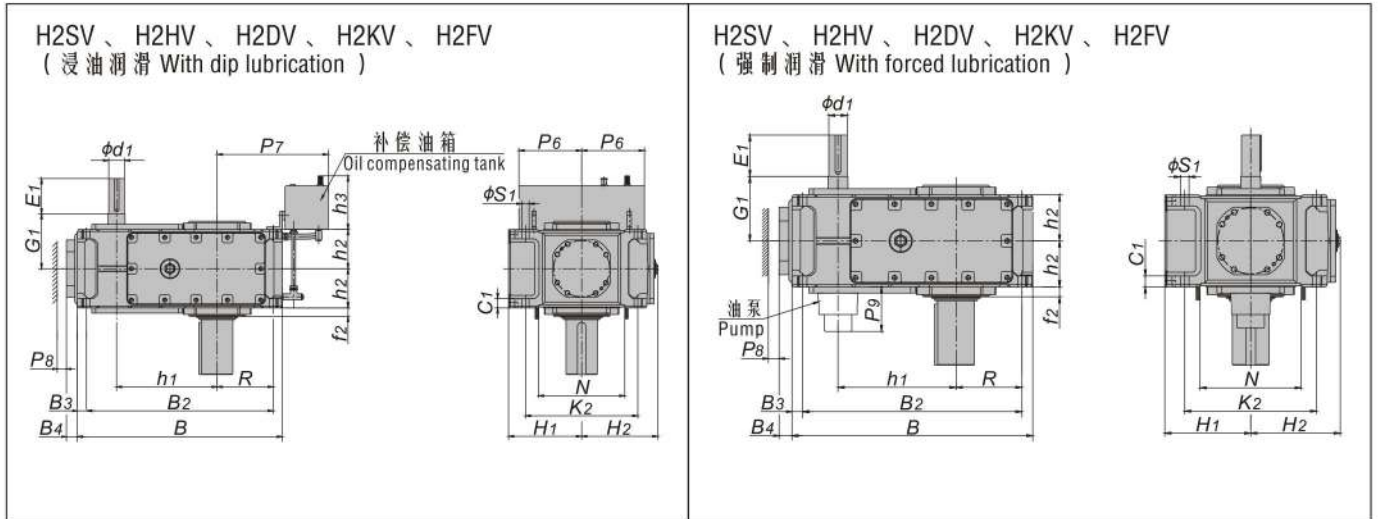
规格 Size	齿轮箱/Gear Units														输出轴/Output Shaft										重量 weight (kg)	
	G5	g	H	h	h4	h5	K1	K3	R	R1	R2	R4	s	S1	nXS2	t	D	D2	D3	D6	d	d2	E	B4.H	B4.M	
13	480	211.5	900	440	450	460	340	500	305	940	405	820	35	48H9	20X33	14	190H7	190H7	190H7	310H6	200m6	580	350	2395	2280	
14	480	211.5	900	440	450	460	340	540	375	1010	475	890	35	48H9	24X33	14	210H7	210H7	210H7	310H6	210m6	620	350	2735	2605	
15	550	238	1000	500	490	500	375	630	365	1135	485	987	42	55H9	28X33	17	230H7	230H7	230H7	360H6	230m6	710	410	3630	3435	
16	550	238	1000	500	490	500	375	660	410	1180	530	1033	42	55H9	30X33	17	240H7	240H7	240H7	360H6	240m6	740	410	3985	3765	
17	600	259	1110	550	555	560	425	660	390	1175	525	1035	42	55H9	24X39	18	250H7	250H7	250H7	410H6	250m6	750	410	4695	4460	
18	600	259	1110	550	555	560	425	710	450	1235	585	1095	42	55H9	26X39	18	275H7	280H7	280H7	410H6	270m6	800	470	5200	4930	
19	670	299	1240	620	615	620	475	770	435	1365	590	1190	48	65H9	30X39	18	-	*	*	460H6	290m6	860	470	6800	6300	
20	670	299	1240	620	615	620	475	830	495	1425	650	1250	48	65H9	32X39	18	-	*	*	460H6	300m6	930	500	8200	7700	
21	710	310	1390	700	685	690	520	850	485	1600	655	1387	56	75H9	28X45	20	-	*	*	520H6	320m6	950	500	9200	8600	
22	710	310	1390	700	685	690	520	940	540	1655	710	1442	56	75H9	28X45	20	-	*	*	520H6	340m6	1040	550	9900	9400	
23	-	342	1570	780	770	790	580	-	550	1725	730	1505	56	80H9	-	-	-	*	*	-	360m6	-	590	11600	10700	
24	-	342	1570	780	770	790	580	-	615	1790	795	1570	56	80H9	-	-	-	*	*	-	380m6	-	590	13500	12600	
25	-	400	1720	860	860	860	660	-	590	1965	790	1695	66	90H9	-	-	-	*	*	-	400m6	-	650	16100	15200	
26	-	400	1720	860	860	860	660	-	680	2055	880	1785	66	90H9	-	-	-	*	*	-	420m6	-	650	17600	16500	

注：“\*” 敬请垂询。

Note: “\*” on request.



## H2.V4 ~ H2.V12

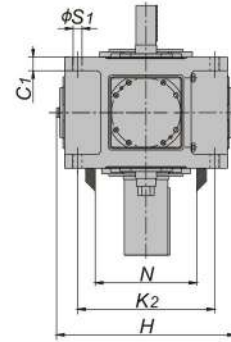
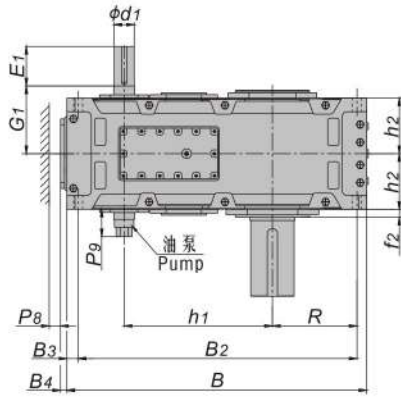


规格 Size	iN=6.3 - 11.2		iN=8 - 14		iN=12.5 - 22.4		iN=16 - 28		齿轮箱/Gear Units													
	d1	E1	d1	E1	d1	E1	d1	E1	B	B2	B3	B4	C1	C2	f2	G1	G2	G4	G5	H1	H2	h1
4	45k6	100			32k6	80			565	505	30	28	30 ± 1	-	22	170	140	205	-	200	215	270
5	50k6	100			38k6	80			640	580	30	38	30 ± 1	25	28	195	165	240	255	230	252	315
6			50k6	100			38k6	80	720	660	30	38	30 ± 1	25	28	195	165	240	255	230	252	350
7	60m6	135			50k6	110			785	715	35	42	36 ± 1	30	30	210	195	280	300	280	292	385
8			60m6	135			50k6	110	890	820	35	42	36 ± 1	30	32	210	195	285	300	280	302	430
9	75m6	140			60m6	140			925	845	40	42	45 ± 1.5	38	32	240	235	330	350	320	342	450
10			75m6	140			60m6	140	1025	945	40	42	45 ± 1.5	38	32	240	235	350	350	320	342	500
11	90m6	165			70m6	140			1105	1005	50	48	54 ± 1.5	42	35	275	270	400	400	380	402	545
12			90m6	165			70m6	140	1260	1160	50	48	54 ± 1.5	42	35	275	270	405	400	380	410	615

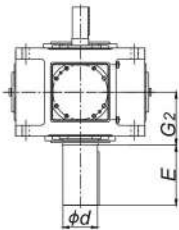
规格 Size	齿轮箱/Gear Units												输出轴/Output Shaft								重量 weight (kg)
	h2	h3	K2	K3	N	P6	P7	P8	P9	R	S1	nXS2	t	D	D2	D3	D6	d	d2	E	
4	107.5	165	300	-	220	150	320	35	-	160	24H9	-	-	80H7	85H7	85H7	-	80m6	-	170	190
5	127.5	205	360	260	270	240	385	35	150	175	24H9	16X22	10	95H7	100H7	100H7	150H6	100m6	300	210	300
6	127.5	205	360	280	270	240	425	35	150	220	24H9	18X22	10	105H7	110H7	110H7	160H6	110m6	320	210	355
7	150	205	430	320	330	240	425	35	145	215	28H9	16X26	10	115H7	120H7	120H7	180H6	120m6	370	210	505
8	150	205	430	340	330	240	485	35	145	275	28H9	18X26	10	125H7	130H7	130H7	190H6	130m6	390	250	590
9	185	275	490	380	370	330	560	40	135	260	36H9	20X26	12	135H7	140H7	140H7	220H6	140m6	430	250	830
10	185	275	490	420	370	330	610	40	135	310	36H9	22X26	12	150H7	150H7	150H7	240H6	160m6	470	300	960
11	215	275	600	450	440	330	595	50	145	295	40H9	18X33	12	165H7	165H7	165H7	260H6	170m6	510	300	1335
12	215	275	600	480	440	330	680	50	145	380	40H9	22X33	12	180H7	180H7	180H7	280H6	180m6	540	300	1615

H2.V13 ~ H2.V22

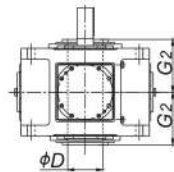
H2SV、H2HV、H2DV、H2KV、H2FV (强制润滑 With forced lubrication)



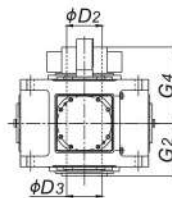
H2SV  
实心轴  
Solid shaft



H2HV  
空心轴  
Hollow shaft

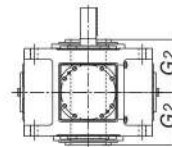


H2DV  
带锁紧盘的空心轴  
Hollow shaft with shrink disk



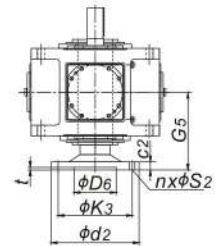
A、D布置形式按客户要求供货  
Design A&D on request

H2KV  
带花键的空心轴  
Hollow shaft with involute spline



见91/HB页 See Page 91/HB

H2FV  
法兰轴  
Flanged shaft

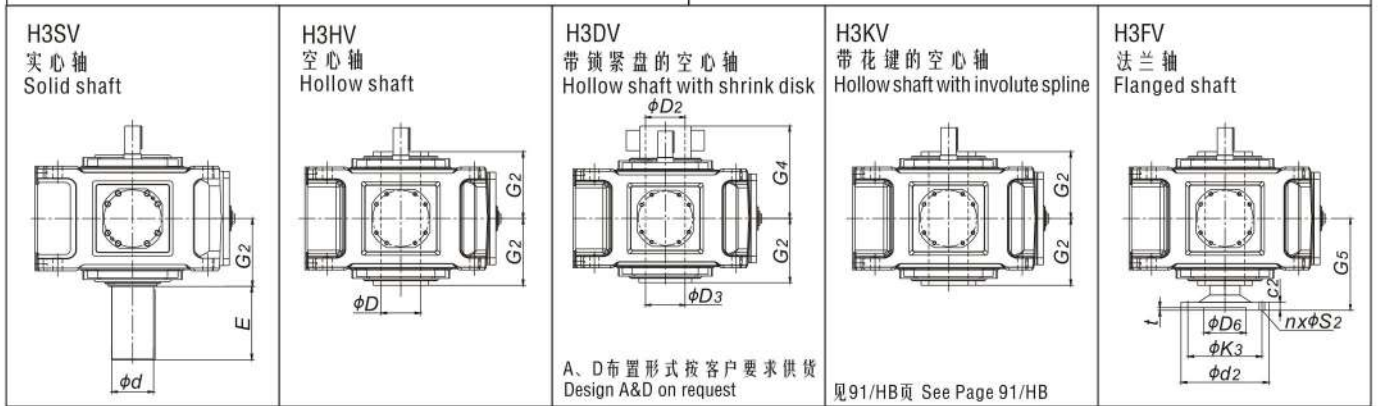
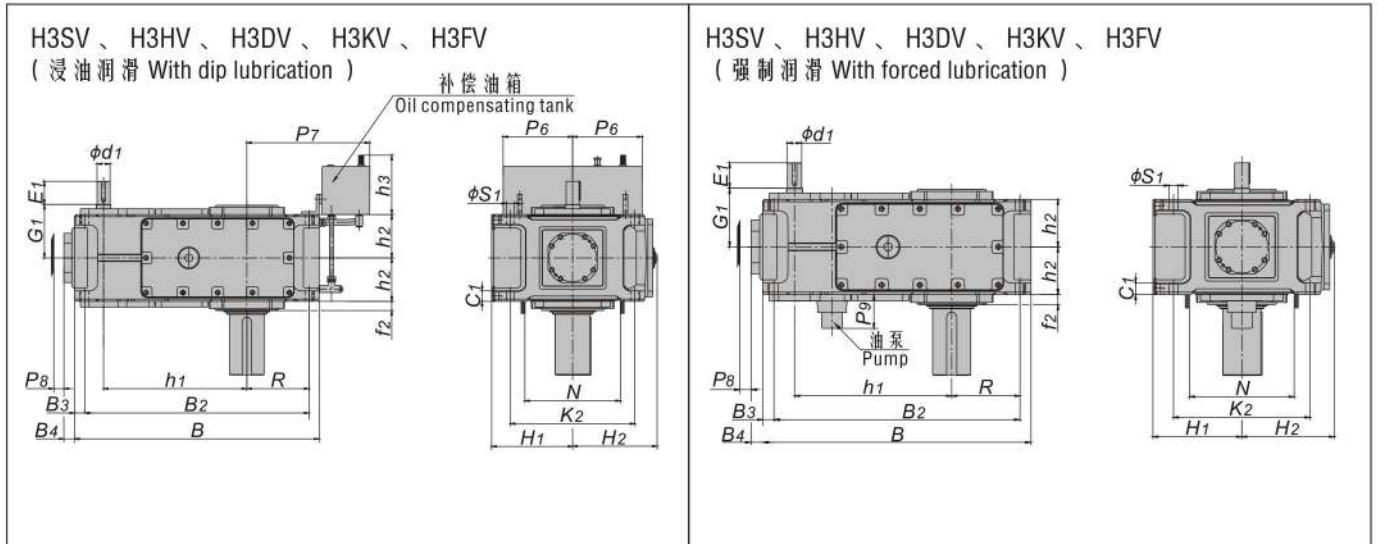


规格 Size	in=6.3 - 11.2		in=7.1 - 12.5		in=8 - 14		in=12.5 - 20		in=14 - 22.4		in=16 - 25		齿轮箱/Gear Units									
	d1	E1	d1	E1	d1	E1	d1	E1	d1	E1	d1	E1	B	B2	B3	B4	C1	C2	f2	G1	G2	G4
13	100m6	205					85m6	170					1290	1195	50	53	61 ± 2	48	35	330	335	480
14					100m6	205					85m6	170	1430	1335	50	53	61 ± 2	48	35	330	335	480
15	120m6	210					100m6	210					1550	1435	60	63	72 ± 2	55	42	365	380	550
16			120m6	210					100m6	210			1640	1525	60	63	72 ± 2	55	42	365	380	550
17	125m6	245					110m6	210					1740	1610	70	60	81 ± 2	60	42	420	415	600
18			125m6	245					110m6	210			1860	1730	70	60	81 ± 2	60	42	420	415	600
19-22	敬请垂询 On request																					



规格 Size	齿轮箱/Gear Units											输出轴/Output Shaft								重量 weight (kg)	
	G5	H	h1	h2	N	K2	K3	P8	P9	R	S1	nXS2	t	D	D2	D3	D6	d	d2		E
13	480	900	635	272.5	500	680	500	50	130	360	48H9	20X33	14	190H7	190H7	190H7	310H6	200m6	580	350	1880
14	480	900	705	272.5	500	680	540	50	130	430	48H9	24X33	14	210H7	210H7	210H7	310H6	210m6	620	350	2430
15	550	980	762	310	570	750	630	50	130	430	55H9	28X33	17	230H7	230H7	230H7	360H6	230m6	710	410	3240
16	550	980	808	310	570	750	660	50	130	475	55H9	30X33	17	240H7	240H7	240H7	360H6	240m6	740	410	3465
17	600	1110	860	340	630	850	660	70	170	465	55H9	24X39	18	250H7	250H7	250H7	410H6	250m6	750	410	4420
18	600	1110	920	340	630	850	710	70	170	525	55H9	26X39	18	275H7	280H7	280H7	410H6	270m6	800	470	4870
19-22	敬请垂询 On request																				

H3.V5 ~ H3.V12

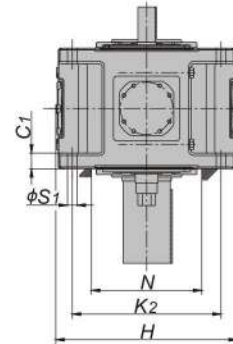
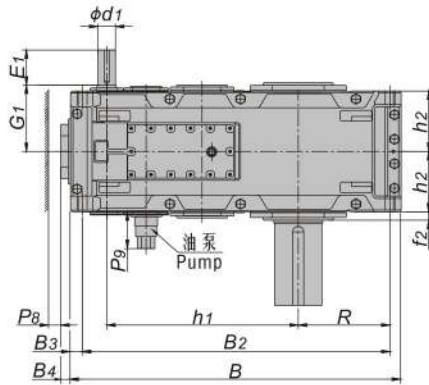


规格 Size	in=25 - 45		in=31.5 - 56		in=50 - 63		in=63 - 80		in=71 - 90		in=90 - 112		齿轮箱/Gear Units										
	d1	E1	d1	E1	d1	E1	d1	E1	d1	E1	d1	E1	B	B2	B3	C1	C2	f2	G1	G2	G4	G5	H1
5	40k6	90			30k6	70			24k6	60			690	630	30	30 ± 1	25	28	170	165	240	255	230
6			40k6	90			30k6	70			24k6	60	770	710	30	30 ± 1	25	28	170	165	240	255	230
7	45k6	100			35k6	80			28k6	70			845	775	35	36 ± 1	30	30	210	195	280	300	280
8			45k6	100			35k6	80			28k6	70	950	880	35	36 ± 1	30	32	210	195	285	300	280
9	60m6	125			45k6	100			32k6	80			1000	920	40	45 ± 1.5	38	32	250	235	330	350	320
10			60m6	125			45k6	100			32k6	80	1100	1020	40	45 ± 1.5	38	32	250	235	350	350	320
11	70m6	140			50k6	110			42k6	100			1200	1100	50	54 ± 1.5	42	35	285	270	400	400	380
12			70m6	140			50k6	110			42k6	100	1355	1255	50	54 ± 1.5	42	35	285	270	405	400	380

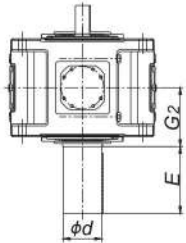
规格 Size	齿轮箱/Gear Units														输出轴/Output Shaft										重量 Weight (kg)
	H2	h1	h2	h3	K2	K3	N	P6	P7	P8	P9	R	S1	nXS2	t	D	D2	D3	D6	d	d2	E			
5	252	405	127.5	205	360	260	270	240	385	35	190	175	24H9	16X22	10	95H7	100H7	100H7	150H6	100m6	300	210	320		
6	252	440	127.5	205	360	280	270	240	425	35	190	220	24H9	18X22	10	105H7	110H7	110H7	160H6	110m6	320	210	365		
7	292	495	150	205	430	320	330	240	425	35	185	215	28H9	16X26	10	115H7	120H7	120H7	180H6	120m6	370	210	540		
8	312	540	150	205	430	340	330	240	485	35	185	275	28H9	18X26	10	125H7	130H7	130H7	190H6	130m6	390	250	625		
9	342	580	185	275	490	380	370	330	560	40	170	260	36H9	20X26	12	135H7	140H7	140H7	220H6	140m6	430	250	875		
10	342	630	185	275	490	420	370	330	610	40	170	310	36H9	22X26	12	150H7	150H7	150H7	240H6	160m6	470	300	1020		
11	402	705	215	275	600	450	440	330	595	50	170	295	40H9	18X33	12	165H7	165H7	165H7	260H6	170m6	510	300	1400		
12	410	775	215	275	600	480	440	330	680	50	170	380	40H9	22X33	12	180H7	180H7	180H7	280H6	180m6	540	300	1675		

H3.V13 ~ H3.V22

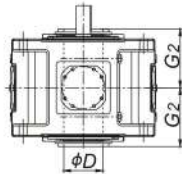
H3SV、H3HV、H3DV、H3KV、H3FV (强制润滑 With forced lubrication)



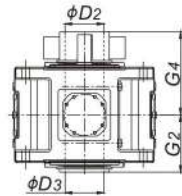
H3SV  
实心轴  
Solid shaft



H3HV  
空心轴  
Hollow shaft

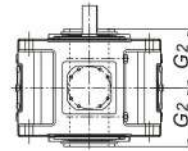


H3DV  
带锁紧盘的空心轴  
Hollow shaft with shrink disk



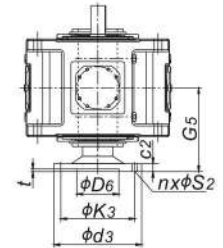
A、D布置形式按客户要求供货  
Design A&D on request

H3KV  
带花键的空心轴  
Hollow shaft with involute spline



见91/HB页 See Page 91/HB

H3FV  
法兰轴  
Flanged shaft



规格 Size	in=22.4 - 45		in=25 - 50		in=28 - 56		in=50 - 63		in=56 - 71		in=63 - 80		in=71 - 90		in=80 - 100		in=90 - 112		齿轮箱/Gear Units					
	d1	E1	d1	E1	d1	E1	d1	E1	d1	E1	d1	E1	d1	E1	d1	E1	d1	E1	B	B2	B3	C1	C2	f2
13	85m6	160					60m6	135					50k6	110					1395	1300	50	61 ± 2	48	35
14					85m6	160					60m6	135					50k6	110	1535	1440	50	61 ± 2	48	35
15	100m6	200					75m6	140					60m6	140					1680	1565	60	72 ± 2	55	42
16			100m6	200					75m6	140					60m6	140			1770	1655	60	72 ± 2	55	42
17	100m6	200					75m6	140					60m6	140					1770	1640	70	81 ± 2	60	42
18			100m6	200					75m6	140					60m6	140			1890	1760	70	81 ± 2	60	42

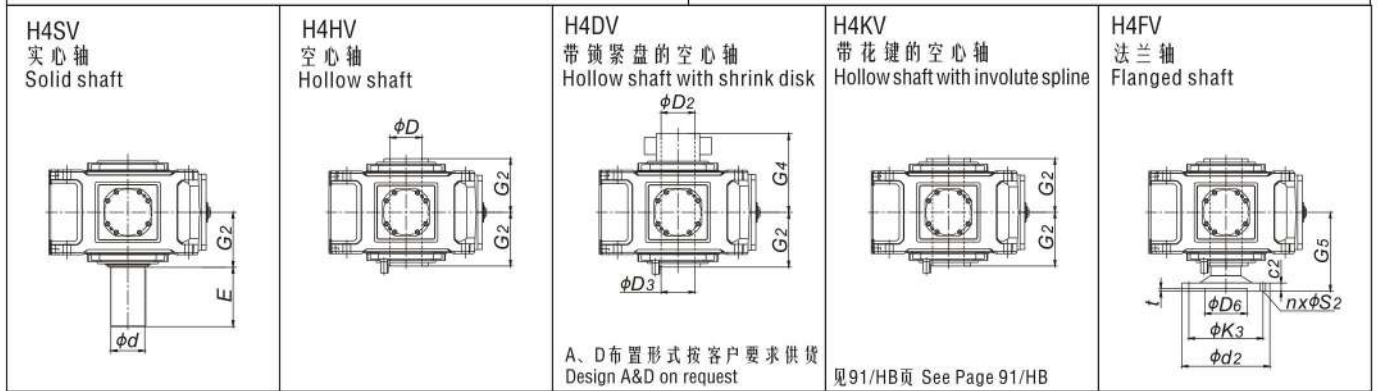
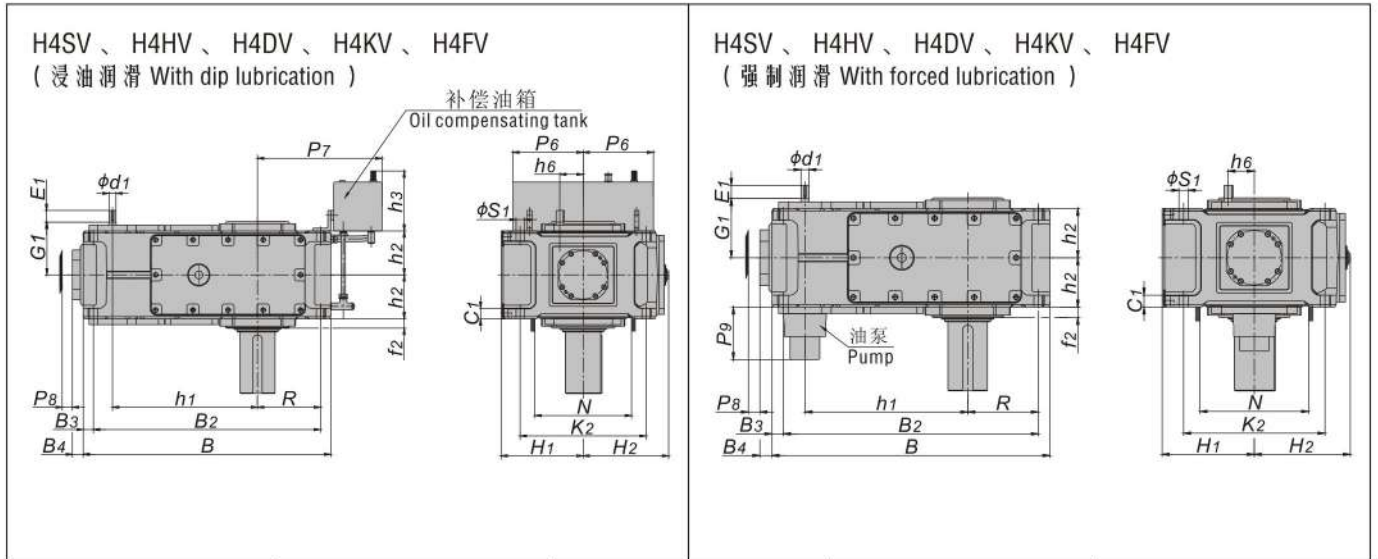
敬请垂询  
On request

规格 Size	齿轮箱/Gear Units															输出轴/Output Shaft							重量 weight (kg)	
	G1	G2	G4	G5	H	h1	h2	K2	K3	N	P8	P9	R	S1	nXS2	t	D	D2	D3	D6	d	d2		E
13	325	335	480	480	900	820	272.5	680	500	500	50	170	360	48H9	20X33	14	190H7	190H7	190H7	310H6	200m6	580	350	2155
14	325	335	480	480	900	890	272.5	680	540	500	50	170	430	48H9	24X33	14	210H7	210H7	210H7	310H6	210m6	620	350	2490
15	365	380	550	550	980	987	310	750	630	570	50	170	430	55H9	28X33	17	230H7	230H7	230H7	360H6	230m6	710	410	3260
16	365	380	550	550	980	1033	310	750	660	570	50	170	475	55H9	30X33	17	240H7	240H7	240H7	360H6	240m6	740	410	3625
17	400	415	600	600	1110	1035	340	850	660	630	70	210	465	55H9	24X39	18	250H7	250H7	250H7	410H6	250m6	750	410	4250
18	400	415	600	600	1110	1095	340	850	710	630	70	210	525	55H9	26X39	18	275H7	280H7	280H7	410H6	270m6	800	470	4740

敬请垂询  
On request



H4.V7 ~ H4.V12

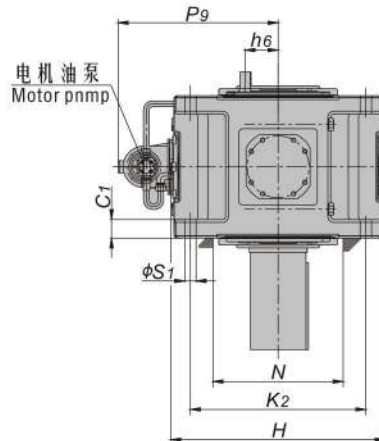
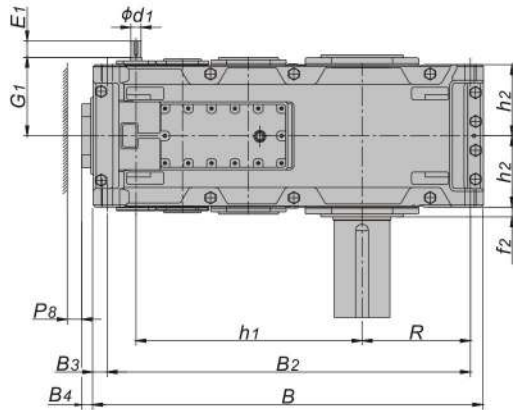


规格 Size	iN=100-180		iN=125-224		iN=200-355		iN=250-450		齿轮箱/Gear Units													
	d1	E1	d1	E1	d1	E1	d1	E1	B	B2	B3	B4	C1	C2	f2	G1	G2	G4	G5	H1	H2	h1
7	30k6	50			24k6	40			845	775	35	37	36 ± 1	30	30	180	195	280	300	280	292	495
8			30k6	50			24k6	40	950	880	35	37	36 ± 1	30	32	180	195	285	300	280	302	540
9	35k6	60			28k6	50			1000	920	40	43	45 ± 1.5	38	32	215	235	330	350	320	342	580
10			35k6	60			28k6	50	1100	1020	40	43	45 ± 1.5	38	32	215	235	350	350	320	342	630
11	45k6	100			32k6	80			1200	1100	50	47	54 ± 1.5	42	35	250	270	400	400	380	402	705
12			45k6	100			32k6	80	1355	1255	50	47	54 ± 1.5	42	35	250	270	405	400	380	410	775

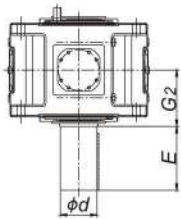
规格 Size	齿轮箱/Gear Units														输出轴/Output Shaft							重量 weight (kg)
	h2	h3	h6	K2	K3	N	P6	P7	P8	P9	R	S1	nXS2	t	D	D2	D3	D6	d	d2	E	
7	150	205	80	430	320	330	240	425	35	160	215	28H9	16X26	10	115H7	120H7	120H7	180H6	120m6	370	210	550
8	150	205	80	430	340	330	240	485	35	160	275	28H9	18X26	10	125H7	130H7	130H7	190H6	130m6	390	250	645
9	185	275	90	490	380	370	330	560	40	170	260	36H9	20X26	12	135H7	140H7	140H7	220H6	140m6	430	250	875
10	185	275	90	490	420	370	330	610	40	170	310	36H9	22X26	12	150H7	150H7	150H7	240H6	160m6	470	300	1010
11	215	275	110	600	450	440	330	595	50	170	295	40H9	18X33	12	165H7	165H7	165H7	260H6	170m6	510	300	1460
12	215	275	110	600	480	440	330	680	50	170	380	40H9	22X33	12	180H7	180H7	180H7	280H6	180m6	540	300	1725

H4.V13 ~ H4.V22

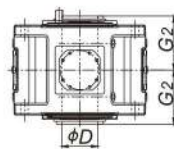
H4SV、H4HV、H4DV、H4KV、H4FV (强制润滑 With forced lubrication)



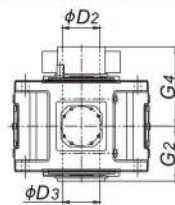
H4SV  
实心轴  
Solid shaft



H4HV  
空心轴  
Hollow shaft

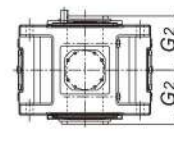


H4DV  
带锁紧盘的空心轴  
Hollow shaft with shrink disk



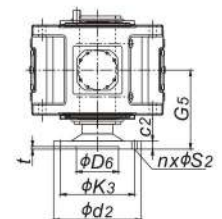
A、D布置形式按客户要求供货  
Design A&D on request

H4KV  
带花键的空心轴  
Hollow shaft with involute spline



见91/HB页 See Page 91/HB

H4FV  
法兰轴  
Flanged shaft

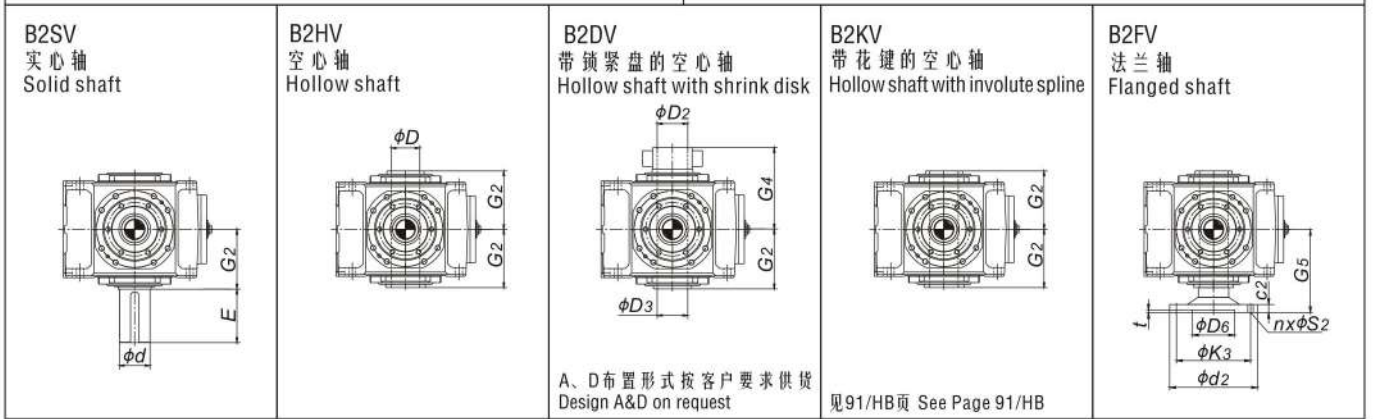
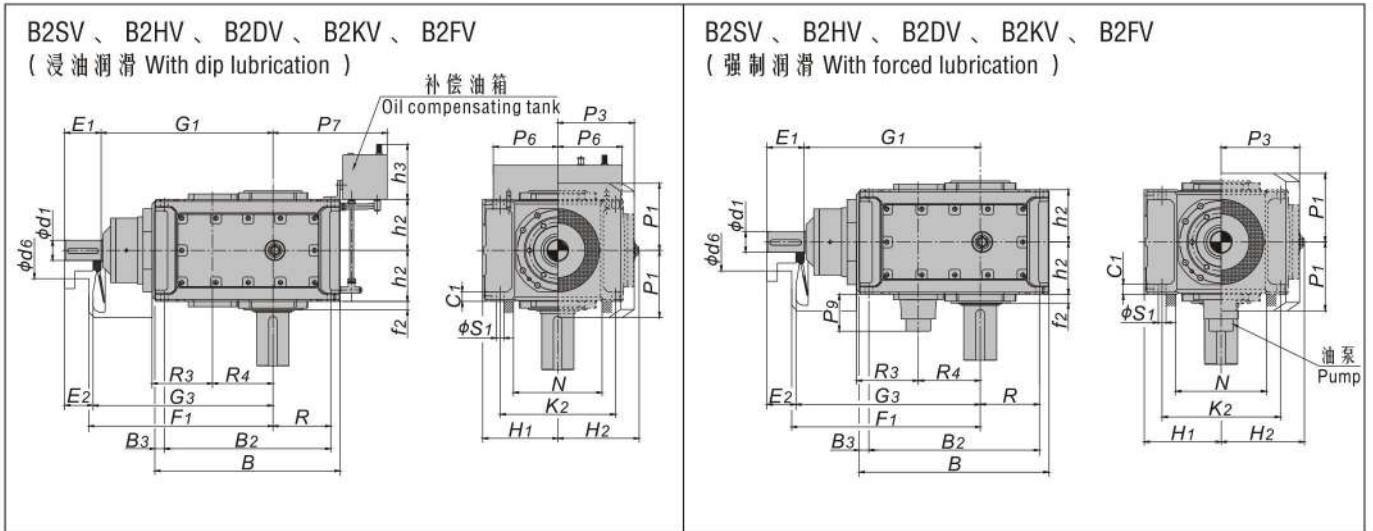


规格 Size	in=100 - 180		in=112 - 200		in=125 - 224		in=200 - 355		in=224 - 400		in=250 - 450		齿轮箱/Gear Units									
	d1	E1	d1	E1	d1	E1	d1	E1	d1	E1	d1	E1	B	B2	B3	B4	C1	C2	f2	G1	G2	G4
13	50k6	100					38k6	80					1395	1300	50	47	61 ± 2	48	35	305	335	480
14					50k6	100					38k6	80	1535	1440	50	47	61 ± 2	48	35	305	335	480
15	60m6	135					50k6	110					1680	1565	60	56	72 ± 2	55	42	345	380	550
16			60m6	135					50k6	110			1770	1655	60	56	72 ± 2	55	42	345	380	550
17	60m6	135					50k6	110					1770	1640	70	53	81 ± 2	60	42	380	415	600
18			60m6	135					50k6	110			1890	1760	70	53	81 ± 2	60	42	380	415	600
19-22	敬请垂询 On request																					



规格 Size	齿轮箱/Gear Units												输出轴/Output Shaft										重量 weight (kg)
	G5	H	h1	h2	h6	K2	K3	N	P8	P9	R	S1	nXS2	t	D	D2	D3	D6	d	d2	E		
13	480	900	820	272.5	130	680	500	500	50	670	360	48H9	20X33	14	190H7	190H7	190H7	310H6	200m6	580	350	2270	
14	480	900	890	272.5	130	680	540	500	50	670	430	48H9	24X33	14	210H7	210H7	210H7	310H6	210m6	620	350	2600	
15	550	980	987	310	160	750	630	570	50	710	430	55H9	28X33	17	230H7	230H7	230H7	360H6	230m6	710	410	3440	
16	550	980	1033	310	160	750	660	570	50	710	475	55H9	30X33	17	240H7	240H7	240H7	360H6	240m6	740	410	3740	
17	600	1110	1035	340	160	850	660	630	70	775	465	55H9	24X39	18	250H7	250H7	250H7	410H6	250m6	750	410	4445	
18	600	1110	1095	340	160	850	710	630	70	775	525	55H9	26X39	18	275H7	280H7	280H7	410H6	270n6	800	470	4915	
19-22	敬请垂询 On request																						

B2.V4 ~ B2.V12



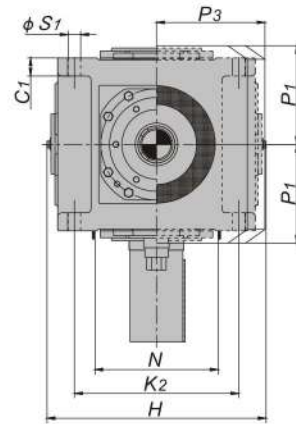
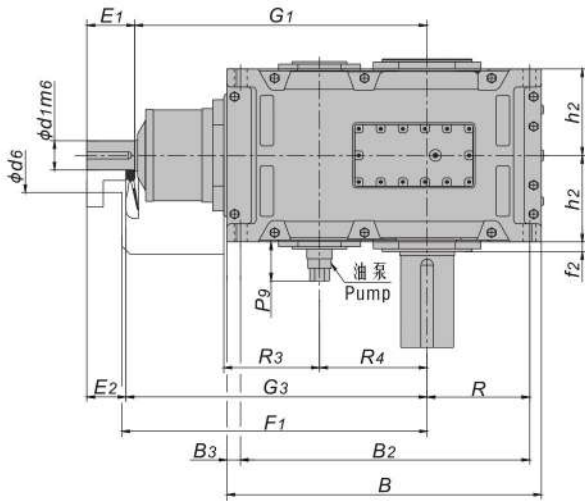
规格 Size	iN = 5 - 11.2			iN = 6.3 - 14			齿轮箱/Gear Units																
	d1	E1	E2	d1	E1	E2	B	B2	B3	C1	C2	F1	f2	G1	G2	G3	G4	G5	H1	H2	h2	h3	K2
4	50k6	100	80				505	445	30	30 ±1	-	495	26	465	170	485	235	-	200	215	135	165	300
5	60m6	110	80				565	505	30	30 ±1	25	575	30	535	200	565	275	290	230	252	160	205	360
6				60m6	110	80	645	585	30	30 ±1	25	610	30	570	200	600	275	290	230	252	160	205	360
7	75m6	135	105				690	620	35	36 ±1	30	685	32	640	235	670	320	340	280	302	190	205	430
8				75m6	135	105	795	725	35	36 ±1	30	730	32	685	235	715	325	340	280	302	190	205	430
9	85m6	165	130				820	740	40	48 ±1.5	38	805	45	755	270	790	365	385	320	342	220	275	490
10				85m6	165	130	920	840	40	48 ±1.5	38	855	45	805	270	840	385	385	320	342	220	275	490
11	95m6	165	130				975	875	50	54 ±1.5	42	980	47	925	320	960	450	450	380	410	265	275	600
12				95m6	165	130	1130	1030	50	54 ±1.5	42	1050	47	995	320	1030	455	450	380	410	265	275	600

规格 Size	齿轮箱/Gear Units													输出轴/Output Shaft								重量 weight (kg)
	K3	N	P1	P3	P6	P7	P9	R	R3	R4	S1	nXS2	t	D	D2	D3	D6	d	d2	d6	E	
4	-	220	188	200	150	320	-	160	160	160	24H9	-	-	80H7	85H7	85H7	-	80m6	-	150	170	235
5	260	270	215	235	240	385	190	175	185	185	24H9	16X22	10	95H7	100H7	100H7	150H6	100m6	300	160	210	360
6	280	270	215	235	240	425	190	220	185	220	24H9	18X22	10	105H7	110H7	110H7	160H6	110m6	320	160	210	410
7	320	330	250	285	240	425	200	215	225	225	28H9	16X26	10	115H7	120H7	120H7	180H6	120m6	370	210	210	615
8	340	330	250	285	240	485	200	275	225	270	28H9	18X26	10	125H7	130H7	130H7	190H6	130m6	390	210	250	700
9	380	370	270	325	330	560	200	260	265	265	36H9	20X26	12	135H7	140H7	140H7	220H6	140m6	430	195	250	1000
10	420	370	270	325	330	610	200	310	265	315	36H9	22X26	12	150H7	150H7	150H7	240H6	160m6	470	195	300	1155
11	450	440	328	385	330	595	200	295	320	320	40H9	18X33	12	165H7	165H7	165H7	260H6	170m6	510	210	300	1640
12	480	440	328	385	330	680	200	380	320	390	40H9	22X33	12	180H7	180H7	180H7	280H6	180m6	540	210	300	1910

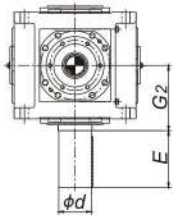


B2.V13 ~ B2.V18

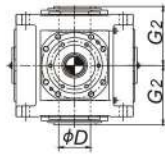
B2SV、B2HV、B2DV、B2KV、B2FV (强制润滑 With forced lubrication)



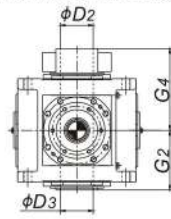
B2SV  
实心轴  
Solid shaft



B2HV  
空心轴  
Hollow shaft

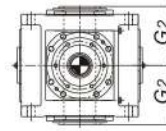


B2DV  
带锁紧盘的空心轴  
Hollow shaft with shrink disk



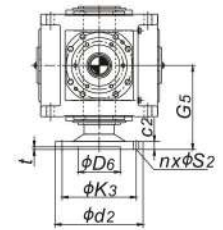
A、D布置形式按客户要求供货  
Design A&D on request

B2KV  
带花键的空心轴  
Hollow shaft with involute spline



见91/HB页 See Page 91/HB

B2FV  
法兰轴  
Flanged shaft

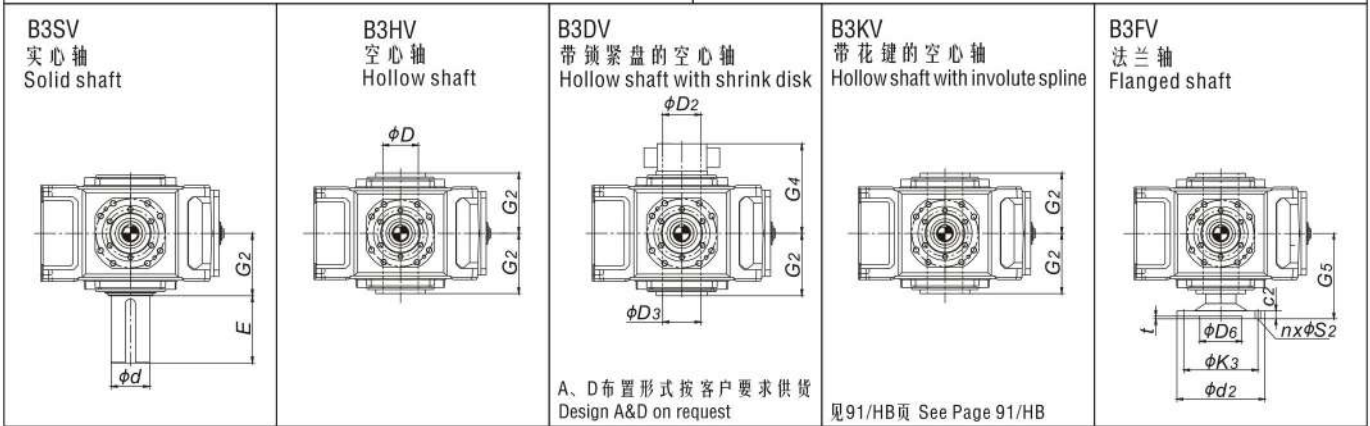
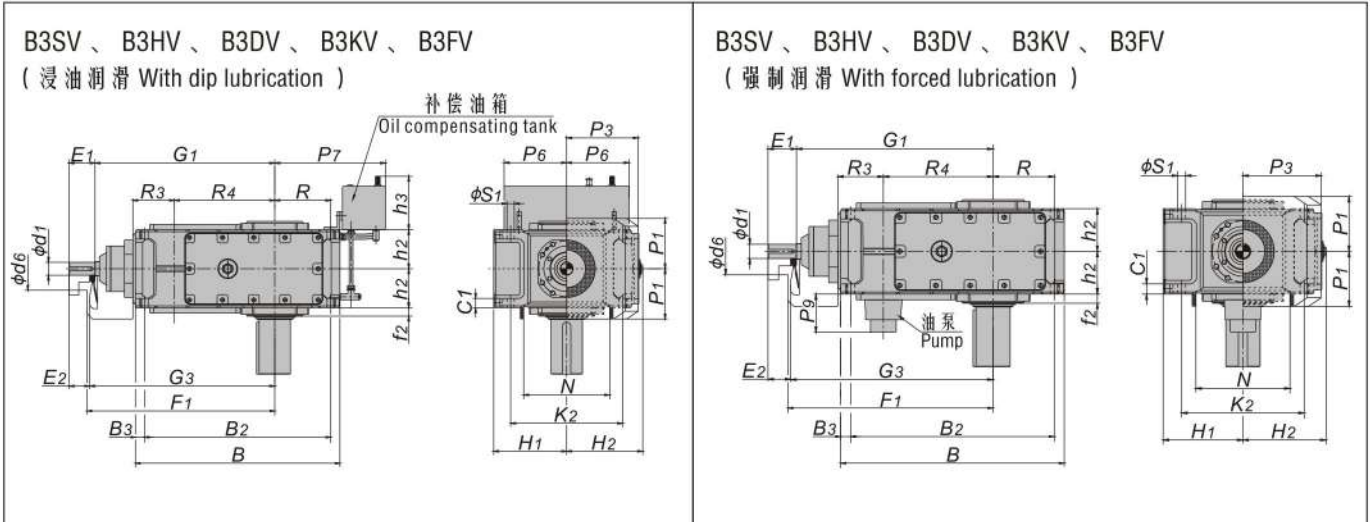


规格 Size	iN = 5 - 11.2		iN = 5.6 - 11.2			iN = 5.6 - 12.5			iN = 6.3 - 14			iN = 7.1 - 12.5			齿轮箱/Gear Units										
	d1	E1	E2	d1	E1	E2	d1	E1	E2	d1	E1	E2	d1	E1	E2	B	B2	B3	C1	C2	F1	f2	G1	G2	G3
13	115m6	205	165													1130	1035	50	61 ± 2	48	1130	38	1070	390	1110
14										115m6	205	165				1270	1175	50	61 ± 2	48	1200	45	1140	390	1180
15	140m6	245	200													1350	1235	60	72 ± 2	55	1340	75	1277	460	1322
16							140m6	245	200							1440	1325	60	72 ± 2	55	1385	75	1323	460	1368
17				150m6	245	200										1490	1360	70	81 ± 2	60	1500	98	1435	540	1480
18													150m6	245	200	1610	1480	70	81 ± 2	60	1560	98	1495	540	1540



规格 Size	齿轮箱/Gear Units															输出轴/Output Shaft									重量 weight (kg)
	G4	G5	H	h2	K2	K3	N	P1	P3	P9	R	R3	R4	S1	nXS2	t	D	D2	D3	D6	d	d2	d6	E	
13	-	480	900	325	680	500	500	375	450	200	360	380	370	48	20X33	14	-	-	-	310H6	200m6	580	245	350	2350
14	535	480	900	325	680	540	500	375	450	200	430	380	440	48	24X33	14	210H7	210H7	210H7	310H6	210m6	620	245	350	2725
15	-	550	980	380	750	630	570	435	495	200	430	450	442	55	28X33	17	-	-	-	360H6	230m6	710	280	410	3795
16	620	550	980	380	750	660	570	435	495	200	475	450	488	55	30X33	17	240H7	240H7	240H7	360H6	240m6	740	280	410	4160
17	-	600	1110	437.5	840	660	630	505	555	200	465	510	490	65	24X39	18	-	-	-	410H6	250m6	750	380	410	5320
18	700	600	1110	437.5	840	710	630	505	555	200	525	510	550	65	26X39	18	275H7	280H7	280H7	410H6	270m6	800	380	470	5860

B3.V4 ~ B3.V12



A、D 布置形式按客户要求供货  
Design A&D on request

见91/HB页 See Page 91/HB

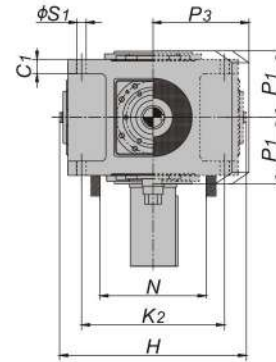
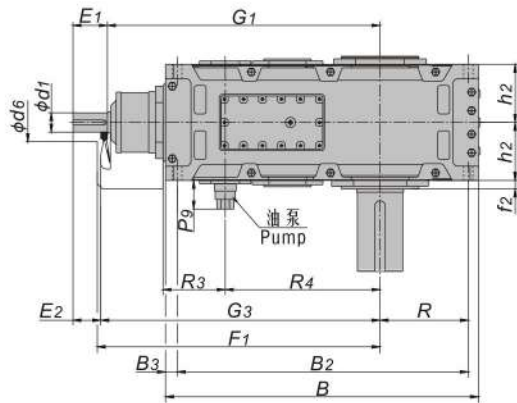
规格 Size	in = 12.5 - 45				in = 16 - 56			in = 50 - 71			in = 63 - 90			齿轮箱/Gear Units													
	d1	E1	E2		d1	E1	E2	d1	E1	E2	d1	E1	E2	B	B2	B3	C1	C2	F1	f2	G1	G2	G3	G4	G5	H1	H2
4	35k6	70	50					30k6	60	40				565	505	30	30 ± 1	-	530	22	500	140	520	205	-	200	215
5	45k6	80	60					35k6	60	40				640	580	30	30 ± 1	25	605	28	575	165	595	240	255	230	252
6				45k6	80	60					35k6	60	40	720	660	30	30 ± 1	25	640	28	610	165	630	240	255	230	252
7	50k6	100	80					40k6	80	60				785	715	35	36 ± 1	30	720	30	690	195	710	280	300	280	292
8				50k6	100	80					40k6	80	60	890	820	35	36 ± 1	30	765	32	735	195	755	285	300	280	302
9	60m6	110	80					50k6	100	70				925	845	40	45 ± 1.5	38	845	32	800	235	830	330	350	320	342
10				60m6	110	80					50k6	100	70	1025	945	40	45 ± 1.5	38	895	32	850	235	880	350	350	320	342
11	75m6	135	105					60m6	110	80				1105	1005	50	54 ± 1.5	42	1010	35	960	270	990	400	400	380	402
12				75m6	135	105					60m6	110	80	1260	1160	50	54 ± 1.5	42	1080	35	1030	270	1060	405	400	380	410

规格 Size	齿轮箱/Gear Units															输出轴/Output Shaft										重量 weight (kg)
	h2	h3	K2	K3	N	P1	P3	P6	P7	P9	R	R3	R4	S1	nXS2	t	D	D2	D3	D6	d	d2	d6	E		
4	107.5	165	300	-	220	143	200	150	320	-	160	110	270	24H9	-	-	80H7	85H7	85H7	-	80m6	-	110	170	210	
5	127.5	205	360	260	270	168	235	240	385	190	175	130	315	24H9	16X22	10	95H7	100H7	100H7	150H6	100m6	300	130	210	325	
6	127.5	205	360	280	270	168	235	240	425	190	220	130	350	24H9	18X22	10	105H7	110H7	110H7	160H6	110m6	320	130	210	380	
7	150	205	430	320	330	193	275	240	425	190	215	160	385	28H9	16X26	10	115H7	120H7	120H7	180H6	120m6	370	165	210	550	
8	150	205	430	340	330	193	275	240	485	190	275	160	430	28H9	18X26	10	125H7	130H7	130H7	190H6	130m6	390	165	250	635	
9	185	275	490	380	370	231	325	330	560	180	260	185	450	36H9	20X26	12	135H7	140H7	140H7	220H6	140m6	430	175	250	890	
10	185	275	490	420	370	231	325	330	610	180	310	185	500	36H9	22X26	12	150H7	150H7	150H7	240H6	160m6	470	175	300	1020	
11	215	275	600	450	440	263	385	330	595	180	295	225	545	40H9	18X33	12	165H7	165H7	165H7	260H6	170m6	510	190	300	1455	
12	215	275	600	480	440	263	385	330	680	180	380	225	615	40H9	22X33	12	180H7	180H7	180H7	280H6	180m6	540	190	300	1730	

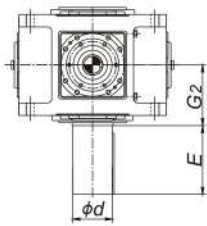


B3.V13 ~ B3.V18

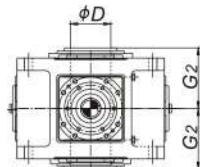
B3SV、B3HV、B3DV、B3KV、B3FV (强制润滑 With forced lubrication)



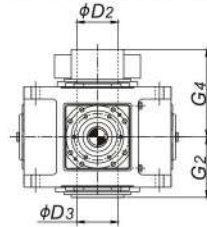
B3SV  
实心轴  
Solid shaft



B3HV  
空心轴  
Hollow shaft

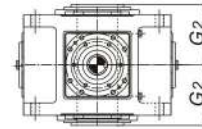


B3DV  
带锁紧盘的空心轴  
Hollow shaft with shrink disk



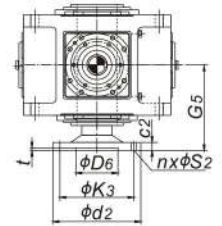
A、D布置形式按客户要求供货  
Design A&D on request

B3KV  
带花键的空心轴  
Hollow shaft with involute spline



见91/HB页 See Page 91/HB

B3FV  
法兰轴  
Flanged shaft

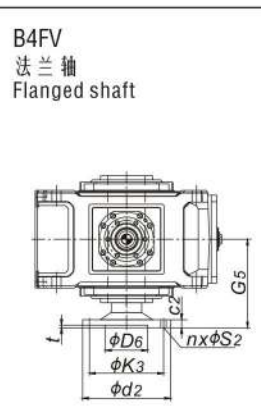
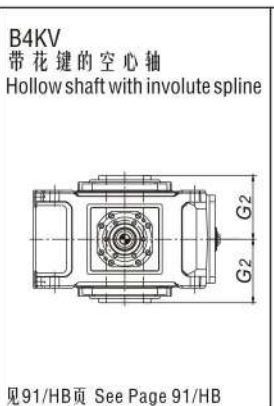
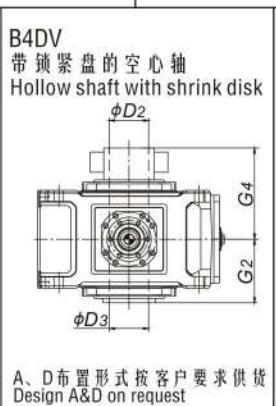
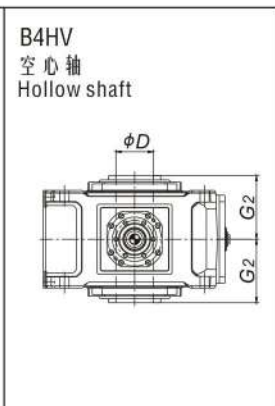
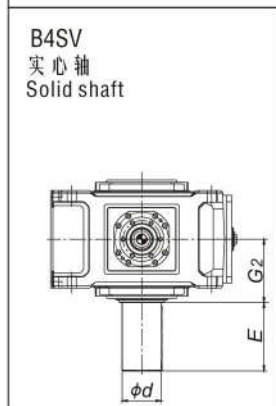
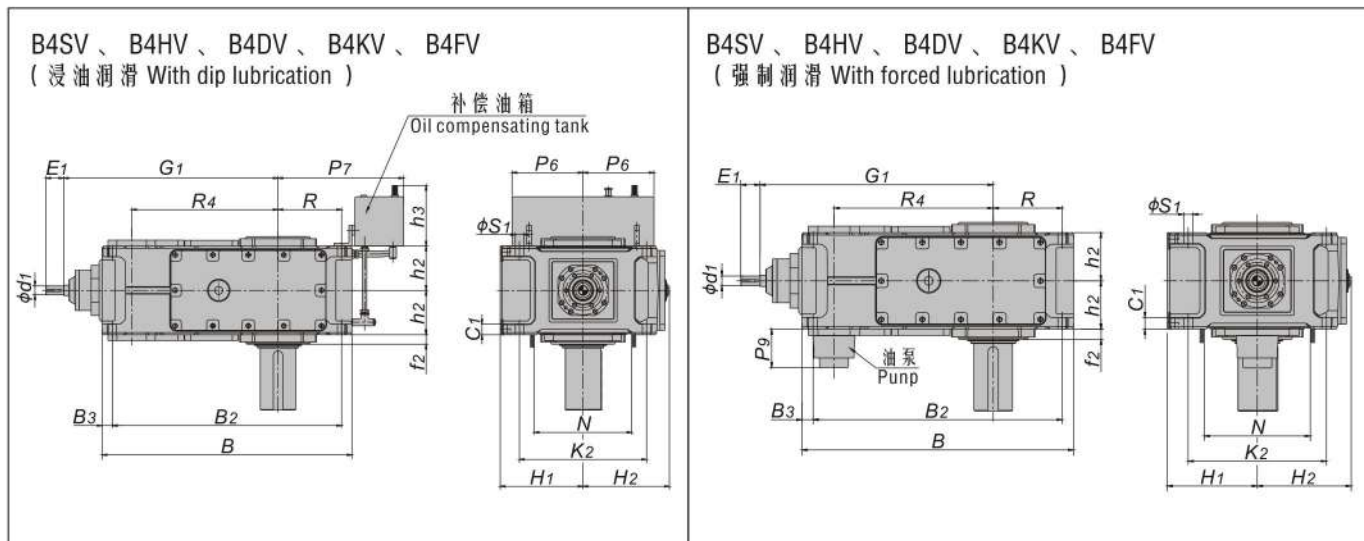


规格 Size	in=12.5 - 45						in=14 - 50			in=16 - 56			in=50 - 71			in=56 - 80			in=63 - 90			齿轮箱/Gear Units								
	d1	E1	E2	d1	E1	E2	d1	E1	E2	d1	E1	E2	d1	E1	E2	d1	E1	E2	d1	E1	E2	B	B2	B3	C1	C2	F1	f2	G1	G2
13	85m6	165	130									70m6	140	105								1290	1195	50	61 ± 2	48	1180	35	1125	335
14							85m6	165	130										70m6	140	105	1430	1335	50	61 ± 2	48	1250	35	1195	335
15	95m6	165	130									75m6	140	105								1550	1435	60	72 ± 2	55	1420	42	1367	380
16				95m6	165	130								75m6	140	105						1640	1525	60	72 ± 2	55	1470	42	1413	380
17	115m6	205	165									90m6	170	130								1740	1610	70	81 ± 2	60	1620	42	1560	415
18				115m6	205	165								90m6	170	130						1860	1730	70	81 ± 2	60	1680	42	1620	415
19-22	敬请垂询 On request																													

HB

规格 Size	齿轮箱/Gear Units															输出轴/Output Shaft										重量 weight (kg)				
	G3	G4	G5	H	h2	K2	K3	N	P1	P3	P9	R	R3	R4	S1	nXS2	t	D	D2	D3	D6	d	d2	d6	E					
13	1160	480	480	900	272.5	680	500	500	325	475	170	360	265	635	48H9	20X33	14	190H7	190H7	190H7	310H6	200m6	580	210	350	2260				
14	1230	480	480	900	272.5	680	540	500	325	475	170	430	265	705	48H9	24X33	14	210H7	210H7	210H7	310H6	210m6	620	210	350	2615				
15	1402	550	550	980	310	750	630	570	365	520	170	430	320	762	55H9	28X33	17	230H7	230H7	230H7	360H6	230m6	710	210	410	3540				
16	1448	550	550	980	310	750	660	570	365	520	170	475	320	808	55H9	30X33	17	240H7	240H7	240H7	360H6	240m6	740	210	410	3765				
17	1600	600	600	1110	340	850	660	630	395	570	170	465	370	860	55H9	24X39	18	250H7	250H7	250H7	410H6	250m6	750	230	410	4760				
18	1660	600	600	1110	340	850	710	630	395	570	170	525	370	920	55H9	26X39	18	275H7	280H7	280H7	410H6	270n6	800	230	470	5240				
19-22	敬请垂询 On request																													

B4.V5 ~ B4.V12

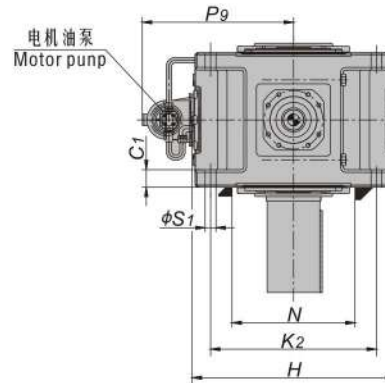
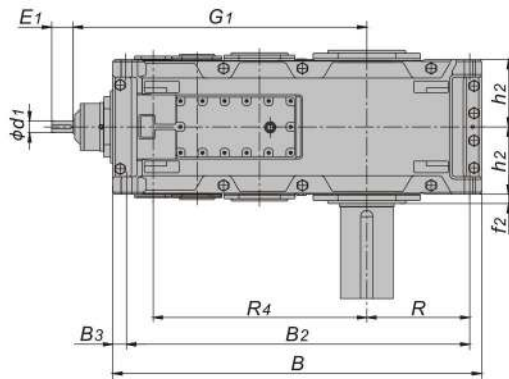


规格 Size	iN=80 - 180				iN=100 - 224				iN=200 - 315				iN=250 - 400				齿轮箱/Gear Units									
	d1	E1	d1	E1	d1	E1	d1	E1	B	B2	B3	C1	C2	f2	G1	G2	G4	G5	H1	H2	h2	h3				
5	35k6	55			25k6	50			690	630	30	30 ± 1	25	28	615	165	240	255	230	252	127.5	205				
6			35k6	55			25k6	50	770	710	30	30 ± 1	25	28	650	165	240	255	230	252	127.5	205				
7	35k6	70			30k6	60			845	775	35	36 ± 1	30	30	725	195	280	300	280	292	150	205				
8			35k6	70			30k6	60	950	880	35	36 ± 1	30	32	770	195	285	300	280	302	150	205				
9	45k6	80			35k6	60			1000	920	40	45 ± 1.5	38	32	840	235	330	350	320	342	185	275				
10			45k6	80			35k6	60	1100	1020	40	45 ± 1.5	38	32	890	235	350	350	320	342	185	275				
11	50k6	100			40k6	80			1200	1100	50	54 ± 1.5	42	35	1010	270	400	400	380	402	215	275				
12			50k6	100			40k6	80	1355	1255	50	54 ± 1.5	42	35	1080	270	405	400	380	410	215	275				

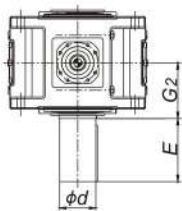
规格 Size	齿轮箱/Gear Units											输出轴/Output Shaft								重量 weight (kg)
	K2	K3	N	P6	P7	P9	R	R4	S1	nXS2	t	D	D2	D3	D6	d	d2	E		
5	360	260	270	240	385	200	175	405	24H9	16X22	10	95H7	100H7	100H7	150H6	100m6	300	210	335	
6	360	280	270	240	425	200	220	440	24H9	18X22	10	105H7	110H7	110H7	160H6	110m6	320	210	385	
7	430	320	330	240	425	120	215	495	28H9	16X26	10	115H7	120H7	120H7	180H6	120m6	370	210	555	
8	430	340	330	240	485	120	275	540	28H9	18X26	10	125H7	130H7	130H7	190H6	130m6	390	250	655	
9	490	380	370	330	560	120	260	580	36H9	20X26	12	135H7	140H7	140H7	220H6	140m6	430	250	890	
10	490	420	370	330	610	120	310	630	36H9	22X26	12	150H7	150H7	150H7	240H6	160m6	470	300	1025	
11	600	450	440	330	595	130	295	705	40H9	18X33	12	165H7	165H7	165H7	260H6	170m6	510	300	1485	
12	600	480	440	330	680	130	380	775	40H9	22X33	12	180H7	180H7	180H7	280H6	180m6	540	300	1750	

B4.V13 ~ B4.V22

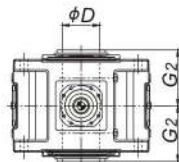
B4SV、B4HV、B4DV、B4KV、B4FV (强制润滑 With forced lubrication)



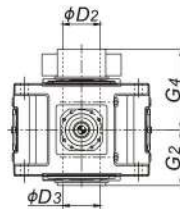
B4SV  
实心轴  
Solid shaft



B4HV  
空心轴  
Hollow shaft

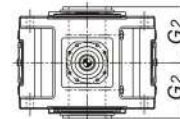


B4DV  
带锁紧盘的空心轴  
Hollow shaft with shrink disk



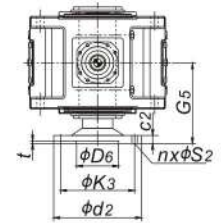
A、D布置形式按客户要求供货  
Design A&D on request

B4KV  
带花键的空心轴  
Hollow shaft with involute spline



见91/HB页 See Page 91/HB

B4FV  
法兰轴  
Flanged shaft



规格 Size	iN=80 - 180		iN=90 - 200		iN=100 - 224		iN=200 - 315		iN=224 - 355		iN=250 - 400		齿轮箱/Gear Units									
	d1	E1	d1	E1	d1	E1	d1	E1	d1	E1	d1	E1	B	B2	B3	C1	c2	f2	G1	G2	G4	G5
13	60m6	110					50k6	100					1395	1300	50	61 ± 2	48	35	1170	335	480	480
14					60m6	110					50k6	100	1535	1440	50	61 ± 2	48	35	1240	335	480	480
15	75m6	135					60m6	110					1680	1565	60	72 ± 2	55	42	1402	380	550	550
16			75m6	135					60m6	110			1770	1655	60	72 ± 2	55	42	1448	380	550	550
17	75m6	135					60m6	110					1770	1640	70	81 ± 2	60	42	1450	415	600	600
18			75m6	135					60m6	110			1890	1760	70	81 ± 2	60	42	1510	415	600	600

19-22

敬请垂询  
On request

规格 Size	齿轮箱/Gear Units											输出轴/Output Shaft								重量 weight (kg)
	H	h2	K2	K3	N	P9	R	R4	S1	nXS2	t	D	D2	D3	D6	d	d2	E		
13	900	272.5	680	500	500	670	360	820	48H9	20X33	14	190H7	190H7	190H7	310H6	200m6	580	350	2280	
14	900	272.5	680	540	500	670	430	890	48H9	24X33	14	210H7	210H7	210H7	310H6	210m6	620	350	2605	
15	980	310	750	630	570	710	430	987	55H9	28X33	17	230H7	230H7	230H7	360H6	230m6	710	410	3435	
16	980	310	750	660	570	710	475	1033	55H9	30X33	17	240H7	240H7	240H7	360H6	240m6	740	410	3765	
17	1110	340	850	660	630	775	465	1035	55H9	24X39	18	250H7	250H7	250H7	410H6	250m6	750	410	4460	
18	1110	340	850	710	630	775	525	1095	55H9	26X39	18	275H7	280H7	280H7	410H6	270n6	800	470	4930	

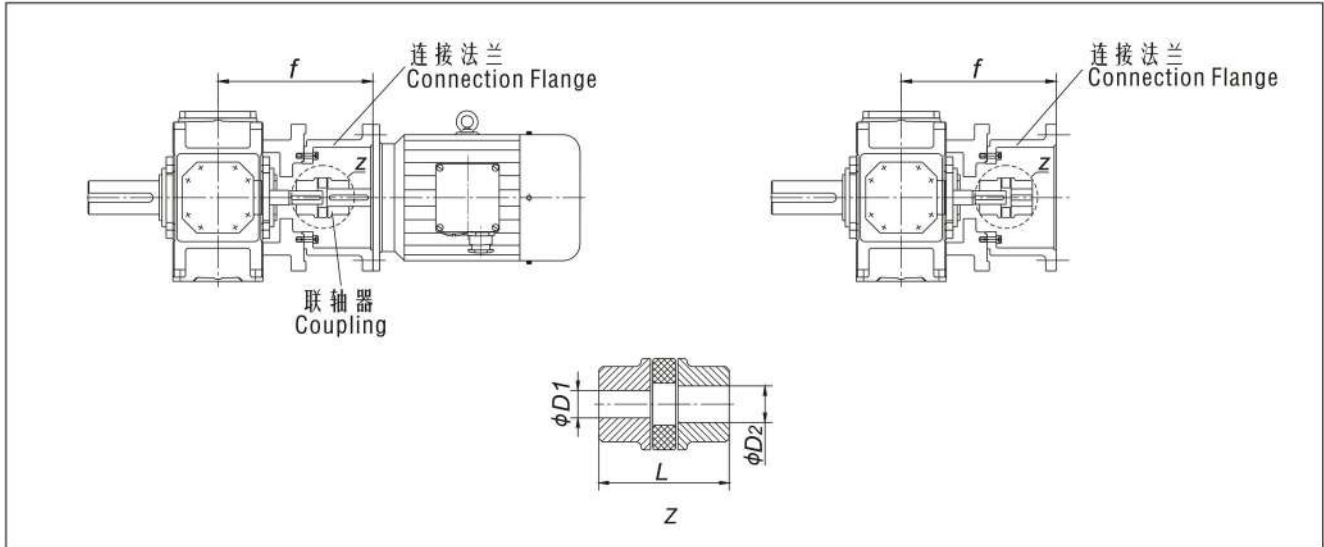
19-22

敬请垂询  
On request



10 法兰输入和带电机输入:  
H2

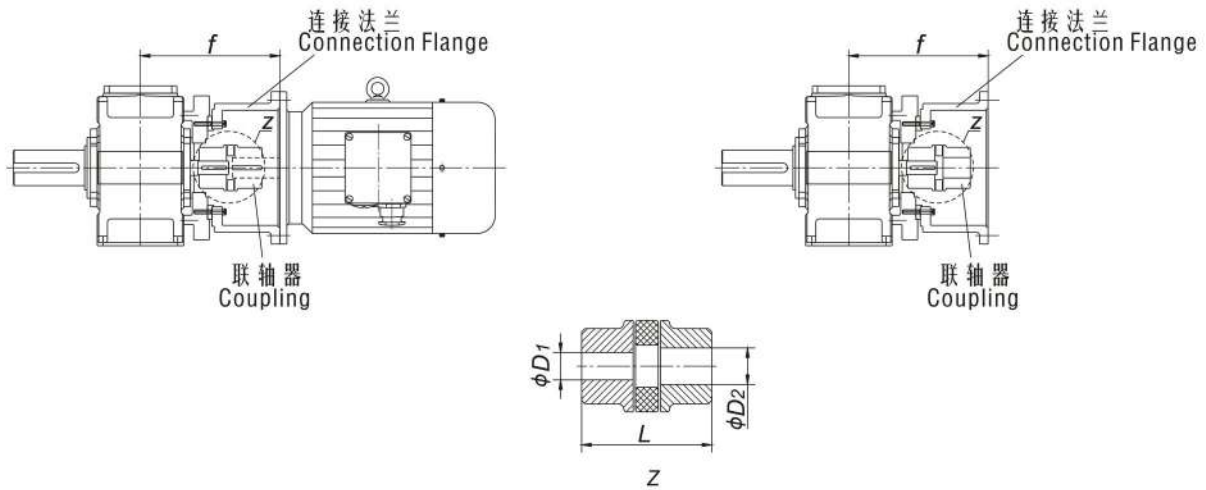
10 Flange input and input with motor::



H2			iN=6.3-11.2 (规格Size: 4、5、7、9、11) iN=8-14 (规格Size: 6、8、10、12)				iN=12.5-22.4 (规格Size: 4、5、7、9、11) iN=16-18 (规格Size: 6、8、10、12)					
规格 Size	Y 电机 Motor	F 法兰 Flange	联轴器 Coupling				f	联轴器 Coupling				f
			型号 Type	D1	D2	L		型号 Type	D1	D2	L	
4	160						GA42	32	42	126	370	
	180						GA48	32	48	140	370	
	200						GA55	32	55	160	376	
	225	GA65	40	60	185	418	GA65	32	60	185	418	
5\6	200						GA55	38	55	160	402	
	225						GA65	38	60	185	443	
	250	GA75	50	65	210	444.5	GA75	38	65	210	444.5	
7\8	225						GA65	50	60	185	496	
	250						GA75	50	65	210	501	
	280						GA75	50	75	210	501	
	315M	GA90	60	80	245	531	GA90	50	80	245	531	
9\10	250						GA75	60	65	210	536	
	280						GA75	60	75	210	536	
	315M	GA90	75	80	245	566	GA90	60	80	245	566	
11\12	250						GA75	70	65	210	576	
	280						GA75	70	75	210	576	
	315M	GA90	90	80	210	606	GA90	70	80	245	606	
13-26	敬请垂询 On request											



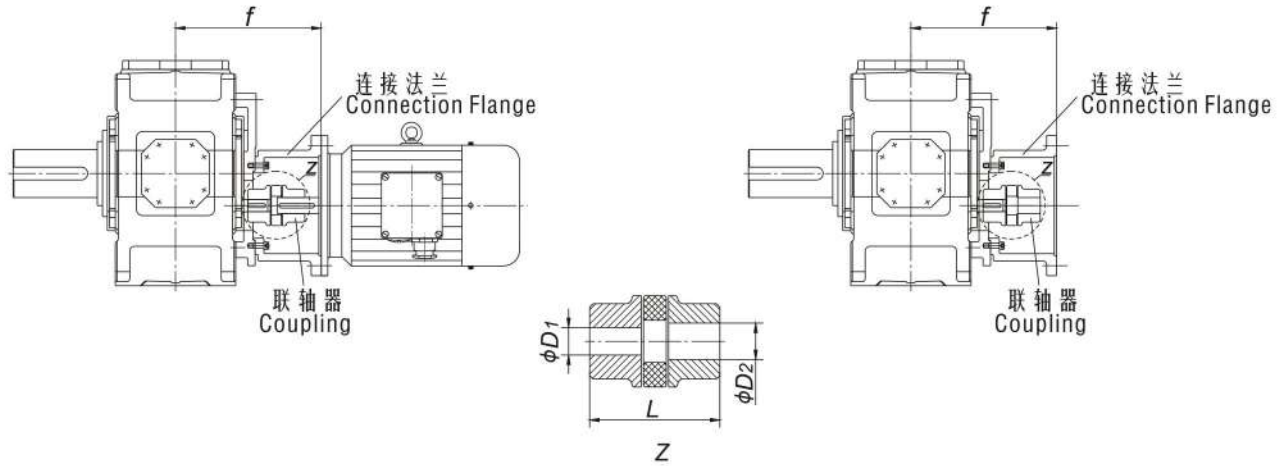
H3



H3		in=25-45 (规格Size: 5、7、9、11) in=31.5-56 (规格Size: 6、8、10、12) in=22.4-45 (规格Size: 13、15、17) in=28-56 (规格Size: 14) in=25-50 (规格Size: 16、18)					in=50-63 (规格Size: 5、7、9、11、13、15、17) in=63-80 (规格Size: 6、8、10、12、14) in=56-71 (规格Size: 16、18)					in=71-90 (规格Size: 5、7、9、11、13、15、17) in=90-112 (规格Size: 6、8、10、12、14) in=80-100 (规格Size: 16、18)				
规格 Size	电机 Motor	联轴器 Coupling				f	联轴器 Coupling				f	联轴器 Coupling				f
		型号 Type	D1	D2	L		型号 Type	D1	D2	L		型号 Type	D1	D2	L	
5\6	132											GA38	24	38	114	325
	160	GA42	40	38	126	393	GA42	30	38	126	353	GA42	24	42	126	353
	180	GA48	40	48	140	393	GA48	30	48	140	353	GA48	24	48	140	353
	200	GA55	40	55	160	386	GA55	30	55	160	377					
	225	GA65	40	60	185	421										
	250	GA75	40	65	210	421										
7\8	160											GA42	28	42	126	420
	180						GA48	35	48	126	420	GA48	28	48	126	420
	200	GA55	45	55	160	440	GA55	35	55	160	420	GA55	28	55	160	420
	225	GA65	45	60	185	460	GA65	35	60	185	445	GA65	28	60	185	445
	250	GA75	45	65	210	465	GA75	35	65	210	465					
	280	GA75	45	75	210	465										
9\10	160											GA42	32	42	126	460
	180											GA48	32	48	126	460
	200											GA55	32	55	160	460
	225	GA65	60	60	185	540	GA65	45	60	185	505	GA65	32	60	185	505
	250	GA75	60	60	210	540	GA75	45	65	210	505	GA75	32	75	210	505
	280	GA75	60	75	210	540	GA75	45	75	210	505					
11\12	315	GA90	60	80	245	570										
	225											GA65	42	60	185	540
	250						GA75	50	65	210	540	GA75	42	60	210	540
	280	GA75	70	75	210	580	GA75	50	75	210	540	GA75	42	75	210	540
13\14	315	GA90	70	80	245	610	GA90	50	80	245	590	GA90	42	80	245	590
	250											GA75	50	60	210	540
	280						GA75	60	75	210	595	GA75	50	75	210	595
	315	GA90	85	80	245	580	GA90	60	80	245	630	GA90	50	80	245	630
15\16	355	GC120	85	95	255	665	GC120	60	95	255	665	GC120	50	95	255	665
	250											GA75	60	60	210	669
	280						GA75	75	75	210	669	GA75	60	75	210	669
	315	GA90	100	80	245	755	GA90	75	80	245	699	GA90	60	80	245	699
17\18	355	GC120	100	95	255	755	GC120	75	95	255	699	GC120	60	95	255	699
	250															
	280															
19-26	315						GA90	75	80	245	714	GA90	60	80	245	714
	355	GC120	100	95	255	798	GC120	75	95	255	746	GC120	60	95	255	746
敬请垂询 On request																



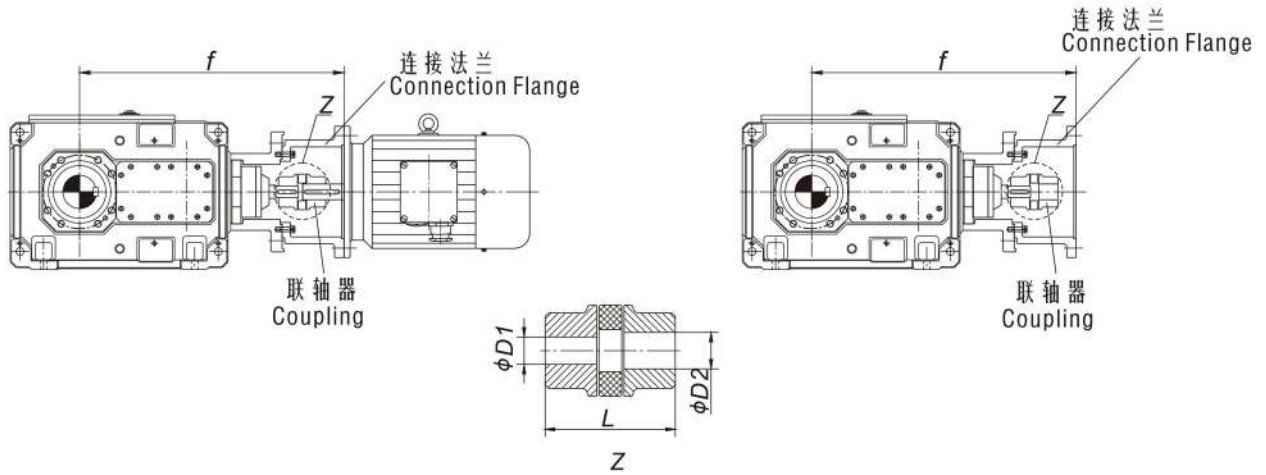
H4



H4		in=100-180 (规格 Size: 7、9、11、13、15、17) in=125-224 (规格 Size: 6、8、10、12、14) in=112-200 (规格 Size: 16、18)					in=200-355 (规格 Size: 5、7、9、11、13、15、17) in=250-450 (规格 Size: 6、8、10、12、14) in=224-400 (规格 Size: 16、18)				
规格 Size	电机 Motor	联轴器 Coupling				f	联轴器 Coupling				f
		型号 Type	D1	D2	L		型号 Type	D1	D2	L	
7\8	100						GA28	24	28	90	293.5
	112						GA28	24	28	90	293.5
	132	GA38	30	38	114	328.5	GA38	24	38	114	328.5
	160	GA42	30	42	126	363.5	GA42	24	42	126	363.5
	180	GA48	30	48	140	363.5	GA48	24	48	140	363.5
9\10	132						GA38	24	38	114	370.5
	160	GA42	35	42	126	405.5	GA42	24	42	126	405.5
	180	GA48	35	48	140	405.5	GA48	24	48	140	405.5
	200	GA55	35	55	160	405.5					
	225	GA65	35	60	185	453.5					
11\12	160						GA42	32	42	126	465.5
	180	GA48	45	48	140	465.5	GA48	32	48	140	465.5
	200	GA55	45	55	160	465.5	GA55	32	55	160	465.5
	225	GA65	45	60	185	500.5	GA65	32	60	185	500.5
	250	GA75	45	65	210	500.5					
13\14	160						GA42	38	42	126	509.5
	180						GA48	38	48	140	509.5
	200	GA55	50	55	160	529.5	GA55	38	55	160	509.5
	225	GA65	50	60	185	579.5	GA65	38	60	185	544.5
	250	GA75	50	65	210	579.5	GA75	38	65	210	544.5
	280	GA75	50	75	210	579.5					
	315	GA90	50	80	245	594.5					
15\16	200						GA55	50	55	160	600
	225	GA65	60	60	185	548.5	GA65	50	60	185	635
	250	GA75	60	65	210	641	GA75	50	65	210	641
	280	GA75	60	75	210	641	GA75	50	75	210	641
	315	GA90	60	80	245	671	GA90	50	80	245	671
17\18	225						GA65	50	60	185	623.5
	250						GA75	50	65	210	628.5
	280	GA75	60	75	210	648.5	GA75	50	75	210	648.5
	315	GA90	60	80	245	711	GA90	50	80	245	678.5
	355	GC120	60	95	255	713					
19-26	敬请垂询 On request										



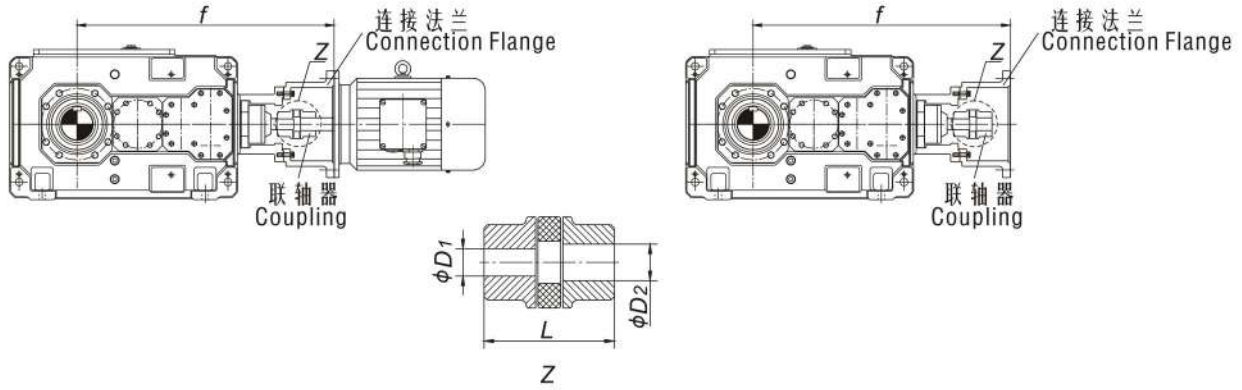
B3



B3		in=12.5-45 (规格Size: 7、9、11、13、15、17) in=16-56 (规格Size: 6、8、10、12、14) in=14-50 (规格Size: 16、18)					in=50-71 (规格Size: 5、7、9、11、13、15、17) in=63-90 (规格Size: 6、8、10、12、14) in=56-80 (规格Size: 16、18)				
规格 Size	电机 Motor	联轴器 Coupling				f	联轴器 Coupling				f
		型号 Type	D1	D2	L		型号 Type	D1	D2	L	
4	132						GA38	30	38	114	646.5
	160	GA42	35	42	126	701.5	GA42	30	42	126	681.5
	180	GA48	35	48	140	701.5	GA48	30	48	140	681.5
	200	GA55	35	55	160	694.5					
5\6	160	GA42	45	42	126	771.5	GA42	35	42	126	771.5
	180	GA48	45	48	140	771.5	GA48	35	48	140	771.5
	200	GA55	45	55	160	784.5	GA55	35	55	160	784.5
	225	GA65	45	60	185	819.5					
7\8	160						GA42	40	42	126	903.5
	180						GA48	40	48	140	903.5
	200	GA55	50	55	160	923.5	GA55	40	55	160	903.5
	225	GA65	50	60	185	951.5	GA65	40	60	185	938.5
	250	GA75	50	65	210	958.5	GA75	40	65	210	938.5
	280	GA75	50	75	210	958.5					
9\10	200						GA55	50	55	160	1041
	225	GA65	60	60	185	1076	GA65	50	60	185	1076
	250	GA75	60	65	210	1076	GA75	50	65	210	1076
	280	GA75	60	75	210	1076	GA75	50	75	210	1076
11\12	225						GA65	60	60	185	1238.5
	250	GA75	75	65	210	1263.5	GA75	60	65	210	1243.5
	280	GA75	75	75	210	1263.5	GA75	60	75	210	1243.5
	315	GA90	75	80	245	1308.5	GA90	60	80	245	1273.5
13\14	250						GA75	70	65	210	1424
	280						GA75	70	75	210	1424
	315	GA90	85	80	245	1511	GA90	70	80	245	1461
	355	GC120	85	95	255	1492	GC120	70	95	255	1492
15\16	315	GA90	95	80	245	1750	GA90	75	80	245	1700
	355	GC120	95	95	255	1732	GC120	75	95	255	1732
17\18	315						GA90	90	80	245	1945
	355	GC120	115	95	255	1999	GC120	90	95	255	1947
19-26	敬请垂询 On request										



B4



B4		in=80-180 (规格Size:7、9、11、13、15、17) in=100-224 (规格Size:6、8、10、12、14) in=90-200 (规格Size:16、18)					in=200-315 (规格Size:5、7、9、11、13、15、17) in=250-400 (规格Size:6、8、10、12、14) in=224-355 (规格Size:16、18)				
规格 Size	电机 Motor	联轴器 Coupling				f	联轴器 Coupling				f
		型号 Type	D1	D2	L		型号 Type	D1	D2	L	
5\6	100						GA28	25	28	90	732.5
	112					748.5	GA28	25	28	90	732.5
	132	GA38	35	38	114	767.5	GA38	25	38	114	767.5
	160	GA42	35	42	126	802.5					
7\8	112						GA28	30	28	90	852.5
	132	GA38	35	38	114	887.5	GA38	30	38	114	871.5
	160	GA42	35	42	126	962.5	GA42	30	42	126	906.5
	180	GA48	35	48	140	926.5	GA48	30	48	140	
	200	GA55	35	55	160	919.5					
9\10	132						GA38	35	38	114	1001.5
	160	GA42	45	42	126	1036.5	GA42	35	42	126	1036.5
	180	GA48	45	48	140	1036.5	GA48	35	48	140	1036.5
	200	GA55	45	55	160	1049.5					
	225	GA65	45	60	185	1084.5					
11\12	160						GA42	40	42	126	1223.5
	180	GA48	50	48	140	1249.5	GA48	40	48	140	1223.5
	200	GA55	50	55	160	1229.5	GA55	40	55	160	1229.5
	225	GA65	50	60	185	1270.5	GA65	40	60	185	1270.5
	250	GA75	50	65	210	1272					
	280	GA75	50	75	210	1272					
13\14	180						GA48	50	48	140	1398.5
	200	GA55	60	55	160	1404.5	GA55	50	55	160	1404.5
	225	GA65	60	60	185	1445.5	GA65	50	60	185	1445.5
	250	GA75	60	65	210	1447	GA75	50	65	210	1447
	280	GA75	60	75	210	1447	GA75	50	75	210	1447
	315	GA90	60	80	245	1483					
15\16	200						GA55	60	55	160	1659.5
	225	GA65	75	60	185	1700	GA65	60	60	185	1685.5
	250	GA75	75	65	210	1702	GA75	60	65	210	1671
	280	GA75	75	75	210	1702	GA75	60	75	210	1671
	315	GA90	75	80	245	1738	GA90	60	80	245	1708
	355	GC120	75	95	255	1740					
17\18	225						GA65	60	60	185	1733.5
	250						GA75	60	65	210	1733.5
	280	GA75	75	75	210	1769	GA75	60	75	210	1718.5
	315	GA90	75	80	245	1806	GA90	60	80	245	1756
	355	GC120	75	95	255	1788					
19-26	敬请垂询 On request										

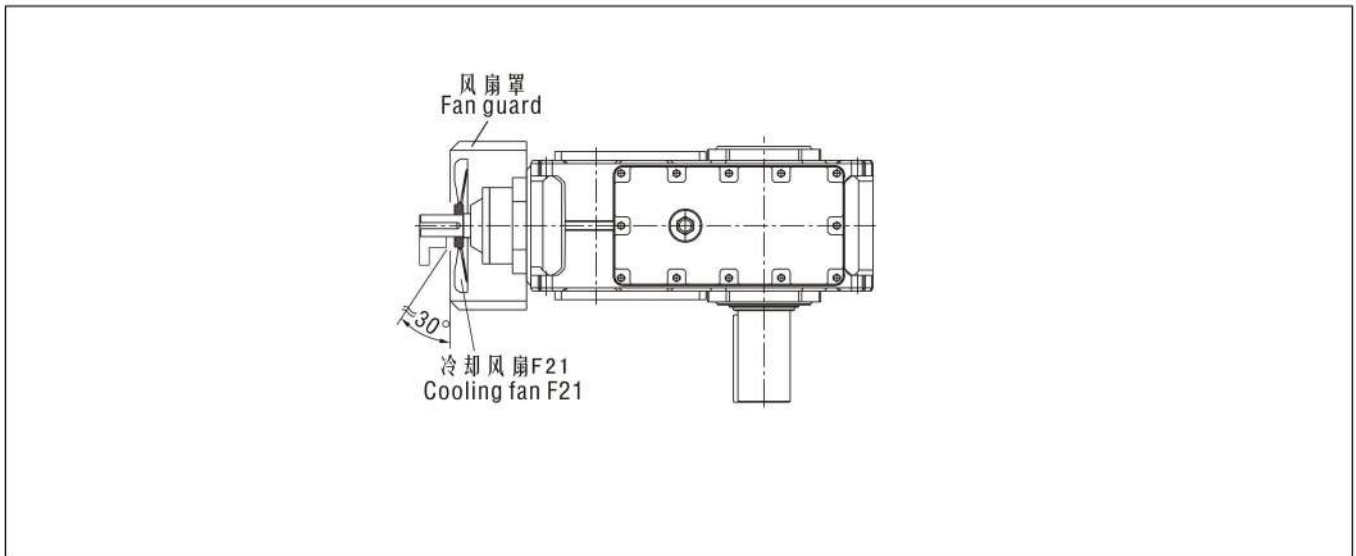


11 附件:

11.1 冷却风扇(附件代号F21):

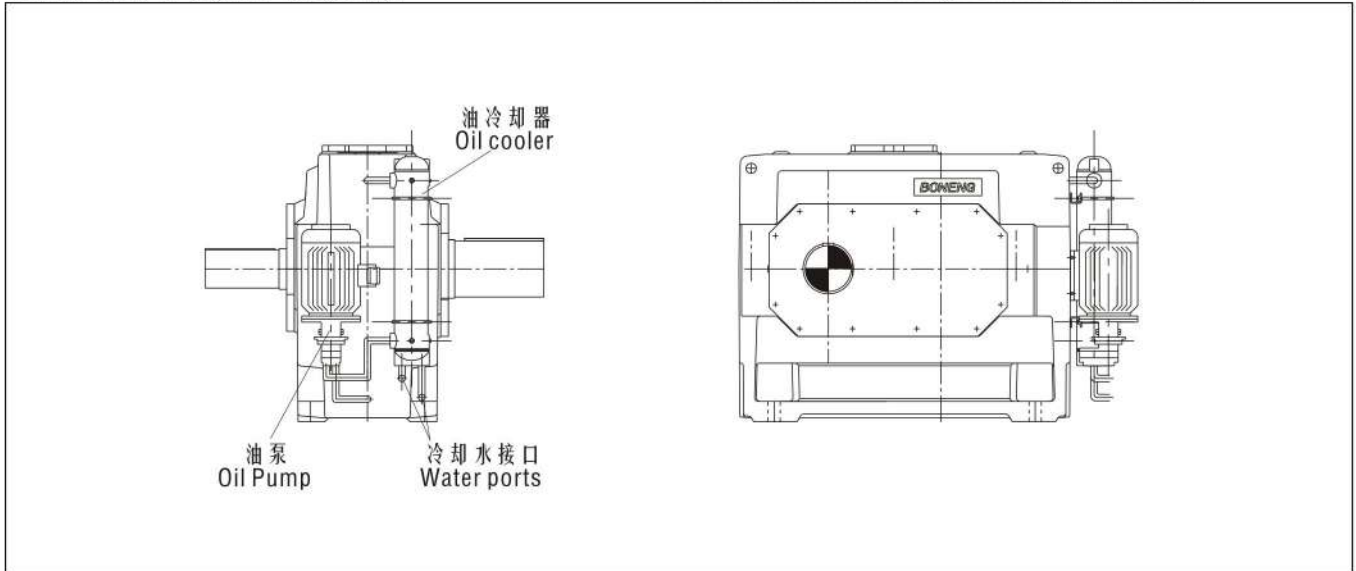
11 Accessories:

11.1 Cooling fan (Accessory code F21)



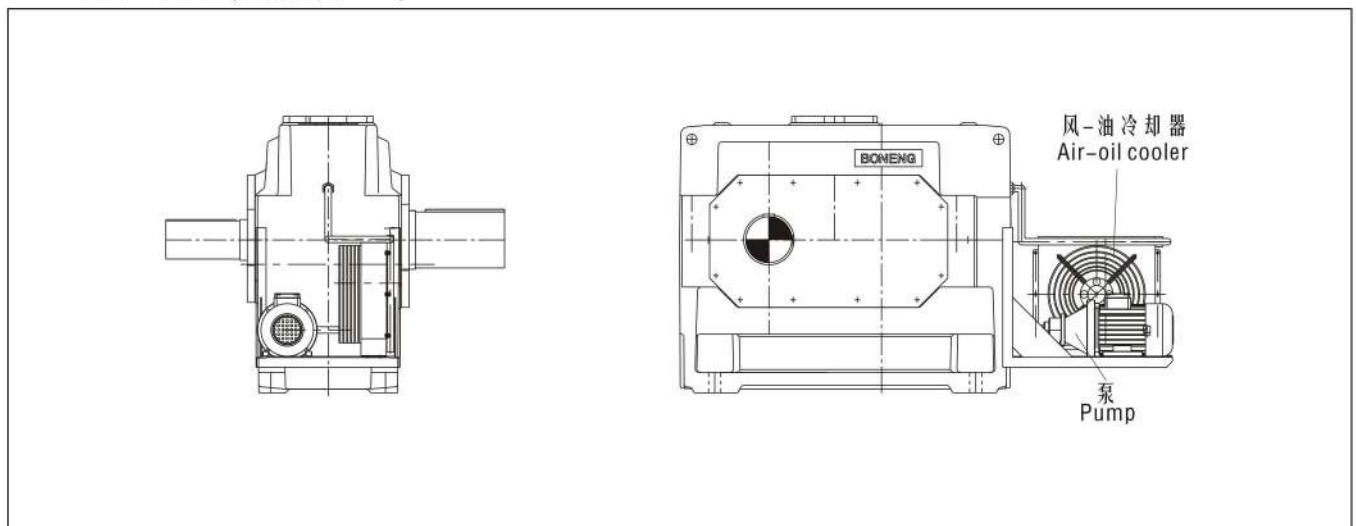
11.2 水-油冷却器(附件代号C22):

11.2 Water-oil cooler (Accessory code C22)



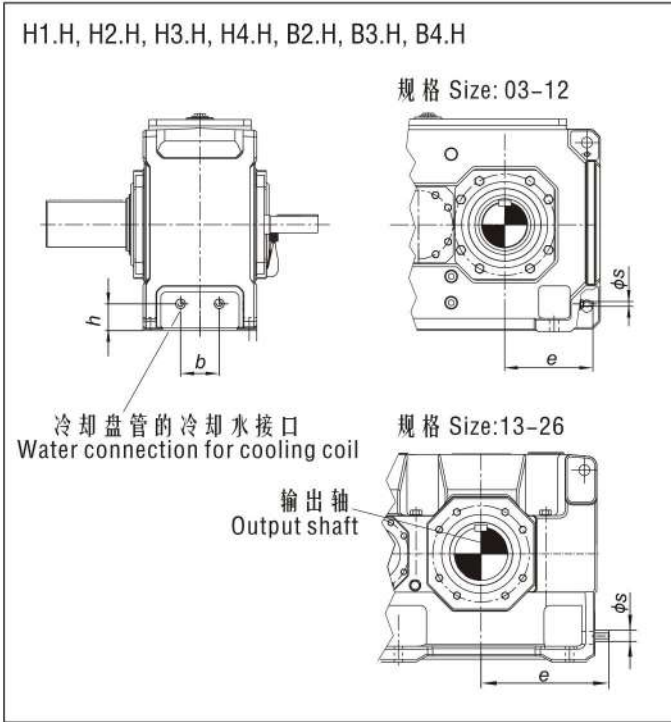
11.3 风-油冷却器(附件代号C23):

11.3 Air-oil cooler (Accessory code C23)



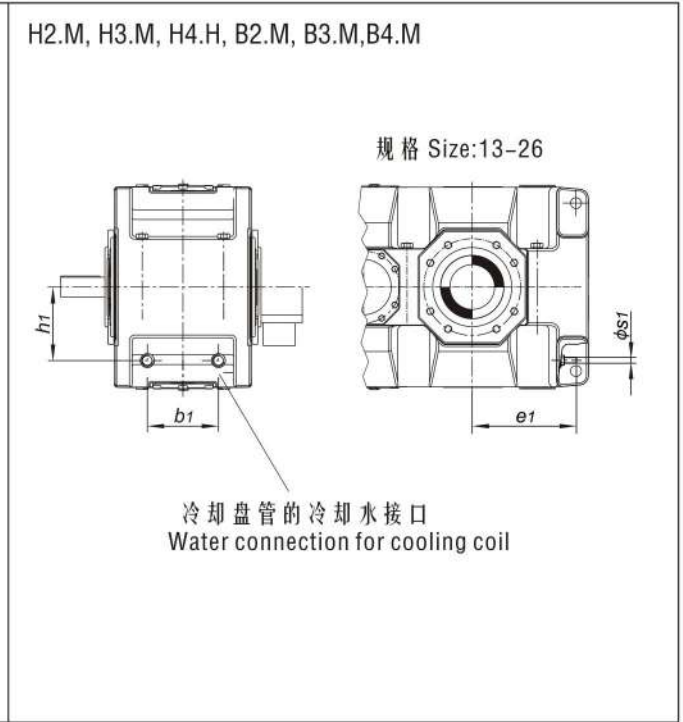
11.4 齿轮箱内置冷却盘管(附件代号C21):

1) 卧式安装:



11.4 In-built cooling coil (Accessory code C21):

1) Horizontal:



规格 Size	H1.H					H2.H / B3.H					H3.H					B2.H					B4.H/H4.H				
	b	e	h	s	水量 Water quantity (l)	b	e	h	s	水量 Water quantity (l)	b	e	h	s	水量 Water quantity (l)	b	e	h	s	水量 Water quantity (l)	b	e	h	s	水量 Water quantity (l)
3	60	195	40	G1/2	4	80	140	40	G1/2	-	-	-	-	-	-	-	-	-	-	-	-	-	-	-	-
4	-	-	-	-	-	90	170	60	G1/2	4	-	-	-	-	-	120	170	60	G1/2	4	-	-	-	-	-
5	100	260	70	G1/2	4	100	185	64	G1/2	4	100	185	64	G1/2	4	130	182	60	G1/2	8	100	185	64	G1/2	4
6	-	-	-	-	-	100	230	64	G1/2	4	100	230	64	G1/2	4	120	230	60	G1/2	4	100	230	64	G1/2	4
7	100	300	80	G1/2	4	100	215	90	G1/2	4	100	215	90	G1/2	4	140	215	80	G1/2	8	100	215	90	G1/2	4
8	-	-	-	-	-	100	275	90	G1/2	4	100	275	90	G1/2	4	140	275	80	G1/2	4	100	275	90	G1/2	4
9	130	345	80	G1/2	8	130	250	80	G1/2	8	130	250	80	G1/2	4	160	255	80	G1/2	8	130	255	80	G1/2	4
10	-	-	-	-	-	130	300	80	G1/2	8	130	300	80	G1/2	4	160	305	80	G1/2	8	130	305	80	G1/2	4
11	140	405	90	G1/2	8	140	285	90	G1/2	8	140	285	90	G1/2	8	140	285	90	G1/2	8	140	285	90	G1/2	8
12	-	-	-	-	-	140	370	90	G1/2	8	140	370	90	G1/2	8	140	370	90	G1/2	8	140	370	90	G1/2	8
13	160	460	120	G1/2	8	150	435	120	G1/2	8	150	435	120	G1/2	8	150	435	120	G1/2	8	150	435	120	G1/2	8
14	-	-	-	-	-	150	505	120	G1/2	8	150	505	120	G1/2	8	150	505	120	G1/2	8	150	505	120	G1/2	8
15	160	535	120	G1/2	8	200	515	100	G1/2	8	200	515	100	G1/2	8	200	515	100	G1/2	8	200	515	100	G1/2	8
16	-	-	-	-	-	200	560	100	G1/2	8	200	560	100	G1/2	8	200	560	100	G1/2	8	200	560	100	G1/2	8
17	160	575	120	G1/2	8	240	555	115	G1/2	8	160	555	120	G1/2	8	400	555	130	G1/2	8	240	555	105	G1/2	8
18	-	-	-	-	-	240	615	115	G1/2	8	160	615	120	G1/2	8	380	615	135	G1/2	8	240	615	105	G1/2	8
19	敬请垂询 On request					敬请垂询 On request					敬请垂询 On request					敬请垂询 On request					敬请垂询 On request				
20-26	-					-					-					-					-				

规格 Size	H2.M / B3.M					H3.M					B2.M					H3.M				
	b1	e1	h1	s1	水量 Water quantity (l)	b1	e1	h1	s1	水量 Water quantity (l)	b1	e1	h1	s1	水量 Water quantity (l)	b1	e1	h1	s1	水量 Water quantity (l)
13	252	332	300	G1/2	8	252	332	300	G1/2	8	324	333	300	G1/2	8	260	330	300	G1/2	8
14	252	403	300	G1/2	8	252	402	300	G1/2	8	324	403	300	G1/2	8	200	400	300	G1/2	8
15	360	387	330	G1/2	8	290	394	335	G1/2	8	396	390	345	G1/2	8	360	395	330	G1/2	8
16	360	440	330	G1/2	8	290	438	335	G1/2	8	396	435	345	G1/2	8	360	440	330	G1/2	8
17	340	416	380	G1/2	8	340	415	380	G1/2	8	324	430	395	G1/2	8	300	435	350	G1/2	8
18	340	479	380	G1/2	8	340	475	380	G1/2	8	324	473	395	G1/2	8	300	495	350	G1/2	8
19-26	敬请垂询 On request					敬请垂询 On request					敬请垂询 On request					敬请垂询 On request				

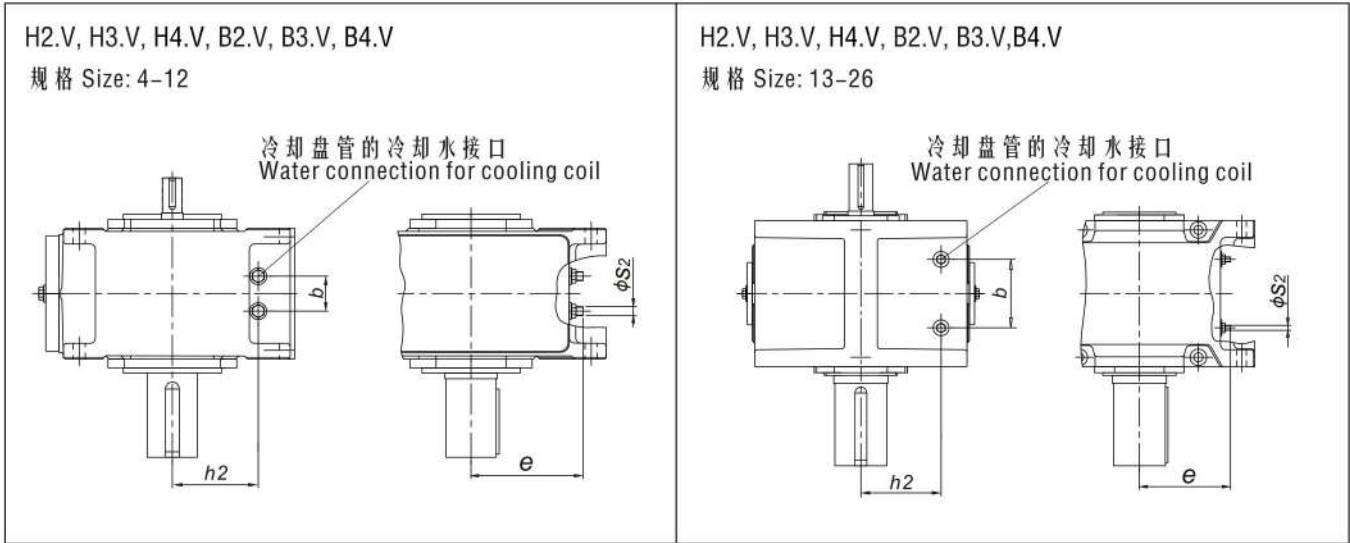
注: 冷却盘管适用于淡水、海水和半咸水。

Note: Cooling coil is suitable for fresh, sea and brackish water.



2) 立式安装:

2) Vertical:



规格 Size	H2.V \ B3.V					H3.V					B2.V					B4.V/H4.V				
	b	e	h2	S2	水量 Water quantity (l)	b	e	h2	S2	水量 Water quantity (l)	b	e	h2	S2	水量 Water quantity (l)	b	e	h2	S2	水量 Water quantity (l)
4	90	170	140	G1/2	4	-	-	-	-	-	120	170	140	G1/2	4	-	-	-	-	-
5	100	185	166	G1/2	4	100	185	166	G1/2	4	130	182	170	G1/2	8	100	185	166	G1/2	4
6	100	230	166	G1/2	4	100	230	166	G1/2	4	120	230	170	G1/2	4	100	200	166	G1/2	4
7	100	215	190	G1/2	4	100	215	190	G1/2	4	140	215	200	G1/2	8	100	185	190	G1/2	4
8	100	275	190	G1/2	4	100	275	190	G1/2	4	140	275	200	G1/2	4	100	245	190	G1/2	4
9	130	250	240	G1/2	8	130	250	240	G1/2	4	160	255	240	G1/2	8	130	225	240	G1/2	4
10	130	300	240	G1/2	8	130	300	240	G1/2	4	160	305	240	G1/2	8	130	275	240	G1/2	4
11	140	285	290	G1/2	8	140	285	290	G1/2	8	140	285	290	G1/2	8	140	255	290	G1/2	8
12	140	370	290	G1/2	8	140	370	290	G1/2	8	140	370	290	G1/2	8	140	340	290	G1/2	8
13	252	332	300	G1/2	8	260	330	300	G1/2	8	324	333	300	G1/2	8	252	302	300	G1/2	8
14	252	403	300	G1/2	8	200	400	300	G1/2	8	324	403	300	G1/2	8	252	372	300	G1/2	8
15	360	387	330	G1/2	8	360	395	330	G1/2	8	396	390	345	G1/2	8	290	364	335	G1/2	8
16	360	440	330	G1/2	8	360	440	330	G1/2	8	396	435	345	G1/2	8	290	408	335	G1/2	8
17	340	416	380	G1/2	8	300	435	350	G1/2	8	324	430	395	G1/2	8	340	385	380	G1/2	8
18	340	479	380	G1/2	8	300	495	350	G1/2	8	324	473	395	G1/2	8	340	445	380	G1/2	8
19-26	敬请垂询 On request					敬请垂询 On request					敬请垂询 On request					敬请垂询 On request				

类别 Type	规格 Size	冷却盘管适用于Cooling coil for		
		浸油润滑 Dip lubrication	法兰泵强制润滑 Forced lubrication with flanged-on pump	电机油泵强制润滑 Forced lubrication with motor pump
		适用布置形式 For design	适用布置形式 For design	适用布置形式 For design
H2.V	4	A+B+C+D+E+F+G+H+I	-	敬请垂询 On request
	5 - 12	A+B+C+D+E+F+G+H+I	B+D+F	
	13 - 18	-	B+D+F	
H3.V	5 - 12	A+B+C+D+E+F+G+H+I	B+D+F	
	13 - 18	-	B+D+F	
B2.V	4	A+B+C+D+E+F	-	
	5 - 12	A+B+C+D+E+F	A+B+E	
	13 - 18	-	A+B+E	
B3.V	4	A+B+C+D+E+F	-	
	5 - 12	A+B+C+D+E+F	C+D+F	
	13 - 18	-	C+D+F	

注：冷却盘管适用于淡水、海水和半咸水。

Note: Cooling coil is suitable for fresh, sea and brackish water.





11.5 补偿油箱与轴端泵:

11.5 Oil compensating tank and shaft end pump:

		输入转速限制 Input speed limit	
类型 Type	规格 Size	S33	S31
		n1<	n1>
H2.V	4-12	1500	900
	13-22	-	1000
H3.V	4-12	1500	1200
	13-22	-	1200
H4.V	7-12	1800	1200
B2.V	4-12	1500	1200
	13-18	-	1200
B3.V	4-12	1500	1200
	13-22	-	1200
B4.V	5-12	1800	1200

11.6 稀油站:

11.6 Oil station:

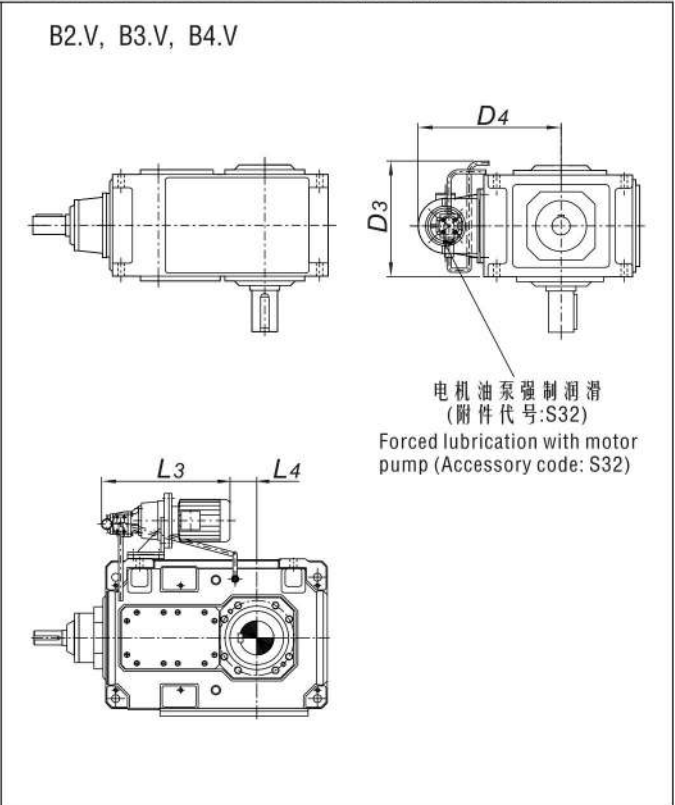
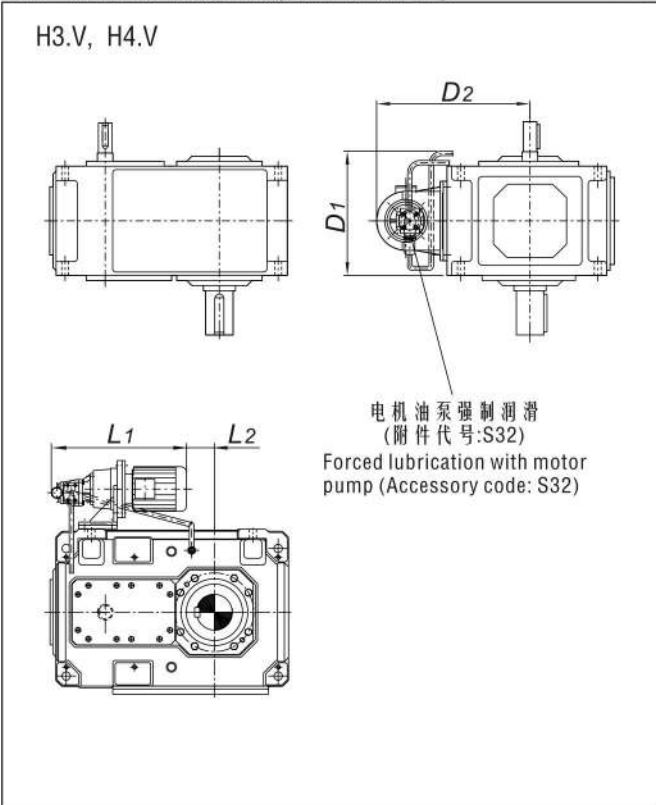
1. 配稀油站(敬请垂询)  
2. 配管路客户自配稀油站(敬请垂询)

1. With oil station(please consult)  
2. With duct. Oil station is supplied by the users.(please consult).

HB

11.7 电机油泵强制润滑(附件代号:S32):

11.7 Forced lubrication with motor pump(Accessory code: S32)



安装尺寸 Fitting dimensions

安装尺寸 Fitting dimensions

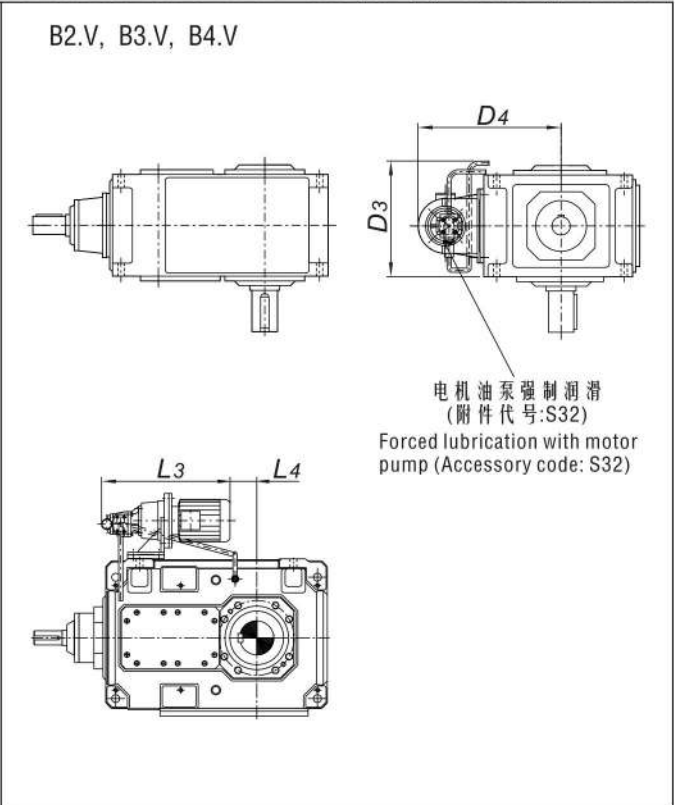
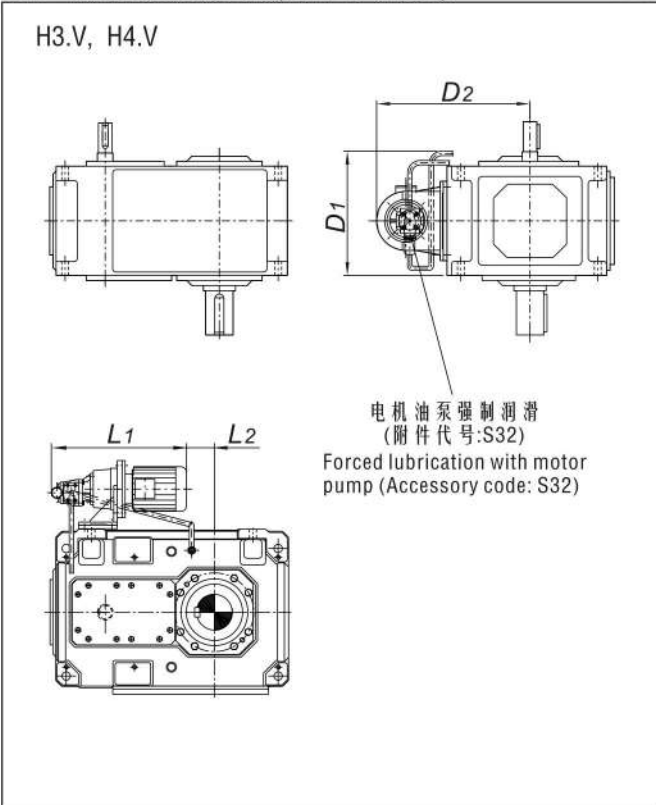
Type	规格 Size	布置形式 Design	L2	L1	D2	D1
H3.V	5 / 6	A + B + C + D	-30 / 5	560	480	385
	7 / 8	A + B + C + D	55 / 100	585	550	430
	9 / 10	A + B + C + D	140 / 190	610	565	500
	11 / 12	A + B + C + D	375 / 445	530	625	560
	13 / 14	A + C	155 / 225	880	670	700
	13 / 14	B + D	100 / 170	935	670	700
	15 / 16	A + C	275 / 320	965	710	770
	15 / 16	B + D	220 / 265	1020	710	770
	17 / 18	A + C	250 / 310	1040	770	835
H4.V	7 / 8	A + C	55 / 100	600	550	430
	7 / 8	B + D	0 / 45	680	550	430
	9 / 10	A + C	140 / 190	625	565	500
	9 / 10	B + D	85 / 135	705	565	500
	11 / 12	A + C	375 / 445	550	625	560
	11 / 12	B + D	320 / 390	635	625	560
	13 / 14	A + B + C + D	135 / 205	910	670	700
	15 / 16	A + B + C + D	255 / 300	1000	710	775
	17 / 18	A + B + C + D	230 / 290	1070	775	835

Type	规格 Size	布置形式 Design	L4	L3	D4	D3
B2.V	5 / 6	A + B + C + D	-160 / -125	480	470	415
	7 / 8	A + B + C + D	5 / 50	480	525	510
	9 / 10	A + B + C + D	60 / 110	480	565	570
	11 / 12	A + B + C + D	150 / 220	480	625	660
	13 / 14	A + B + C + D	-70 / 0	755	670	805
	15 / 16	A + B + C + D	15 / 60	780	710	910
	17 / 18	A + B + C + D	-5 / 55	890	775	1025
	B3.V	5 / 6	A + B + C + D	-85 / -50	480	480
7 / 8		A + B + C + D	-5 / 40	480	550	430
9 / 10		A + B + C + D	65 / 115	480	565	500
11 / 12		A + B + C + D	280 / 350	480	625	560
13 / 14		A + B + C + D	35 / 105	810	670	700
15 / 16		A + B + C + D	120 / 165	875	710	775
B4.V	17 / 18	A + B + C + D	165 / 225	970	775	835
	5 / 6	A + B + C + D	-35 / 0	480	480	385
	7 / 8	A + B + C + D	55 / 100	480	550	430
	9 / 10	A + B + C + D	140 / 190	615	565	500
	11 / 12	A + B + C + D	375 / 445	530	625	560
	13 / 14	A + B + C + D	135 / 205	905	670	700
	15 / 16	A + B + C + D	255 / 300	990	710	775
	17 / 18	A + B + C + D	230 / 290	1065	775	835



11.7 电机油泵强制润滑(附件代号:S32):

11.7 Forced lubrication with motor pump(Accessory code: S32)



安装尺寸 Fitting dimensions

Type	规格 Size	布置形式 Design	L2	L1	D2	D1
H3.V	5 / 6	A + B + C + D	-30 / 5	560	480	385
	7 / 8	A + B + C + D	55 / 100	585	550	430
	9 / 10	A + B + C + D	140 / 190	610	565	500
	11 / 12	A + B + C + D	375 / 445	530	625	560
	13 / 14	A + C	155 / 225	880	670	700
	13 / 14	B + D	100 / 170	935	670	700
	15 / 16	A + C	275 / 320	965	710	770
	15 / 16	B + D	220 / 265	1020	710	770
	17 / 18	A + C	250 / 310	1040	770	835
H4.V	7 / 8	A + C	55 / 100	600	550	430
	7 / 8	B + D	0 / 45	680	550	430
	9 / 10	A + C	140 / 190	625	565	500
	9 / 10	B + D	85 / 135	705	565	500
	11 / 12	A + C	375 / 445	550	625	560
	11 / 12	B + D	320 / 390	635	625	560
	13 / 14	A + B + C + D	135 / 205	910	670	700
	15 / 16	A + B + C + D	255 / 300	1000	710	775
	17 / 18	A + B + C + D	230 / 290	1070	775	835

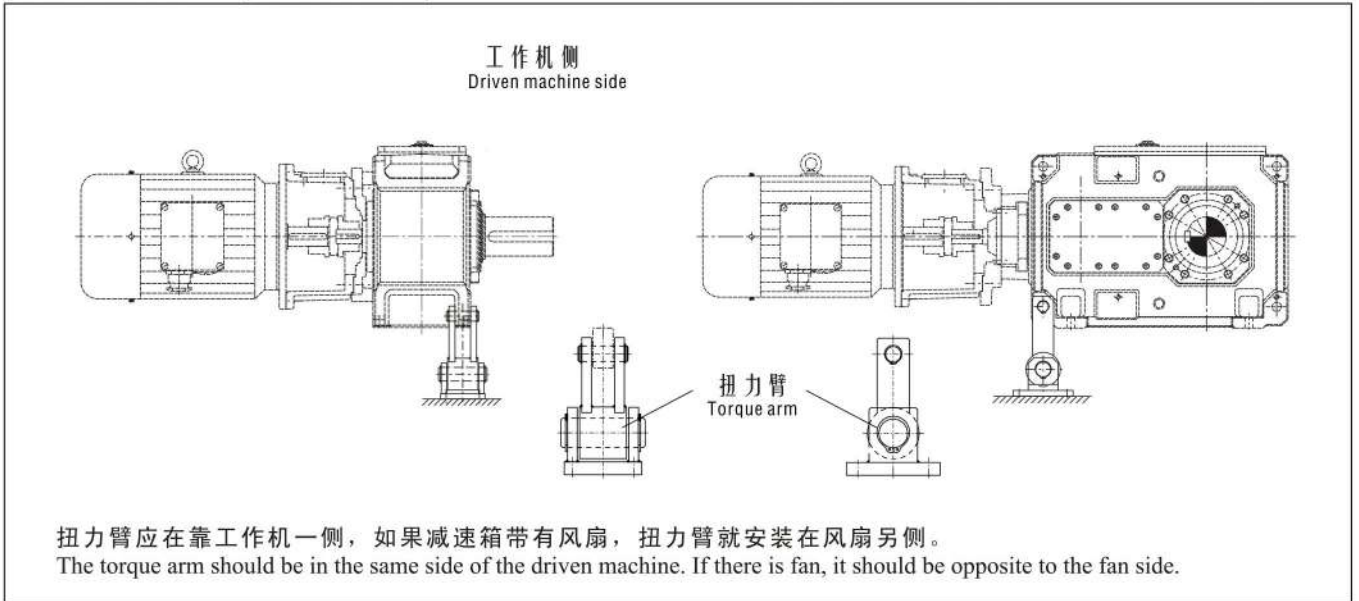
安装尺寸 Fitting dimensions

Type	规格 Size	布置形式 Design	L4	L3	D4	D3
B2.V	5 / 6	A + B + C + D	-160 / -125	480	470	415
	7 / 8	A + B + C + D	5 / 50	480	525	510
	9 / 10	A + B + C + D	60 / 110	480	565	570
	11 / 12	A + B + C + D	150 / 220	480	625	660
	13 / 14	A + B + C + D	-70 / 0	755	670	805
	15 / 16	A + B + C + D	15 / 60	780	710	910
	17 / 18	A + B + C + D	-5 / 55	890	775	1025
	B3.V	5 / 6	A + B + C + D	-85 / -50	480	480
7 / 8		A + B + C + D	-5 / 40	480	550	430
9 / 10		A + B + C + D	65 / 115	480	565	500
11 / 12		A + B + C + D	280 / 350	480	625	560
13 / 14		A + B + C + D	35 / 105	810	670	700
15 / 16		A + B + C + D	120 / 165	875	710	775
B4.V	17 / 18	A + B + C + D	165 / 225	970	775	835
	5 / 6	A + B + C + D	-35 / 0	480	480	385
	7 / 8	A + B + C + D	55 / 100	480	550	430
	9 / 10	A + B + C + D	140 / 190	615	565	500
	11 / 12	A + B + C + D	375 / 445	530	625	560
	13 / 14	A + B + C + D	135 / 205	905	670	700
	15 / 16	A + B + C + D	255 / 300	990	710	775
	17 / 18	A + B + C + D	230 / 290	1065	775	835



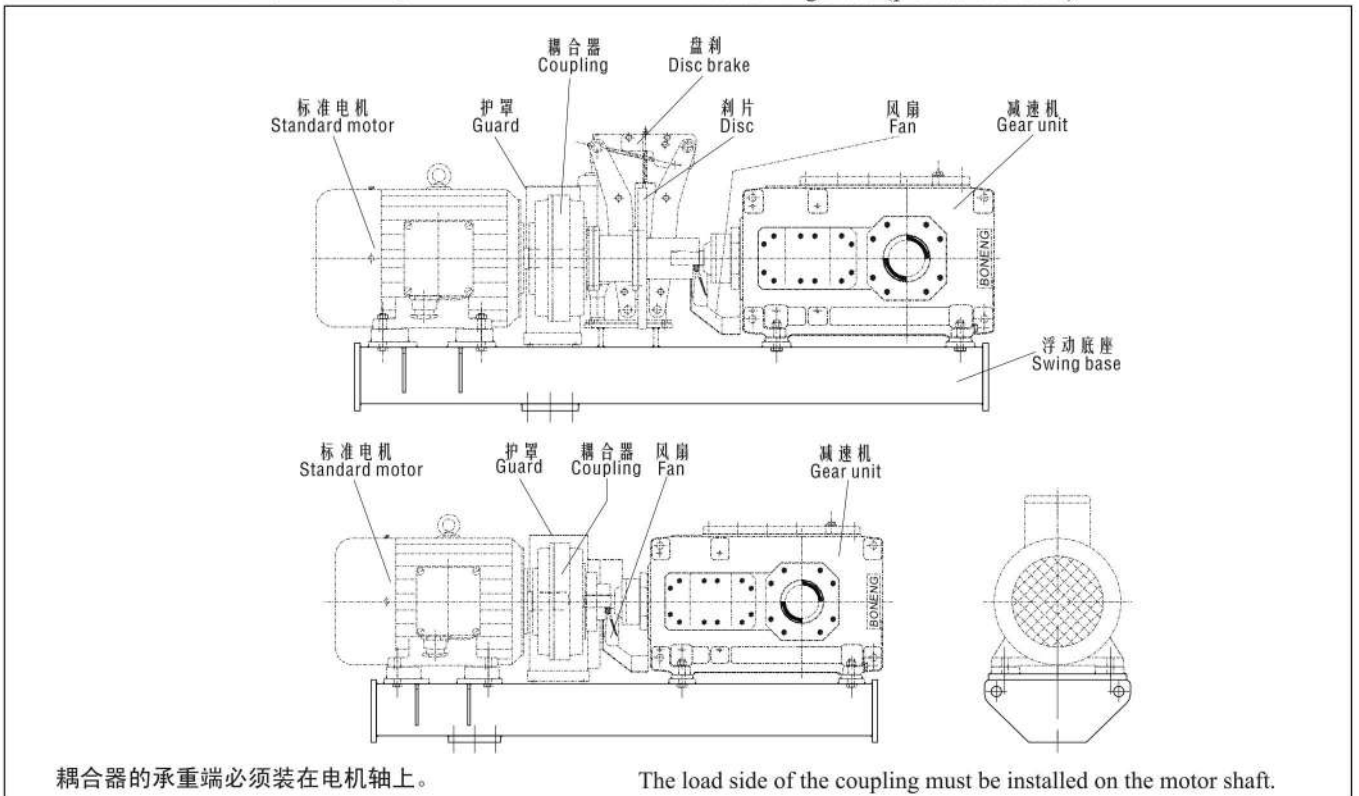
11.8 扭力臂式安装(附件代号:T61)

11.8 Torque arm-mounted (Accessory code: T61):



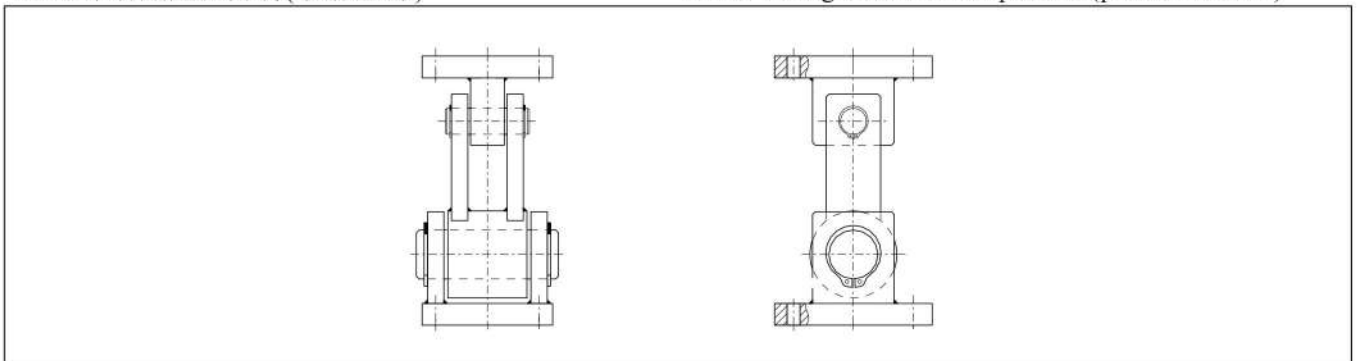
11.9 齿轮箱浮动底座(敬请垂询)

11.9 Swing base (please consult)



11.10 浮动底座扭力臂(敬请垂询)

11.10 Swing base with torque arm (please consult)

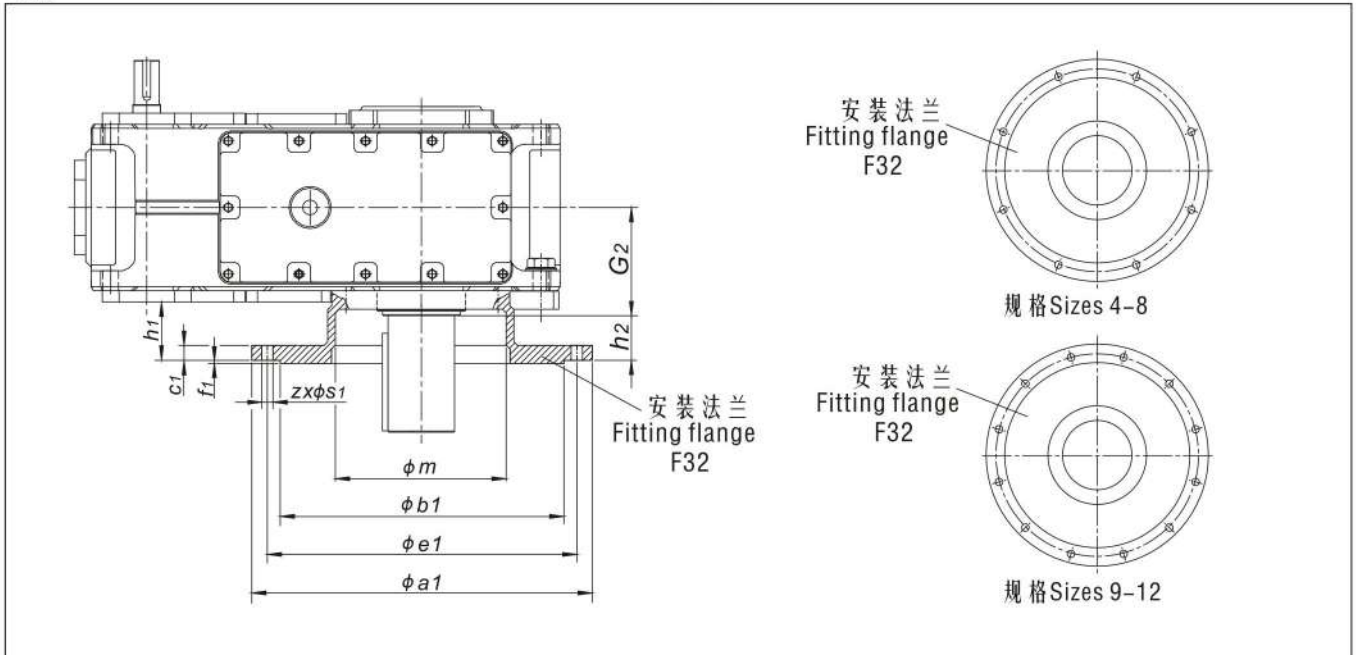


11.11 安装法兰(附件代号:F32)

规格 4-12

11.11 Fitting flange (Accessory code: F32)

Sizes 4-12



规格 Size	a1	b1	c1	e1	f1	h1	h2	mmax	ZXS1	附加重量 Add.weight kg	G2	
											H2,H3,H4,B3,B4	B2
4	450	350f7	24.5	400	5	82.5	50	205	8x17.5	40	140	170
5	550	450f7	25	500	5	90	52.5	245	8x17.5	60	165	200
6	550	450f7	25	500	5	90	52.5	245	8x17.5	65	165	200
7	660	550f7	25	600	5	135	90	290	8x22	90	195	235
8	660	550f7	30	600	5	135	90	315	8x22	100	195	235
9	660	550f7	29	600	6	134	84	325	12x22	110	235	270
10	660	550f7	34	600	6	134	84	355	12x26	120	235	270
11	800	680f7	44	740	6	184	129	420	12x26	210	270	320
12	800	680f7	44	740	6	184	129	435	12x26	220	270	320

注:  $T_{2max} \leq T_{2N} / f$

Note:  $T_{2max} \leq T_{2N} / f$

说明:

- 1 可采用的布置形式参见表2, 若需带逆止器或泵请垂询。
- 2 H系列齿轮箱且布置形式为C或D, 若需带电机安装法兰或冷却风扇请垂询。

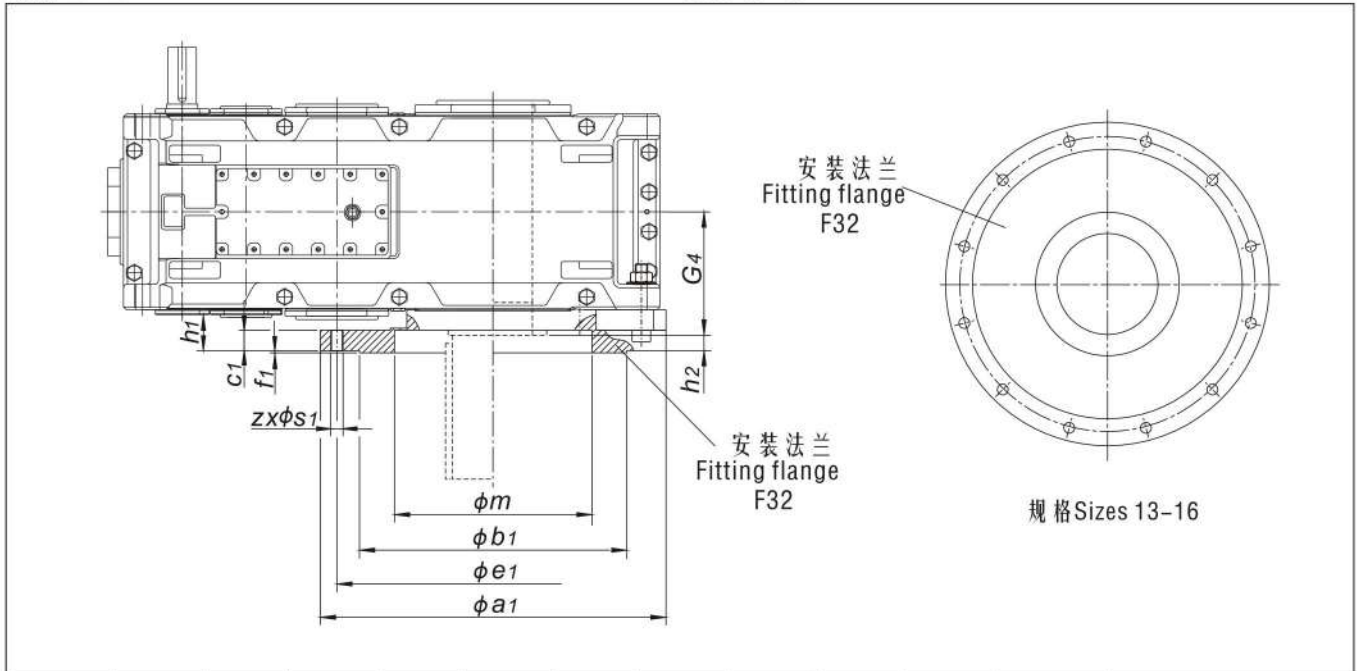
Note:

1. Please refer to Table 2 for available designs. Backstop and pump on request.
2. Please consult BONENG when adding motor, fitting flange or fan to H series gear units with design C or D.

规格 Size	4	5	6	7	8	9	10	11	12
H2、H3、H4、B3、B4	1.1	1.2	1.6	1.2	1.4	1.3	1.5	1.3	1.4
B2	1.0	1.0	1.3	1.0	1.2	1.1	1.3	1.1	1.2

规格 Size	H2.H	H2.V	H3.H,H4.H,B2.H,B3.H,B4.H	H3.V,H4.V,B2.V,B3.V,B4.V
4-9	A+B	B	A+B+C+D	B+C
10	A+B+C+D	B+C	A+B+C+D	B+C
11	A+B	B	A+B+C+D	B+C
12	A+B+C+D	B+C	A+B+C+D	B+C





类型 Type	规格 Size	a1	b1	c1	e1	f1	h1	h2	mmax	ZXS1	附加重量 Add.weight kg	G2/G4	
												H2,H3,H4,B3,B4	B2
..S.	13	840	650	50	760	5	100	37.5	450	12XM30	245	335	390
..D., ..H.													
..S	14	840	650	50	760	5	100	37.5	480	12XM30	255	335	390
..D., ..H.													
..S	15	960	750	50	880	5	100	30	530	16XM30	315	380	460
..D., ..H.													
..S	16	960	750	50	880	5	100	30	540	16XM30	320	380	460
..D., ..H.													

注:  $T_{2max} \leq T_{2N} / f$

Note:  $T_{2max} \leq T_{2N} / f$

说明:

- 1 从规格13起只能采用安装方式M, 即不带地脚的箱体。
- 2 可采用的布置形式参见表4, 若需带逆止器或泵请垂询。
- 3 H系列齿轮箱且布置形式为C或D, 若需带电机安装法兰或冷却风扇请垂询。

Note:

1. From Size 13 on, only mounting mode M, i.e. housing without feet, is acceptable.
2. Please refer to Table 4 for available designs. Backstop and pump on request.
3. Please consult BONENG when adding motor, fitting flange or fan to H series gear units with design C or D.

规格 Size	13	14	15	16	规格 Size	13	14	15	16
H2、H3、H4、B3、B4	1.4	1.1	1.4	1.2	B2	1.2	1.0	1.2	1.0

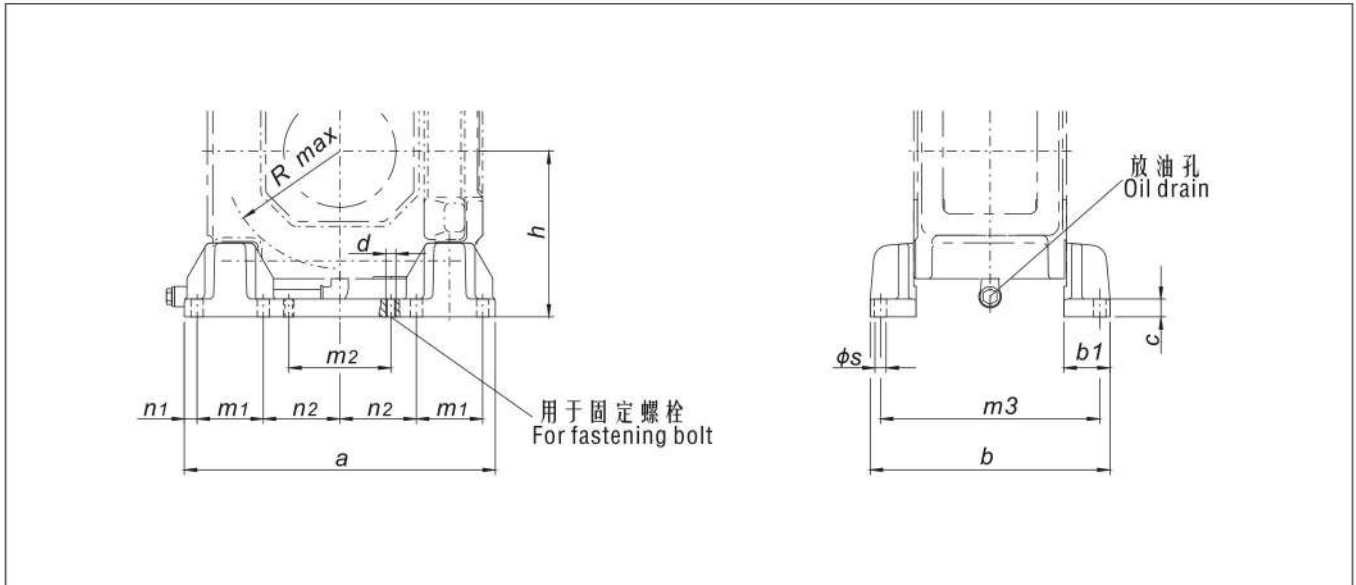
规格 Size	H2.M	H2.V	H3.M,H4.M,B2.M,B3.M,B4.M	H3.V,H4.V,B2.V,B3.V,B4.V
13	A+B	B	A+B+C+D	B+C
14	A+B+C+D	B+C	A+B+C+D	B+C
15*	A+B+C+D	B+C	A+B+C+D	B+C
16*	A+B+C+D	B+C	A+B+C+D	B+C

\* ) 类型B2.., 规格15+16不能采用布置形式A或C.

\* ) For type B2.. with sizes 15+16, design A or C is unaccepted.

11.12 竖直安装底座(附件代号:B32)

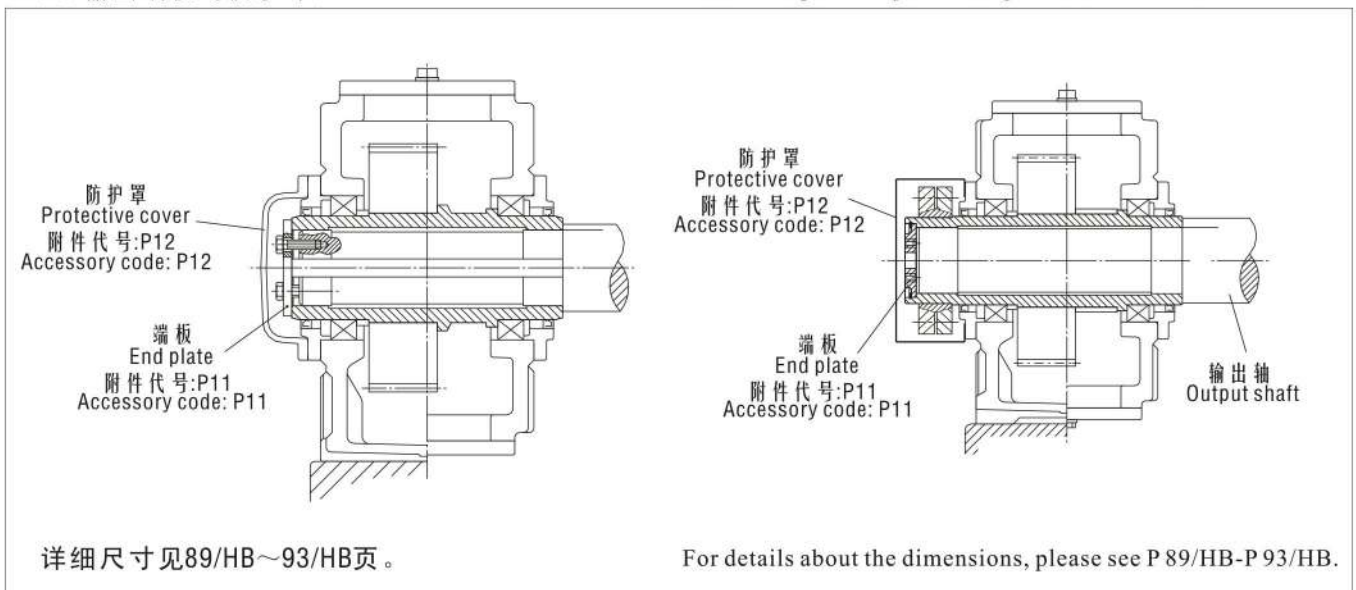
11.12 Vertical mounting base(Accessory code: B32):



规格 Size	H2、H3、H4、B2、B3、B4											H2、H3、H4 B2、B4		B2	
	a	b1	c	4xd	h	m1	m2	n1	n2	8xφs	Rmax	b	m3	b	m3
4	450	75	28	M16	255	110	130	20	95	19	160	355	315	-	-
5	510	75	28	M16	270	110	170	20	125	19	190	395	355	460	420
6					315						220				
7	610	90	35	M20	325	130	200	25	150	24	230	470	420	550	500
8					385						270				
9	710	110	40	M24	380	160	230	30	165	28	260	580	520	650	590
10					430						300				
11	860	120	50	M30	435	190	270	35	205	35	340	660	590	760	690
12					520						380				
13	965	100	60	M30	430	260	230	37.5	185	35	300	745	665	850	770
14					500						360				
15	1060	110	70	M36	505	300	190	45	185	42	350	840	750	980	890
16					550						400				
17	1210	125	80	M42	550	340	250	55	210	48	390	930	820	1125	1015
18					610						440				

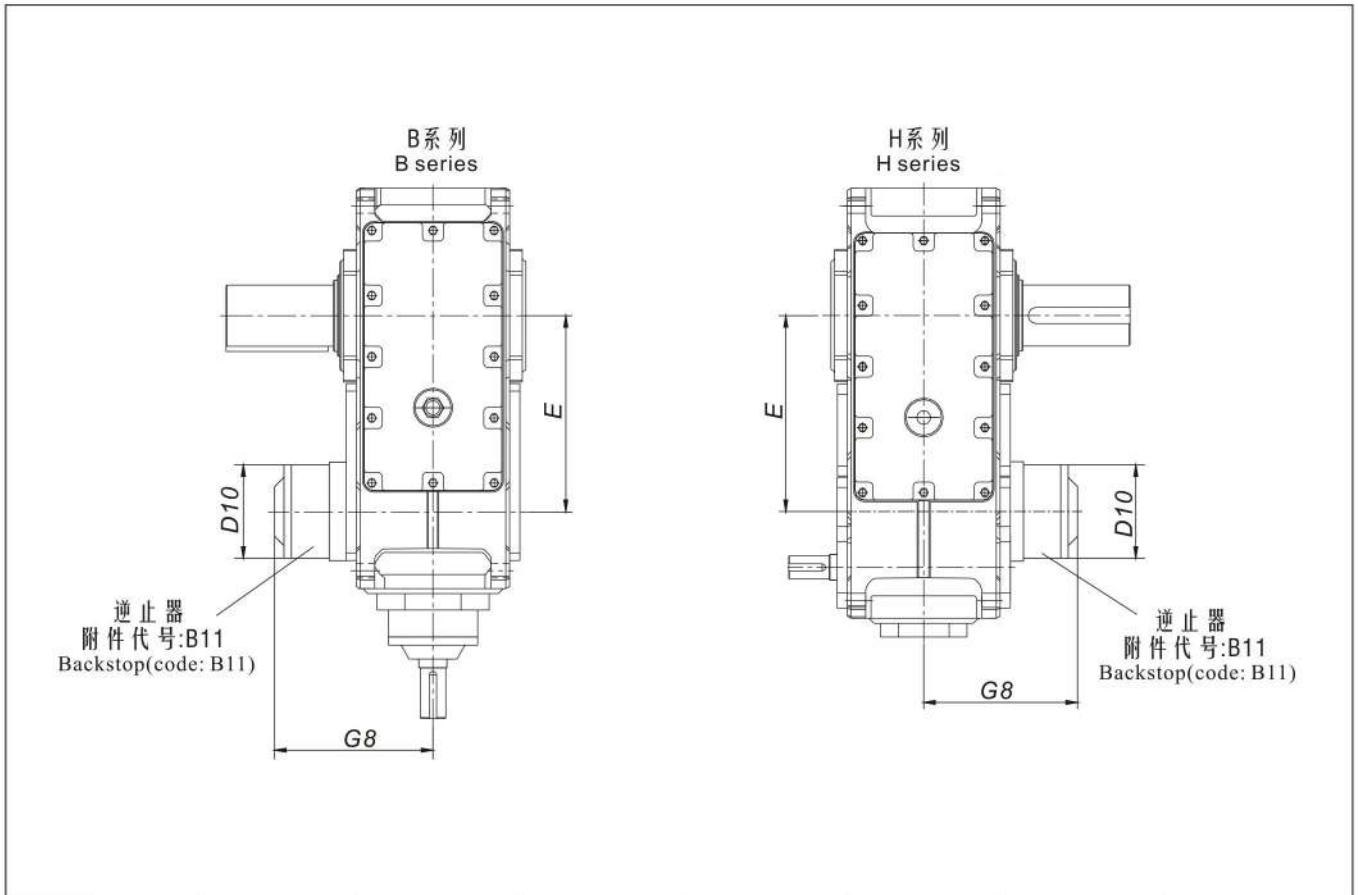
11.13 输出端板与防护罩:

11.13 Output end plate and protective cover:



11.14 逆止器附件(附件代号:B11)

11.14 Backstop(code: B11)



规格 Size	4		5		6		7		8		9		10		11		
	B2	B3/H2	B2	B3/H2 B4/H3	B2	B3/H2 B4/H3	B2	B3、H2/H3 B4/H4	B2	B3、H2/H3 B4/H4	B2	B3、H2/H3 B4/H4	B2	B3、H2/H3 B4/H4	B2	B3,H2/H3	B4/H4
D10	175	125	190	150	190	150	230	175	230	175	270	190	270	190	322	230	175
G8	284	207	323	253	323	253	375	286	375	286	452	331	452	331	497	392	333
E	160	270	185	315	220	350	225	385	270	430	265	450	315	500	320	545	705

规格 Size	12			13			14			15			16			17				18			
	B2	B3,H2/H3	B4/H4	B2	B3 H2/H3	B4/H4	B2	B3 H2/H3	B4/H4	B2	B3,H2/H3	B4/H4	B2	B3,H2/H3	B4/H4	B2	B3/H2	H3	H4/B4	B2	B3/H2	H3	H4/B4
D10	322	230	175	412	270	175	412	270	175	480	322	190	480	322	190	560	412	412	210	560	412	412	210
G8	497	392	333	559	457	391	559	457	391	585	527	487	585	527	487	703	576	534	487	703	576	534	487
E	390	615	775	370	635	820	440	705	890	442	762	987	488	808	1033	490	860	810	1095	550	920	870	1095





11.15 润滑油:

11.15 Oil:

油量表Oil Level (L)

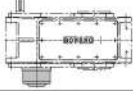
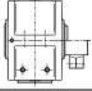
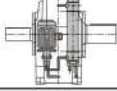
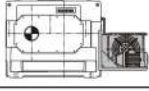
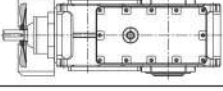
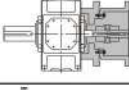
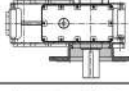

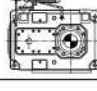
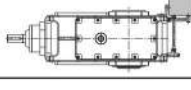
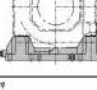

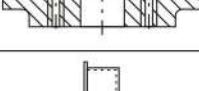

规格 Size	H1.H	H2.H	H3.H	H4.H	B2.H	B3.H	B4.H	H2.V		H3.V		H4.V		B2.V		B3.V		B4.V													
	(1)	(1)	—	—	(1)	—	—	(2)	(3)	(2)	(3)	(2)	(3)	(2)	(3)	(2)	(3)	(2)	(3)												
3	7	—	—	—	—	—	—	—	—	—	—	—	—	—	—	—	—	—	—												
4	—	10	—	—	10	9	—	25	—	—	—	—	—	28	—	28	—	—	—												
5	22	15	15	—	16	14	16	23	10	35	13	—	—	41	20	32	12	36	15												
6	—	16	17	—	19	15	18	27	11	37	15	—	—	50	23	35	13	40	16												
7	42	27	28	25	31	25	30	58	22	60	25	50	20	75	35	52	22	60	30												
8	—	30	30	27	34	28	33	62	25	72	30	60	25	90	38	67	28	70	35												
9	68	42	45	48	48	40	48	100	42	100	40	95	38	115	53	115	48	110	60												
10	—	45	46	50	50	42	50	110	46	110	45	110	45	135	60	125	52	130	67												
11	120	71	85	80	80	66	80	160	60	170	66	165	65	190	86	180	75	180	75												
12	—	76	90	87	95	72	90	180	70	190	75	180	75	215	95	200	85	195	85												
13	175	(1)	H2..M	H3..H	H3..M	H4..H	H4..M	(1)	B2..M	B3..H	B3..M	B4..H	B4..M	80	115	95	100	95	130												
		135	110	160	125	130	120	140	120	130	110	145	120																		
14	—	140	115	165	130	140	125	155	130	140	115	150	125	90	126	105	110	110	150												
15	190	210	160	235	190	230	170	220	180	210	160	230	170	140	180	150	145	165	200												
16	—	215	165	245	195	235	175	230	190	220	165	235	175	150	190	160	160	190	235												
17	270	290	230	305	240	290	225	320	260	290	230	295	230	175	190	190	210	210	215												
18	—	300	240	315	250	305	230	335	275	300	235	305	235	185	200	200	220	240	250												
19	390	320	300	420	390	360	310	—	—	380	360	480	440	—		—		—													
20	—	340	320	450	415	380	330	—	—	440	420	550	510							—		—		—							
21	—	320	350	470	510	395	430	—	—	370	420	540	590													—		—		—	
22	—	340	370	490	540	420	450	—	—	430	490	620	680							—		—		—							
23	—	430	470	620	690	520	500	—	—	520	560	710	790	—		—		—													
24	—	450	500	650	725	550	600	—	—	600	650	810	910													—		—		—	
25	—	600	660	880	970	735	800	—	—	720	790	1000	1110																		
26	—	640	700	935	1030	780	850	—	—	840	920	1100	1200							—		—		—							

注: (1)轴封;(2)浸油润滑;(3)强制润滑;  
 (4)在环境温度-10℃~+40℃时,HB系列润滑油牌号为VG320(ISO粘度等级),附件代号V32。  
 (5)以上数据为平均值。

Note:(1)Shaft seal, (2)Dip lubrication, (3)Forced lubrication.  
 (4)When ambient temperature is -10°C~+40°C,HB series lubricant brand is VG320(ISO viscosity class),accessory code is V32.  
 (5) The data above are mean values.

11.16 附件代号一览表:

11.16 Accessories:

代号 Code	附件 Accessories	示例 Illustrations	页码 Page
B11	逆止器 Backstop		86/HB
C21	内置冷却盘管 Inbuilt cooling coils		78/HB
C22	外置水冷式油冷却器 External water-oil cooler		77/HB
C23	外置风冷式油冷却器 External air-oil cooler		77/HB
F21	冷却风扇 Fan		77/HB
F31	输入连接法兰 Input connection flange		72/HB
F32	安装法兰 Fitting flanges		83/HB
S31	轴端油泵润滑 Shaft end pump		80/HB
S32	电机油泵强制润滑 Motor pump		81/HB
S33	补偿油箱浸油润滑 Oil compensating tank		80/HB
B32	竖直安装底座 Vertical mounting base		85/HB
T61	扭力臂 Torque arm		82/HB
P11	输出端板 End plate		85/HB
P12	防护罩 Protective cover		85/HB

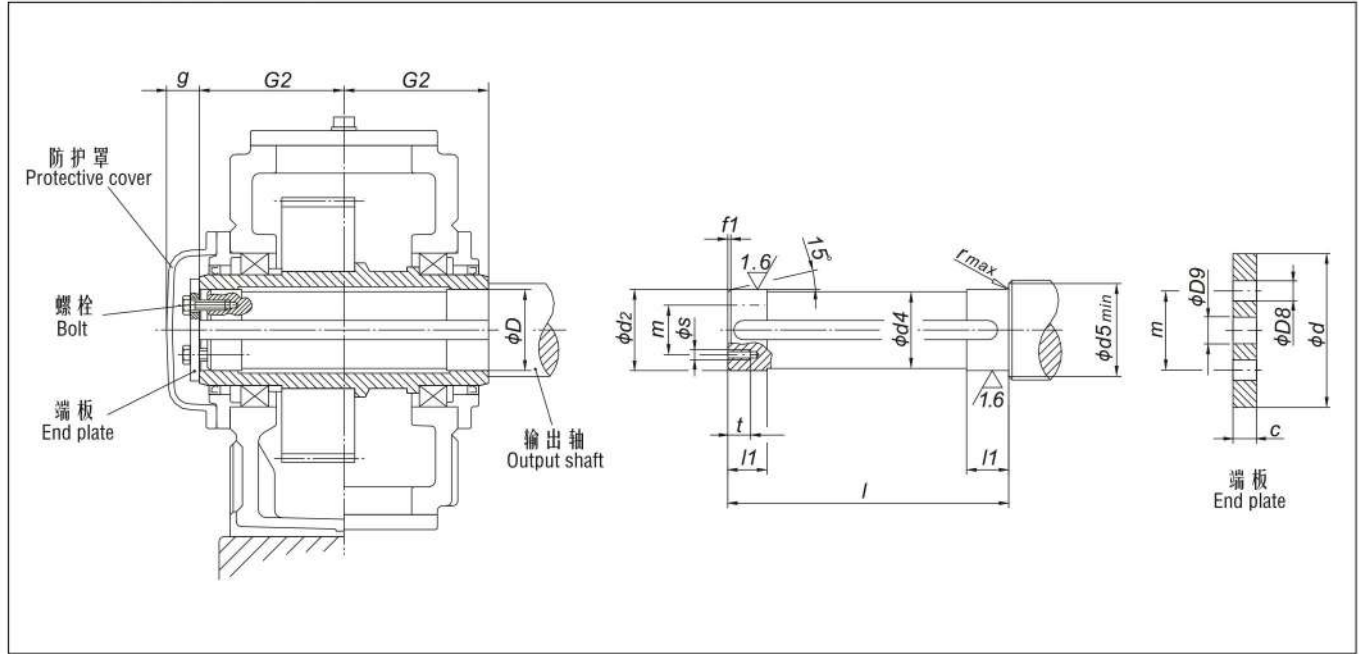
HB

12 建议输出联结尺寸图表:

12 Dimensions for recommended output connections:

12.1 带平键联接的空心轴尺寸图表:

12.1 Hollow shaft with parallel keys:



12.1.1 型号H2H., H3H., H4H., B3H., B4H. (规格4~18):

12.1.1 Types H2H., H3H., H4H., B3H., B4H. (sizes 4-18):

规格 Size	工作机驱动轴 Driven machine shaft									端板 End plate				螺栓 Bolt		空心轴 Hollow shaft			
	d <sub>2</sub>	d <sub>4</sub>	d <sub>5</sub>	f <sub>1</sub>	l	l <sub>1</sub>	r	s	t	c	D <sub>8</sub>	D <sub>9</sub>	d	m	规格 Size	数量 Qty.	D	G <sub>2</sub>	g
4	80h6	79.5	88	4	278	35	1.2	M 10	18	10	11	22	100	60	M 10 x 25	2	80H7	140	35
5	95h6	94.5	105	5	328	40	1.6	M 10	18	10	11	26	120	70	M 10 x 25	2	95H7	165	40
6	105h6	104.5	116	5	328	45	1.6	M 10	18	10	11	26	120	70	M 10 x 25	2	105H7	165	40
7	115h6	114.5	126	5	388	50	1.6	M 12	20	12	13.5	26	140	80	M 12 x 30	2	115H7	195	40
8	125h6	124.5	136	6	388	55	2.5	M 12	20	12	13.5	26	150	85	M 12 x 30	2	125H7	195	40
9	135h6	134.5	147	6	467	60	2.5	M 12	20	12	13.5	33	160	90	M 12 x 30	2	135H7	235	45
10	150h6	149.5	162	6	467	65	2.5	M 12	20	12	13.5	33	185	110	M 12 x 30	2	150H7	235	45
11	165h6	164.5	177	7	537	70	2.5	M 16	28	15	17.5	33	195	120	M 16 x 40	2	165H7	270	45
12	180h6	179.5	192	7	537	75	2.5	M 16	28	15	17.5	33	220	130	M 16 x 40	2	180H7	270	45
13	190h6	189.5	206	7	667	80	3	M 16	28	18	17.5	33	230	140	M 16 x 40	2	190H7	335	45
14	210h6	209.5	226	8	667	85	3	M 16	28	18	17.5	33	250	160	M 16 x 40	2	210H7	335	45
15	230h6	229.5	248	8	756	100	3	M 20	38	25	22	39	270	180	M 20 x 55	4	230H7	380	60
16	240h6	239.5	258	8	756	100	3	M 20	38	25	22	39	280	180	M 20 x 55	4	240H7	380	60
17	250h6	249.5	270	8	826	110	4	M 20	38	25	22	39	300	190	M 20 x 55	4	250H7	415	60
18	275h6	274.5	295	9	826	120	4	M 20	38	25	22	39	330	210	M 20 x 55	4	275H7	415	60

12.1.2 型号 B2H.(规格4~18)

12.1.2 Types B2H. (sizes 4-18):

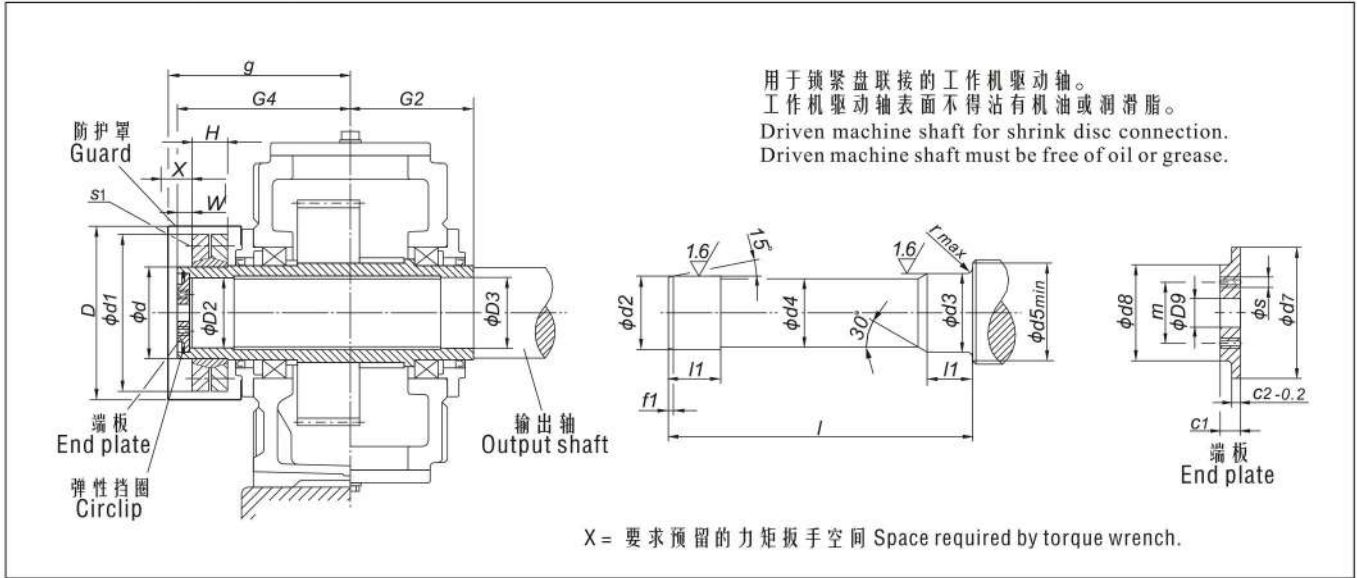
规格 Size	工作机驱动轴 Driven machine shaft									端板 End plate				螺栓 Bolt		空心轴 Hollow shaft			
	d <sub>2</sub>	d <sub>4</sub>	d <sub>5</sub>	f <sub>1</sub>	l	l <sub>1</sub>	r	s	t	c	D <sub>8</sub>	D <sub>9</sub>	d	m	规格 Size	数量 Qty.	D	G <sub>2</sub>	g
4	80h6	79.5	88	4	338	35	1.2	M 10	18	10	11	22	100	60	M 10 x 25	2	80H7	170	35
5	95h6	94.5	105	5	398	40	1.6	M 10	18	10	11	26	120	70	M 10 x 25	2	95H7	200	40
6	105h6	104.5	116	5	398	45	1.6	M 10	18	10	11	26	120	70	M 10 x 25	2	105H7	200	40
7	115h6	114.5	126	5	468	50	1.6	M 12	20	12	13.5	26	140	80	M 12 x 30	2	115H7	235	40
8	125h6	124.5	136	6	468	55	2.5	M 12	20	12	13.5	26	150	85	M 12 x 30	2	125H7	235	40
9	135h6	134.5	147	6	537	60	2.5	M 12	20	12	13.5	33	160	90	M 12 x 30	2	135H7	270	45
10	150h6	149.5	162	6	537	65	2.5	M 12	20	12	13.5	33	185	110	M 12 x 30	2	150H7	270	45
11	165h6	164.5	177	7	637	70	2.5	M 16	28	15	17.5	33	195	120	M 16 x 40	2	165H7	320	45
12	180h6	179.5	192	7	637	75	2.5	M 16	28	15	17.5	33	220	130	M 16 x 40	2	180H7	320	45
14	210h6	209.5	226	8	777	85	3	M 16	28	18	17.5	33	250	160	M 16 x 40	2	210H7	390	45
16	240h6	239.5	258	8	896	100	3	M 20	38	25	22	39	280	180	M 20 x 55	4	240H7	450	60
18	275h6	274.5	295	9	1016	120	4	M 20	38	25	22	39	330	210	M 20 x 55	4	275H7	510	60

- 1) 工作机驱动轴材质: 40Cr或强度更高的钢。
- 2) 工作机驱动轴及平键不在我们的供货范围之内。如果需要的话, 请另订货。

- 1) Material of driven machine shaft: 40Cr or higher strength steel.
- 2) Driven machine shaft and parallel keys don't belong to the scope of our supply. Please order separately, if required.

12.2 带锁紧盘联接的空心轴尺寸图表:

12.2 Hollow shaft with shrink disc:



12.2.1 类型H2D., H3D., H4D., B3D., B4D. (规格 4 ~ 22)

12.2.1 Type H2D., H3D., H4D., B3D., B4D. (Size 4 ~ 22)

规格 Size	工作机驱动轴 Driven machine shaft 2)													端板 End plate				弹性 挡圈 Circlip	空心轴 Hollow shaft				锁紧盘 Shrink disk 1)				螺栓 Bolt	防护罩 Guard	
	d <sub>2</sub>	d <sub>3</sub>	d <sub>4</sub>	d <sub>5</sub>	f <sub>1</sub>	l	l <sub>1</sub>	r	c <sub>1</sub>	c <sub>2</sub>	d <sub>7</sub>	d <sub>8</sub>	D <sub>9</sub>	m	s	数量 Qty.	D <sub>2</sub>		D <sub>3</sub>	G <sub>2</sub>	G <sub>4</sub>	Type	d	d <sub>1</sub>	H	W			s <sub>1</sub>
4	85 g6	85 h6	84.5	95	4	326	48	2	17	7	90	70	22	50	M 8	2	90	85H7	85	140	205	SP2-110	110	185	49	20	M 12	235	220
5	100 g6	100 h6	99.5	114	5	383	53	2	20	8	105	80	26	55	M 10	2	105	100H7	100	165	240	SP2-125	125	215	53	20	M 12	275	255
6	110 g6	110 h6	109.5	124	5	383	58	3	20	8	115	85	26	60	M 10	2	115	110H7	110	165	240	SP2-140	140	230	58	20	M 12	285	255
7	120 g6	120 h6	119.5	134	5	453	68	3	20	8	125	90	26	65	M 12	2	125	120H7	120	195	280	SP2-155	155	263	62	23	M 12	330	295
8	130 g6	130 h6	129.5	145	6	458	73	3	20	8	135	100	26	70	M 12	2	135	130H7	130	195	285	SP2-165	165	290	68	23	M 16	340	300
9	140 g6	140 h6	139.5	160	6	539	82	4	23	10	150	110	33	80	M 12	2	150	140H7	140	235	330	SP2-175	175	300	68	28	M 16	360	345
10	150 g6	150 h6	149.5	170	6	559	92	4	23	10	160	120	33	90	M 12	2	160	150H7	150	235	350	SP2-185	185	330	85	28	M 16	395	365
11	165 f6	165 g6	164.5	185	7	644	112	4	23	10	175	130	33	90	M 12	2	175	165H7	165	270	400	SP2-220	220	370	103	30	M 16	435	420
12	180 f6	180 g6	179.5	200	7	649	122	4	23	10	190	140	33	100	M 16	2	190	180H7	180	270	405	SP2-240	240	405	107	30	M 20	450	420
13	190 f6	190 g6	189.5	213	7	789	137	5	23	10	200	150	33	110	M 16	2	200	190H7	190	335	480	SP2-260	260	430	119	30	M 20	500	505
14	210 f6	210 g6	209.5	233	8	784	147	5	28	14	220	170	33	130	M 16	2	220	210H7	210	335	480	SP2-280	280	460	132	30	M 20	525	505
15	230 f6	230 g6	229.5	253	8	899	157	5	28	14	240	180	39	140	M 16	2	240	230H7	230	380	550	SP2-300	300	485	140	35	M 20	575	575
16	240 f6	240 g6	239.5	263	8	899	157	5	28	14	250	190	39	150	M 20	2	250	240H7	240	380	550	SP2-320	320	520	140	35	M 20	595	575
17	250 f6	250 g6	249.5	278	8	982	177	5	30	14	265	200	39	150	M 20	2	265	250H7	250	415	600	SP2-340	340	570	155	35	M 20	615	630
18	280 f6	280 g6	279.5	306	9	982	177	5	30	14	290	210	39	160	M 20	2	290	280H7	280	415	600	SP2-360	360	590	162	35	M 24	635	625
19-26	敬请垂询																	On request											

12.2.2 类型B2D. (规格4 ~ 18)

12.2.2 Type B2D. (Size 4 ~ 18)

规格 Size	工作机驱动轴 Driven machine shaft 2)													端板 End plate				弹性 挡圈 Circlip	空心轴 Hollow shaft				锁紧盘 Shrink disk 1)				螺栓 Bolt	防护罩 Guard	
	d <sub>2</sub>	d <sub>3</sub>	d <sub>4</sub>	d <sub>5</sub>	f <sub>1</sub>	l	l <sub>1</sub>	r	c <sub>1</sub>	c <sub>2</sub>	d <sub>7</sub>	d <sub>8</sub>	D <sub>9</sub>	m	s	数量 Qty.	D <sub>2</sub>		D <sub>3</sub>	G <sub>2</sub>	G <sub>4</sub>	Type	d	d <sub>1</sub>	H	W			s <sub>1</sub>
4	85 g6	85 h6	84.5	95	4	386	48	2	17	7	90	70	22	50	M 8	2	90	85H7	85	170	235	SP2-110	110	185	49	20	M 12	235	250
5	100 g6	100 h6	99.5	114	5	453	53	2	20	8	105	80	26	55	M 10	2	105	100H7	100	200	275	SP2-125	125	215	53	20	M 12	275	285
6	110 g6	110 h6	109.5	124	5	453	58	3	20	8	115	85	26	60	M 10	2	115	110H7	110	200	275	SP2-140	140	230	58	20	M 14	285	285
7	120 g6	120 h6	119.5	134	5	533	68	3	20	8	125	90	26	65	M 12	2	125	120H7	120	235	320	SP2-155	155	263	62	23	M 14	330	335
8	130 g6	130 h6	129.5	145	6	538	73	3	20	8	135	100	26	70	M 12	2	135	130H7	130	235	325	SP2-165	165	290	68	23	M 16	340	340
9	140 g6	140 h6	139.5	160	6	609	82	4	23	10	150	110	33	80	M 12	2	150	140H7	140	270	365	SP2-175	175	300	68	28	M 16	360	380
10	150 g6	150 h6	149.5	170	6	629	92	4	23	10	160	120	33	90	M 12	2	160	150H7	150	270	385	SP2-185	185	330	85	28	M 16	395	400
11	165 f6	165 g6	164.5	185	7	744	112	4	23	10	175	130	33	90	M 12	2	175	165H7	165	320	450	SP2-220	220	370	103	30	M 20	435	470
12	180 f6	180 g6	179.5	200	7	749	122	4	23	10	190	140	33	100	M 16	2	190	180H7	180	320	455	SP2-240	240	405	107	30	M 20	450	470
14	210 f6	210 g6	209.5	233	8	894	147	5	28	14	220	170	33	130	M 16	2	220	210H7	210	390	535	SP2-280	280	460	132	30	M 20	525	555
16	240 f6	240 g6	239.5	263	8	1039	157	5	28	14	250	190	39	150	M 20	2	250	240H7	240	450	620	SP2-320	320	520	140	35	M 24	595	645
18	280 f6	280 g6	279.5	306	9	1177	177	5	30	14	290	210	39	160	M 20	2	290	280H7	280	510	700	SP2-360	360	590	162	35	M 24	635	725

1) 锁紧盘不在我们的供货范围之内。如果需要的话, 请另行订货。  
2) 工作机驱动轴材质: 40Cr或强度更高的钢。工作机驱动轴不在供货范围之内, 但尺寸函索即复。

1) Shrink disk does not belong to our scope of supply. Please order separately, if required.  
2) Material of driven machine shaft: 40Cr or higher strength steel. Driven machine shaft does not belong to our scope of supply. Dimensions on request.

12.3 带花键空心轴尺寸图表:

12.3 Hollow shaft with involute spline:

12.3.1 类型 Types H2K., H3K., H4K., B3K., B4K.:

12.3.1 Types H2K., H3K., H4K., B3K., B4K.:

带花键联接的工作机驱动轴，安装时花键需加注润滑脂  
Driven machine shaft with involute spline must be filled with grease before installation.

端板  
End plate

端板和弹性挡圈在我们的供货范围内  
End plate and circlip belong to the scope of our supply.

带按照DIN332加工的DS型中心孔（螺纹孔）的工作机驱动轴  
Driven machine shaft with DS center hole machined acc. to DIN 332.

类型 Types H2K., H3K., H4K., B3K., B4K.																								
规格 Size	渐开线花键 Involute splines  DIN5480	工作机驱动轴 <sup>1)</sup> Driven machine shaft											端板 End plate						弹性 挡圈 Circlip  数量 Qty	空心轴 Hollow shaft				螺栓 Bolt
		d2	d3	d4	d5	f1	l	l1	l2	r	c1	c2	d7	d8	D9	m	s	D2		D3	G2	g		
5	W95x3x30x30x8f	94.4h11	100h6	93	114	3	308	53	90	2	20	8	105d9	80	26	55	M10	2	105	89H11	100H7	165	40	M24
6	W95x3x30x30x8f	94.4h11	110h6	93	124	3	308	58	90	3	20	8	105d9	80	26	55	M10	2	105	89H11	110H7	165	40	M24
7	W120x3x30x38x8f	119.4h11	120h6	118	134	3	368	68	105	3	20	8	125d9	90	26	65	M12	2	125	114H11	120H7	195	40	M24
8	W120x3x30x38x8f	119.4h11	130h6	118	145	3	368	73	105	3	20	8	125d9	90	26	65	M12	2	125	114H11	130H7	195	40	M24
9	W140x3x30x45x8f	139.4h11	145h6	138	160	3	444	82	125	4	23	10	150d9	110	33	80	M12	2	150	134H11	145H7	235	45	M30
10	W140x3x30x45x8f	139.4h11	155h6	138	170	3	444	92	125	4	23	10	150d9	110	33	80	M12	2	150	134H11	155H7	235	45	M30
11	W170x5x30x32x8f	169h11	170g6	168	185	5	514	112	150	4	23	10	175d9	130	33	90	M12	2	175	160H11	170H7	270	45	M30
12	W170x5x30x32x8f	169h11	185g6	168	200	5	514	122	150	4	23	10	175d9	130	33	90	M12	2	175	160H11	185H7	270	45	M30
13	W190x5x30x36x8f	189h11	195g6	188	213	5	644	137	180	5	23	10	200d9	150	33	110	M16	2	200	180H11	195H7	335	45	M30
14	W190x5x30x36x8f	189h11	215g6	188	233	5	644	147	180	5	23	10	200d9	150	33	110	M16	2	200	180H11	215H7	335	45	M30
15-26	敬请垂询 On request																							

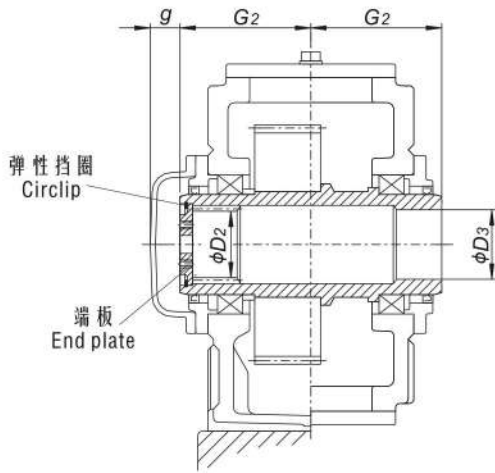
1) 工作机驱动轴材质为40Cr或强度更高的钢材。

1) Material of driven machine shaft: 40Cr or higher strength steel.

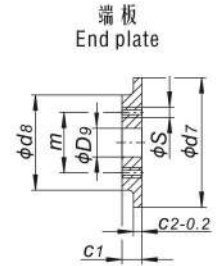
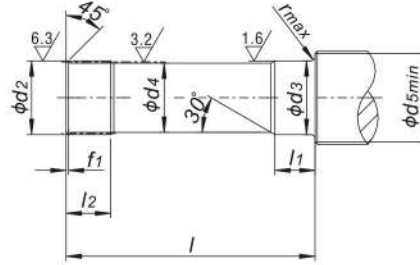


12.3.2 类型 B2K. :

12.3.2 Types B2K. :



带花键联接的工作机驱动轴，安装时花键需加注润滑脂  
Driven machine shaft with involute spline must be filled with grease before installation.



端板和弹性挡圈在我们的供货范围内。  
End plate and circlip belong to the scope of our supply.

带按照DIN332加工的DS型中心孔（螺纹孔）的工作机驱动轴。  
Driven machine shaft with DS center hole (screw hole) machined acc. to DIN 332.

类型/Type B2K.

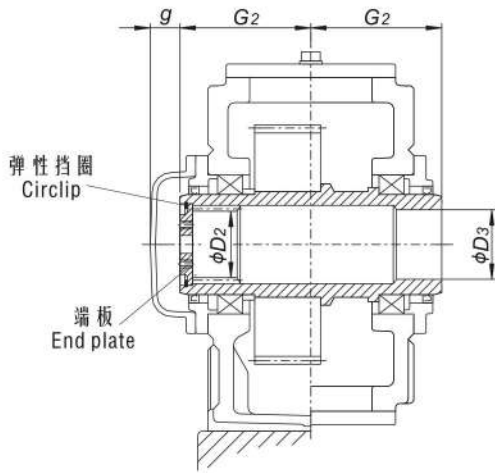
规格 Size	渐开线花键 Involute splines DIN5480	工作机驱动轴 <sup>1)</sup> Driven machine shaft										端板 End plate						弹性 挡圈 Circlip	空心轴 Hollow shaft				螺栓 Bolt	
		d2	d3	d4	d5	f1	l	l1	l2	r	c1	c2	d7	d8	D9	m	s		数量 Qty	D2	D3	G2		g
5	W95x3x30x30x8f	94.4h11	100h6	93	114	3	378	53	90	2	20	8	105d9	80	26	55	M10	2	105	89H11	100H7	200	40	M24
6	W95x3x30x30x8f	94.4h11	110h6	93	124	3	378	58	90	3	20	8	105d9	80	26	55	M10	2	105	89H11	110H7	200	40	M24
7	W120x3x30x38x8f	119.4h11	120h6	118	134	3	448	68	105	3	20	8	125d9	90	26	65	M12	2	125	114H11	120H7	235	40	M24
8	W120x3x30x38x8f	119.4h11	130h6	118	145	3	448	73	105	3	20	8	125d9	90	26	65	M12	2	125	114H11	130H7	235	40	M24
9	W140x3x30x45x8f	139.4h11	145h6	138	160	3	514	82	125	4	23	10	150d9	110	33	80	M12	2	150	134H11	145H7	270	45	M30
10	W140x3x30x45x8f	139.4h11	155h6	138	170	3	514	92	125	4	23	10	150d9	110	33	80	M12	2	150	134H11	155H7	270	45	M30
11	W170x5x30x32x8f	169h11	170g6	168	185	5	614	112	150	4	23	10	175d9	130	33	90	M12	2	175	160H11	170H7	320	45	M30
12	W170x5x30x32x8f	169h11	185g6	168	200	5	614	122	150	4	23	10	175d9	130	33	90	M12	2	175	160H11	185H7	320	45	M30
14/18		敬请垂询 On request																						

1) 工作机驱动轴材质为40Cr或强度更高的钢材。

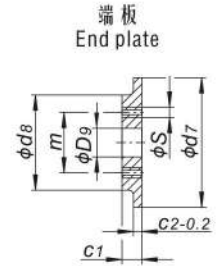
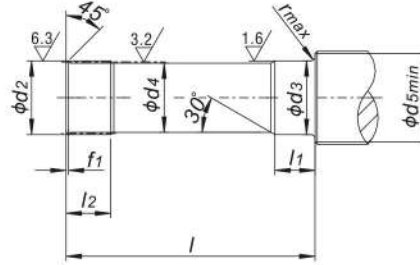
1) Material of driven machine shaft: 40Cr or higher strength steel.

12.3.2 类型 B2K. :

12.3.2 Types B2K. :



带花键联接的工作机驱动轴，安装时花键需加注润滑脂  
Driven machine shaft with involute spline must be filled with grease before installation.



端板和弹性挡圈在我们的供货范围内。  
End plate and circlip belong to the scope of our supply.

带按照DIN332加工的DS型中心孔（螺孔）的工作机驱动轴。  
Driven machine shaft with DS center hole (screw hole) machined acc. to DIN 332.

类型/Type B2K.

规格 Size	渐开线花键 Involute splines DIN5480	工作机驱动轴 <sup>1)</sup> Driven machine shaft										端板 End plate						弹性 挡圈 Circlip	空心轴 Hollow shaft				螺栓 Bolt	
		d2	d3	d4	d5	f1	l	l1	l2	r	c1	c2	d7	d8	D9	m	s		数量 Qty	D2	D3	G2		g
5	W95x3x30x30x8f	94.4h11	100h6	93	114	3	378	53	90	2	20	8	105d9	80	26	55	M10	2	105	89H11	100H7	200	40	M24
6	W95x3x30x30x8f	94.4h11	110h6	93	124	3	378	58	90	3	20	8	105d9	80	26	55	M10	2	105	89H11	110H7	200	40	M24
7	W120x3x30x38x8f	119.4h11	120h6	118	134	3	448	68	105	3	20	8	125d9	90	26	65	M12	2	125	114H11	120H7	235	40	M24
8	W120x3x30x38x8f	119.4h11	130h6	118	145	3	448	73	105	3	20	8	125d9	90	26	65	M12	2	125	114H11	130H7	235	40	M24
9	W140x3x30x45x8f	139.4h11	145h6	138	160	3	514	82	125	4	23	10	150d9	110	33	80	M12	2	150	134H11	145H7	270	45	M30
10	W140x3x30x45x8f	139.4h11	155h6	138	170	3	514	92	125	4	23	10	150d9	110	33	80	M12	2	150	134H11	155H7	270	45	M30
11	W170x5x30x32x8f	169h11	170g6	168	185	5	614	112	150	4	23	10	175d9	130	33	90	M12	2	175	160H11	170H7	320	45	M30
12	W170x5x30x32x8f	169h11	185g6	168	200	5	614	122	150	4	23	10	175d9	130	33	90	M12	2	175	160H11	185H7	320	45	M30
14/18		敬请垂询 On request																						

1) 工作机驱动轴材质为40Cr或强度更高的钢材。

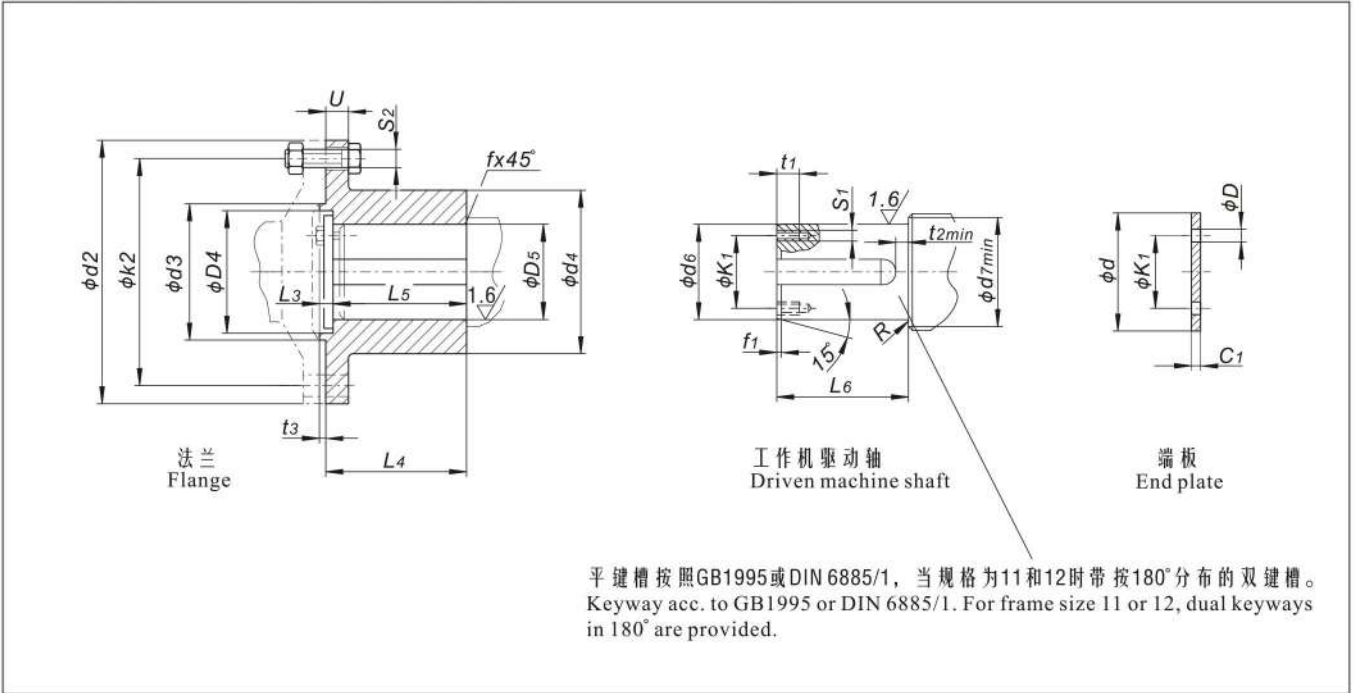
1) Material of driven machine shaft: 40Cr or higher strength steel.

12.4 与法兰轴联接的对接法兰:

12.4.1 类型 Types H2F.、H3F.、H4F.、B2F.、B3F.、B4F.

12.4 Counter flange for flanged shaft:

12.4.1 Types H2F.、H3F.、H4F.、B2F.、B3F.、B4F.



类型/Types H2F.、H3F.、H4F.、B2F.、B3F.、B4F.																
规格 Size	法兰/Flange													螺栓 1)		
	d2	d3 <sup>3)</sup>	d4	D4	D5	f	k2	L3	L4	L5	S2	t3	U	规格 Size	数量 Qty	TA <sup>2)</sup> Nm
5	300	150j6	190	135	110H6	2.5	260	16	175	167	M20	8	25	M20X70	16	610
6	320	160j6	210	145	120H6	2.5	280	22	185	171	M20	8	25	M20X70	18	610
7	370	180j6	230	160	135H6	2.5	320	21	220	207	M24	8	30	M24X90	16	1050
8	390	190j6	270	175	150H6	2.5	340	22	220	206	M24	8	30	M24X90	18	1050
9	430	220j6	290	195	160H6	4.0	380	22	250	238	M24	10	38	M24X100	20	1050
10	470	240j6	310	220	180H6	4.0	420	22	250	238	M24	10	38	M24X100	22	1050
11	510	260j6	340	235	200H6	4.0	450	22	290	278	M30	10	42	M30X120	18	2100
12	540	280j6	360	255	210H6	4.0	480	22	290	278	M30	10	42	M30X120	22	2100

类型/Types H2F.、H3F.、H4F.、B2F.、B3F.、B4F.																
规格 Size	工作机驱动轴 Driven machine shaft								端板 End plate				螺栓 Bolt		重量 Weight kg	
	d6	d7	f1	K1	L6	r	S1	t1	t2	C1	d	D	K1	规格 Size		数量 Qty
5	110p6	122	2.5	80	165	2	M12	28	7.5	10	130	13.5	80	M12X35	4	35
6	120p6	132	2.5	95	169	2	M16	32	7.5	14	140	17.5	95	M16X45	4	45
7	135p6	147	2.5	95	205	2	M16	32	16	14	155	17.5	95	M16X45	4	65
8	150p6	162	2.5	110	204	2	M16	32	16	16	170	17.5	110	M16X45	4	85
9	160p6	176	4.0	110	235	3	M16	32	16	16	190	17.5	110	M16X45	4	115
10	180p6	196	4.0	145	235	3	M20	38	16	18	215	22	145	M20X55	4	130
11	200p6	216	4.0	145	275	3	M20	38	16	18	230	22	145	M20X55	4	175
12	210p6	230	4.0	160	275	3	M20	38	16	18	250	22	160	M20X55	4	200

平键不在供货范围内, 如果需要请另行订购。  
1) 螺栓按照GB/T5780或DIN 931, 性能等级为10.9级  
螺母按照GB/T41DIN 934, 性能等级为10级;  
2) 法兰联接螺栓的拧紧力矩;  
3) 与d3配合孔尺寸公差为H6。

法兰和工作机驱动轴的材质为40Cr或强度更高的钢材。

Parallel keys don't belong to the scope of our supply. Please order separately, if required.

1) Bolt acc. to GB/T5780 or DIN931, performance class 10.9  
Nut acc. to GB/T41 or DIN 934, performance class 10.  
2) Tightening torque for flange connection bolt.  
3) Tolerance for d3 mating hole is H6.

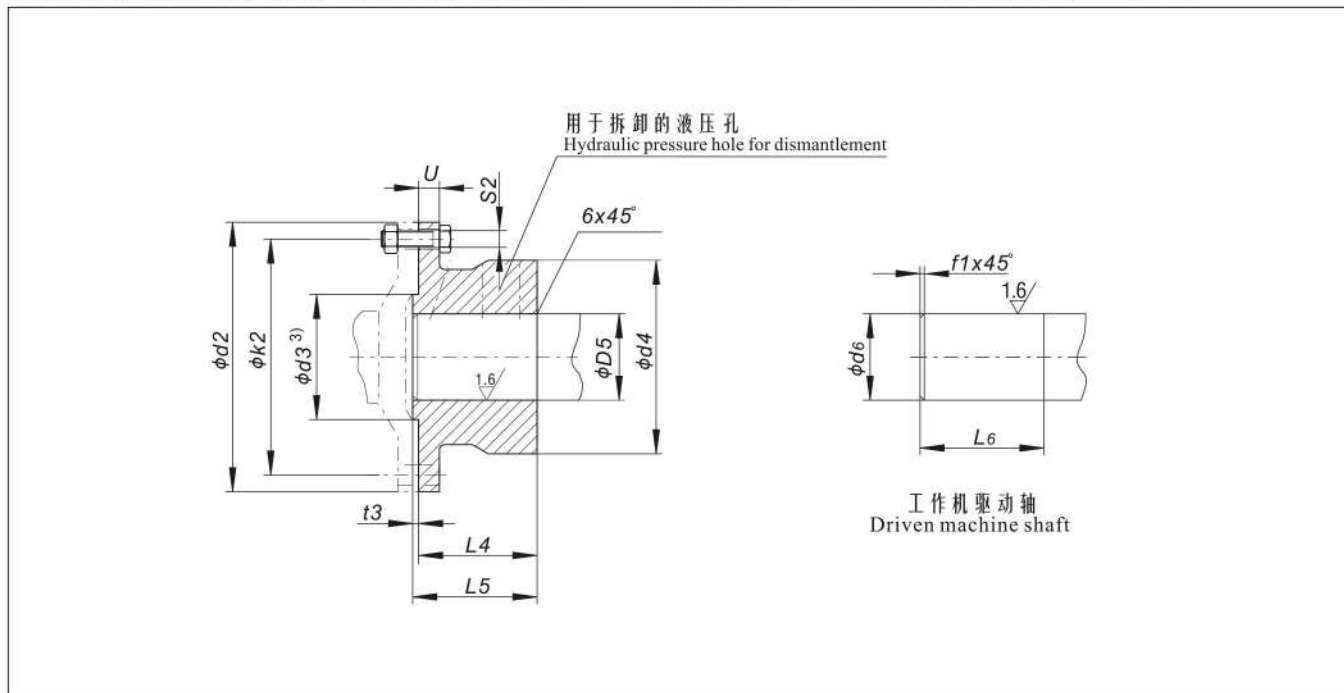
Material of flange and driven machine shaft: 40Cr or higher strength steel.





12.4.2 类型 Types H2F、H3F、H4F、B2F、B3F、B4F.

12.4.2 Types H2F, H3F, H4F, B2F, B3F, B4F.



类型/Types H2F、H3F、H4F、B2F、B3F、B4F.																	
规格 Size	法兰/Flange										螺栓 <sup>1)</sup> Bolt			工作机驱动轴 Driven machine shaft			重量 Weight Kg
	d2	d3 <sup>3)</sup>	d4	D5 <sup>2)</sup>	K2	L4	L5	S2	t3	U	规格 Size	数量 Qty	Ta Nm	d6	f1	L6	
13	580	310j6	390	240H6	500	310	322	M30	12	48	M30X130	20	2100	240v6	3	322	235
14	620	310j6	425	260H6	540	345	357	M30	12	48	M30X130	24	2100	260v6	3	357	300
15	710	360j6	460	280H6	630	365	380	M30	15	55	M30X140	28	2100	280v6	3	380	400
16	740	360j6	480	300H6	660	395	410	M30	15	55	M30X140	30	2100	300v6	4	410	450
17	750	410j6	520	320H6	660	420	436	M36	16	60	M30X160	24	3560	320v6	4	436	540
18	800	410j6	550	340H6	710	450	466	M36	16	60	M30X160	26	3560	340v6	4	466	650
19-26	敬请垂询 On request																

1) 螺栓按照GB/T5780或DIN 931, 性能等级为10.9级。

螺母按照GB/T41或DIN 934, 性能等级为10级。

2) 需要其它尺寸请垂询(如地脚安装就可以采用较小的D5尺寸)。

3) 与d3配合孔尺寸公差为H6。

1) Bolt acc. to GB/T5780 or DIN931, performance class 10.9

Nut acc. to GB/T41 or DIN 934, performance class 10.

2) Other sizes on request.(e.g. smaller D5 for foot-mounting)

3) Tolerance for d3 mating hole is H6.

法兰和工作机驱动轴的材质为40Cr或强度更高的钢材。

对接法兰在装配时应加热至190℃, 工作机驱动轴应在20℃。

Material of flange and driven machine shaft: 40Cr or higher strength steel.

Heat the counter flange to 190℃ when mounting it. 20℃ for driven machine shaft.